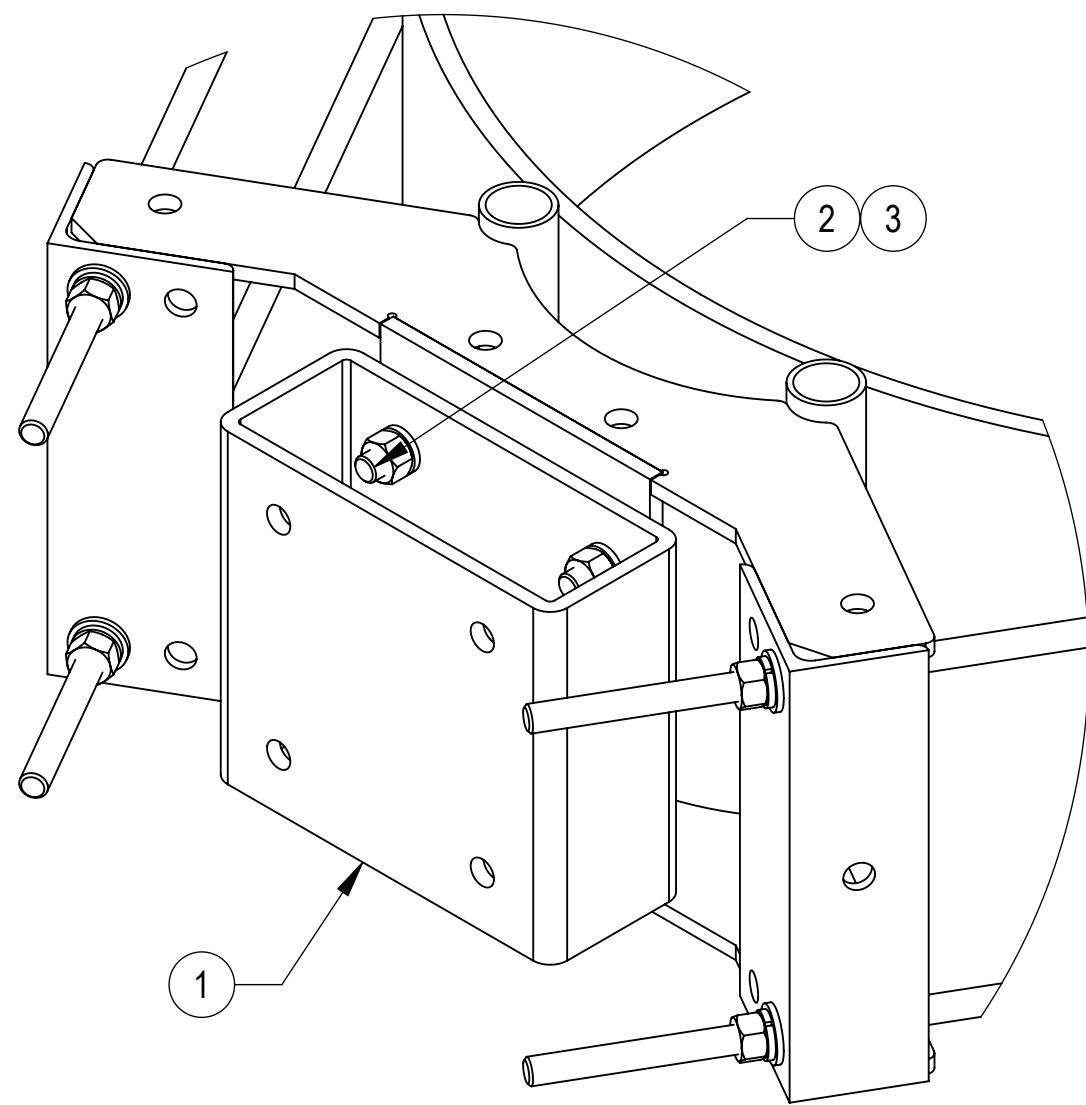
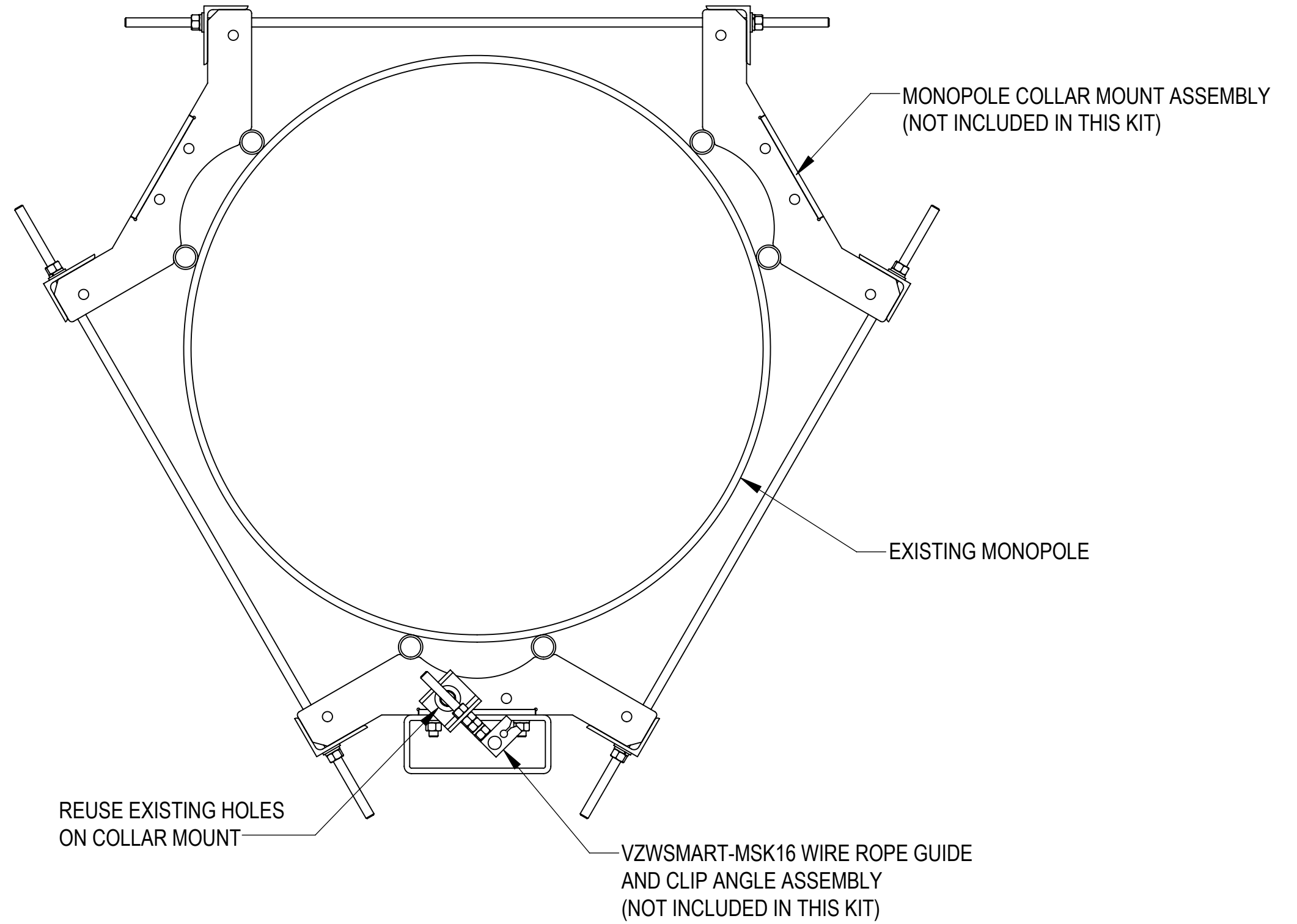
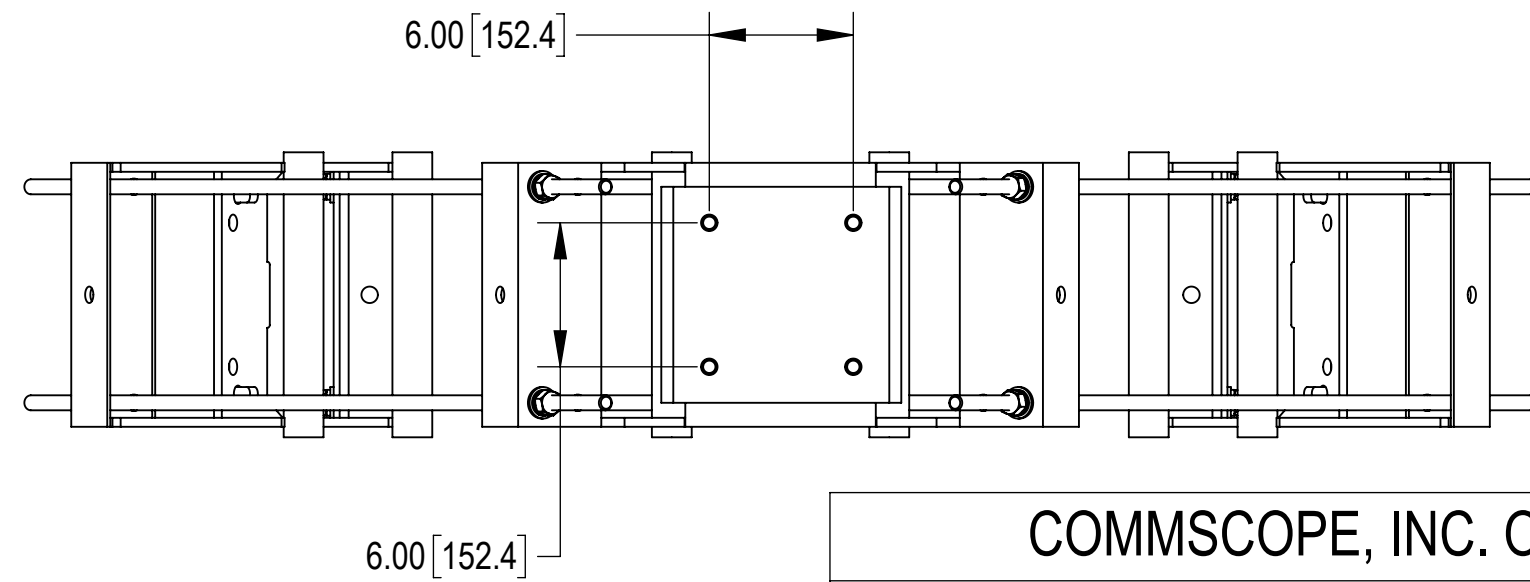


- 1.0 GENERAL NOTES
 1.1 ALL METRIC DIMENSIONS ARE IN BRACKETS [X.X]
 1.2 FOR PATENT INFO: <https://www.cs-pat.com>
 2.0 DESIGN NOTES
 2.1 ANY HAZARDS OR OBSTRUCTIONS TO THE CLIMBING FACILITY AND SAFETY CLIMB MUST BE IDENTIFIED PRIOR TO INSTALLING THE APPURTENANCE. ADDITIONAL PRODUCTS MAY BE REQUIRED TO MAINTAIN THE INTEGRITY OF THE SAFETY CLIMB. DURING INSTALLATION, TEMPORARY AND/OR PERMANENT PRECAUTIONARY MEASURES SHOULD BE TAKEN TO PRESERVE THE CLIMBING FACILITY AND/OR SAFETY CLIMB.
 2.2 FIT ON MONOPOLE COLLAR MOUNT WITH 6" X 6" HOLE SPACING.
 3.0 MANUFACTURING/SPECIAL REQUIREMENTS
 3.1 TIGHTEN ALL BOLTS SECURING FLAT PLATES BY THE TURN-OF-NUT METHOD. TIGHTEN ALL U-BOLTS USING TURN-OF-NUT METHOD WITH ATTENTION TO LEAVE EQUAL DISTANCE AND EQUAL FORCE ON EACH LEG OF THE U-BOLT.
 4.0 TEST
 5.0 PACKAGING
 5.1 PACKAGING SHALL MEET COMMSCOPE REQUIREMENTS PER DOCUMENT IS-PL-3005
 5.2 PRINTED DOCUMENT TO BE PLACED INSIDE POLYBAG AND THEN IN SHIPPING CONTAINER
 5.3 EXTRA HARDWARE MAY BE SUPPLIED, BAGGED AND SHIPPED

REVISIONS			
REV.	DESCRIPTION	DATE	APPROVED
A	INITIAL RELEASE	LS1146 30MAY24	XK1001 40196865CMO



DETAIL ISO VIEW
SCALE 1 : 4



COMMSCOPE, INC. OF NORTH CAROLINA									
TOLERANCES					SAP MATERIAL MASTER				
1 PLACE .X[X] ± 0.1[3.0]			3 PLACE .XXX[X] ± 0.030[0.8]		VZWSMART-PLK11				
2 PLACE .XX[X] ± 0.06[1.5]			ANGLES ± 2°						
FINISH					MATERIAL				
COLLAR MOUNT EXTENSION TUBE									
NAME		DATE		TITLE					
CE LS1146		30MAY24		VZWSMART-PLK11					
RW LS1146		05/30/2024							
AD XK1001		05/30/2024							
RE YMENG		05/30/2024							
ECN 40196865CMO									
SCALE		DOCUMENT NO.							
1:8		VZWSMART-PLK11							
SIZE		Auth Group		INSL		MODEL		DRAWING	
C		⊕		◁		VERSION		STATUS	
00		RE		A		00		RE	
A		A		A		A		A	
SHEET 1 OF 1									

COMPONENT PART NUMBERS PROVIDED FOR ASSEMBLY PURPOSES;
INDIVIDUAL COMPONENTS MAY BE SHIPPED AS PARTS WITHIN AN INCLUDED KIT.

ITEM NO.	PART NUMBER	DESCRIPTION	QTY.	WEIGHT	NOTE NO.
1	TB-10X4-00	TUBE, 10" X 4"	1	24.38 LBS	
2	GB-0520A	5/8" X 2" GALV BOLT KIT (A325)	4	0.26 LBS	INCLUDES BOLT, LOCK WASHER AND NUT
3	GWFO5A	GALV FLAT WASHER HARDENED 5/8", 1.3OD	4	0.04 LBS	

DENSITY	26.02	lbs/in ³
MASS	26.02	lbs
VOLUME	92.33	in ³
SURFACE AREA	548.43	in ²
HEIGHT	9.0"	
LENGTH	10.0"	
WIDTH	4.0"	