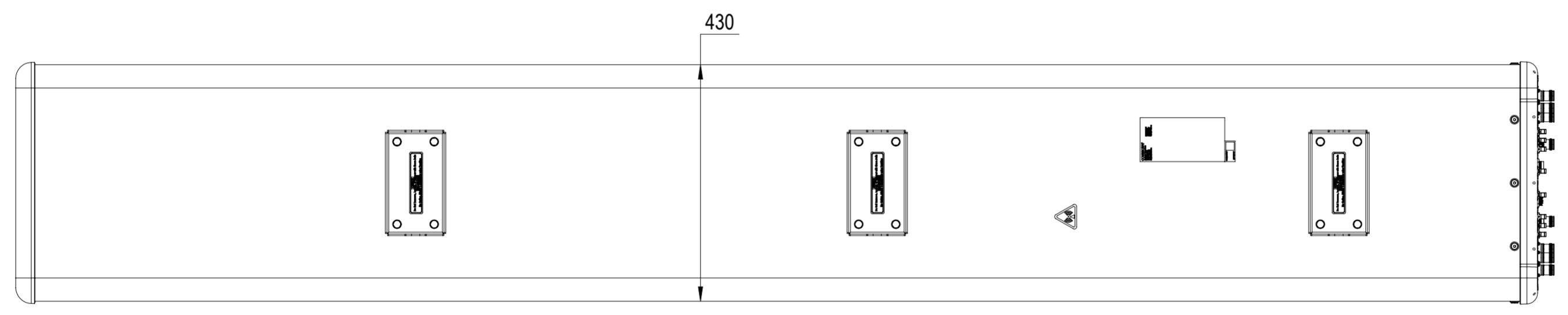
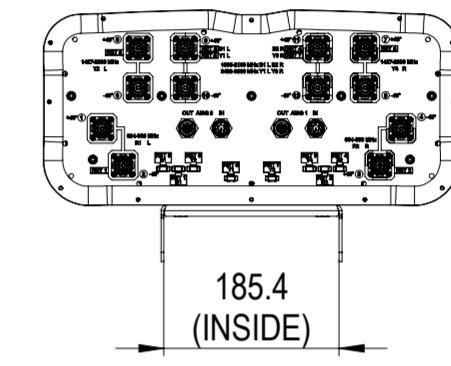
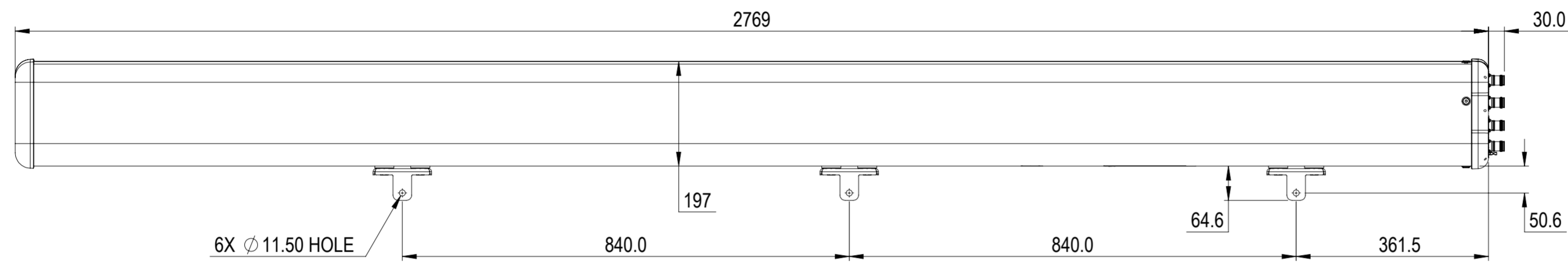


REVISIONS			
REV.	DESCRIPTION	DATE	APPROVED
A	ECR 40170480CMO: RELEASE TO PRODUCTION PER EAO 612191.	25JUL23 YYOU	LBY/X.MEI



RRZZVV-65D-R8N43D

COMMSCOPE, INC. OF NORTH CAROLINA

TOLERANCES		SAP MATERIAL MASTER						
0 PLACE X ±	2 PLACE .XX ±							
1 PLACE .X ±	ANGLES ±							
FINISH		MATERIAL						
<small>UNLESS OTHERWISE SPECIFIED DIMENSIONS ARE IN MILLIMETERS INTERPRET PER ISO STANDARDS HANDBOOK TECHNICAL DRAWINGS VOLUMES 1 & 2, THIRD EDITION (2002)</small>	NAME	DATE	TITLE					
	CE YYOU	07/25/2023	PRODUCT DRAWING					
	RW							
	AD		SCALE: 1:8					
	RE							
ECN		DOCUMENT NO. RRZZVV-65D-R8N43D-L						
SIZE	Auth Group	MODEL	DRAWING					
A2		VERSION	STATUS	REVISION	VERSION	STATUS	REVISION	SHEET
								1 OF 1

DENSITY	g/mm ³
MASS	grams
VOLUME	mm ³
SURFACE AREA	mm ²
HEIGHT	
LENGTH	
WIDTH	