

4

3

2

1

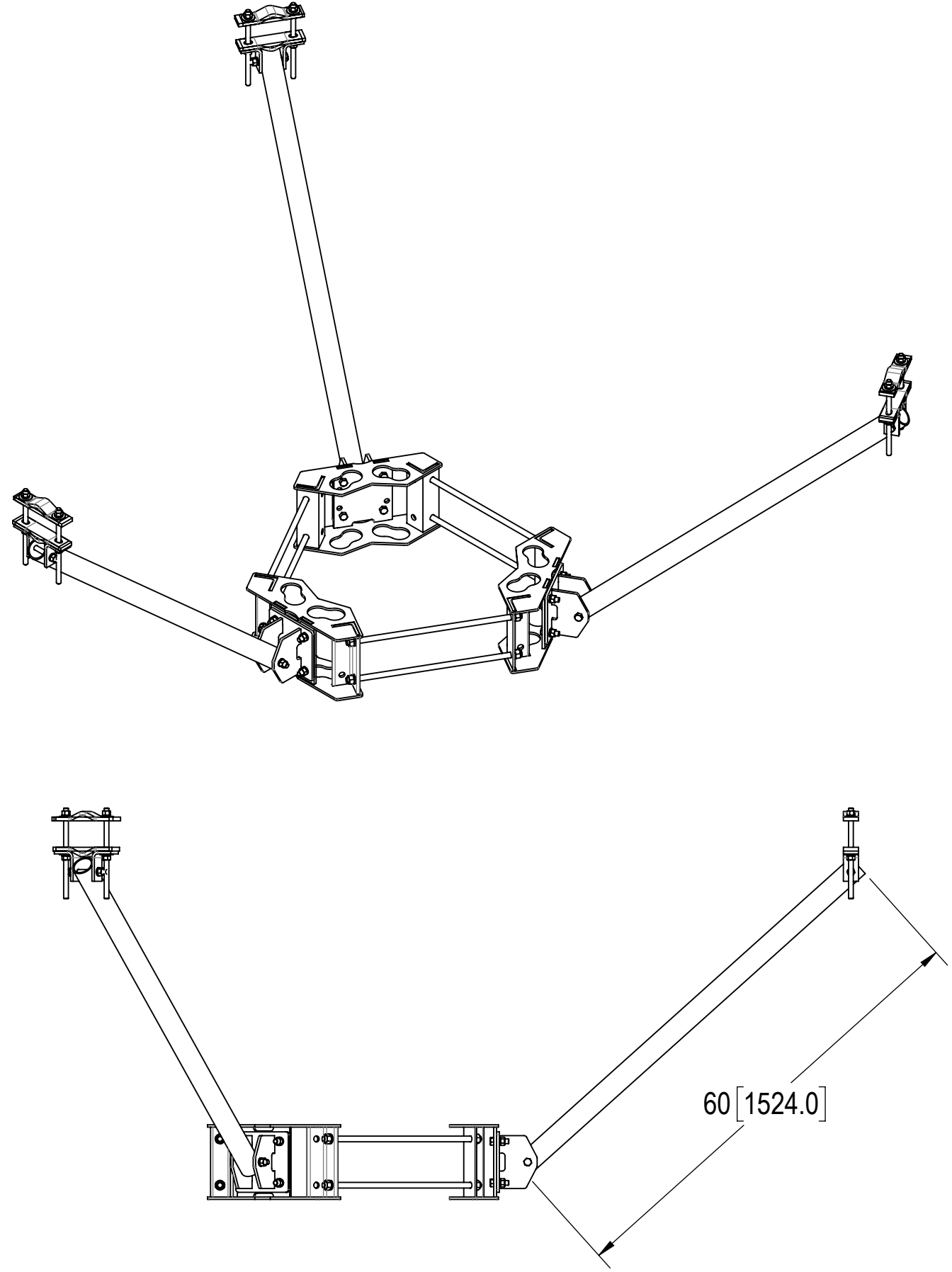
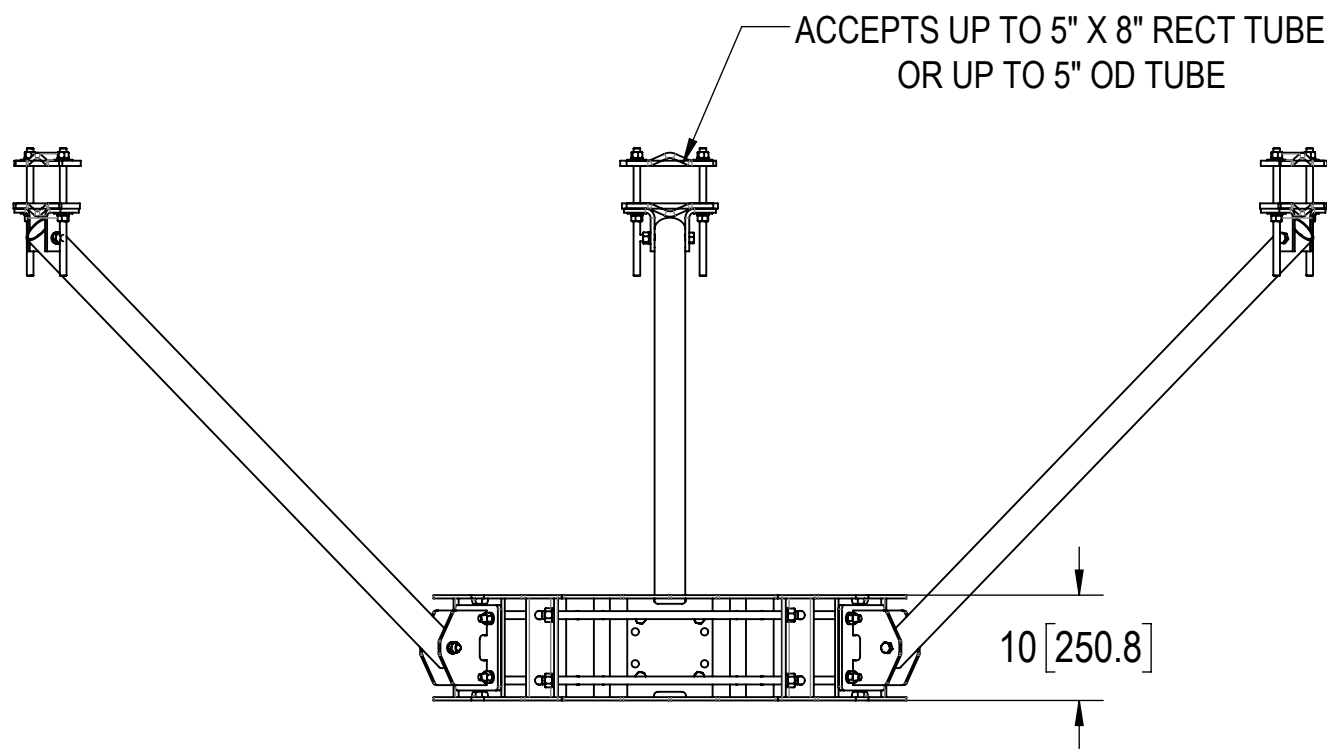
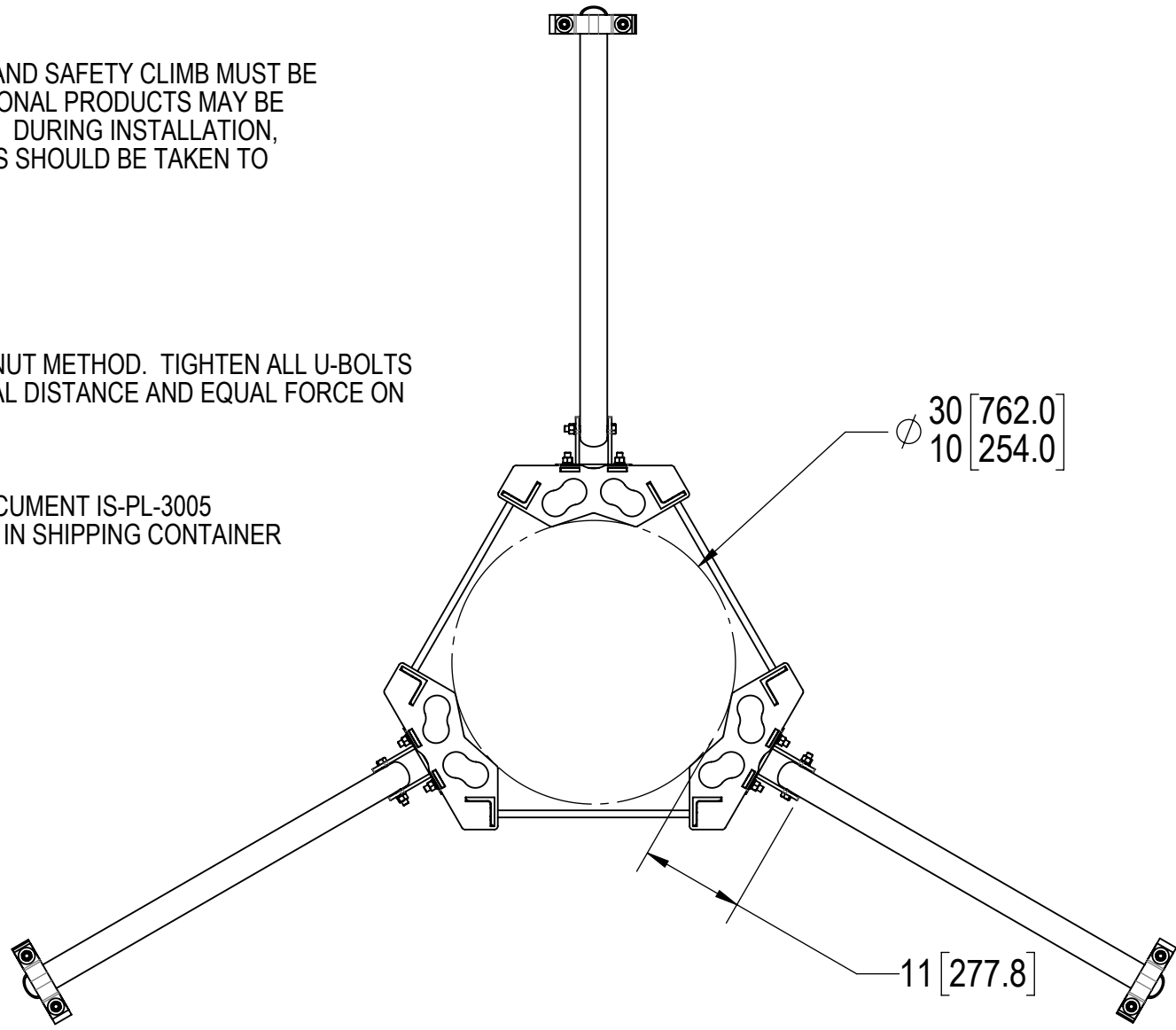
- 1.0 GENERAL NOTES
- 1.1 ALL METRIC DIMENSIONS ARE IN BRACKETS [X.X]
- 1.2 FOR PATENT INFO: <https://www.cs-pat.com>

- 2.0 DESIGN NOTES
- 2.1 ANY HAZARDS OR OBSTRUCTIONS TO THE CLIMBING FACILITY AND SAFETY CLIMB MUST BE IDENTIFIED PRIOR TO INSTALLING THE APPURTENANCE. ADDITIONAL PRODUCTS MAY BE REQUIRED TO MAINTAIN THE INTEGRITY OF THE SAFETY CLIMB. DURING INSTALLATION, TEMPORARY AND/OR PERMANENT PRECAUTIONARY MEASURES SHOULD BE TAKEN TO PRESERVE THE CLIMBING FACILITY AND/OR SAFETY CLIMB.
- 2.2 FITS MONOPOLES 10"- 30" OD.
- 2.3 USE DCP10 FOR ROUND TUBE STAND-OFF ARM.
- 2.4 USE MTC323704 FOR RECTANGLE TUBE STAND-OFF ARM.
- 2.5 CUT THREADED RODS AS NEEDED FOR PROPER LENGTH.

- 3.0 MANUFACTURING/SPECIAL REQUIREMENTS
- 3.1 TIGHTEN ALL BOLTS SECURING FLAT PLATES BY THE TURN-OF-NUT METHOD. TIGHTEN ALL U-BOLTS USING TURN-OF-NUT METHOD WITH ATTENTION TO LEAVE EQUAL DISTANCE AND EQUAL FORCE ON EACH LEG OF THE U-BOLT.

- 4.0 TEST
- 5.0 PACKAGING
- 5.1 PACKAGING SHALL MEET COMMSCOPE REQUIREMENTS PER DOCUMENT IS-PL-3005
- 5.2 PRINTED DOCUMENT TO BE PLACED INSIDE POLYBAG AND THEN IN SHIPPING CONTAINER
- 5.3 EXTRA HARDWARE MAY BE SUPPLIED, BAGGED AND SHIPPED

REVISIONS			
REV.	DESCRIPTION	DATE	APPROVED
A	INITIAL RELEASE	MSM 22SEP14	TP 8000005392
B	MTC306503W WAS MTC306503	RJC 09SEP15	TP 8000009889
C	MT38424 WAS MT38430B7; MT-381 WAS MT-381-8; GB-0550A WAS GB-0546A	YMENG 12APR24	CB1094 40193236CMO



COMMSCOPE, INC. OF NORTH CAROLINA

TOLERANCES		SAP MATERIAL MASTER	
1 PLACE .X[X] ± .12[3.0]	3 PLACE .XXX[X] ± .030[0.8]	RK-60-3S	
2 PLACE .XX[X] ± .06[1.5]	ANGLES ± 2°		
FINISH		MATERIAL	
UNLESS OTHERWISE SPECIFIED DIMENSIONS ARE IN INCHES INTERPRET PER ANSI Y 14.5M-1994		NAME	DATE
		CE MSM	22SEP14
		RW YMENG	04/24/2024
		AD CB1094	04/24/2024
		RE YMENG	04/24/2024
ECN 40193236CMO		SCALE	DOCUMENT NO.
		1:24	RK-60-3S
SIZE	Auth Group	INSL	MODEL
C		VERSION	STATUS
		01	RE
		REVISION	DRAWING
		01	STATUS
		RE	REVISION
		01	RE
		C	C
			SHEET
			1 OF 2

DENSITY	lbs/in ³
MASS	287.91 lbs
VOLUME	5655.55 in ³
SURFACE AREA	26433.46 in ²
HEIGHT	
LENGTH	
WIDTH	

4

3

2

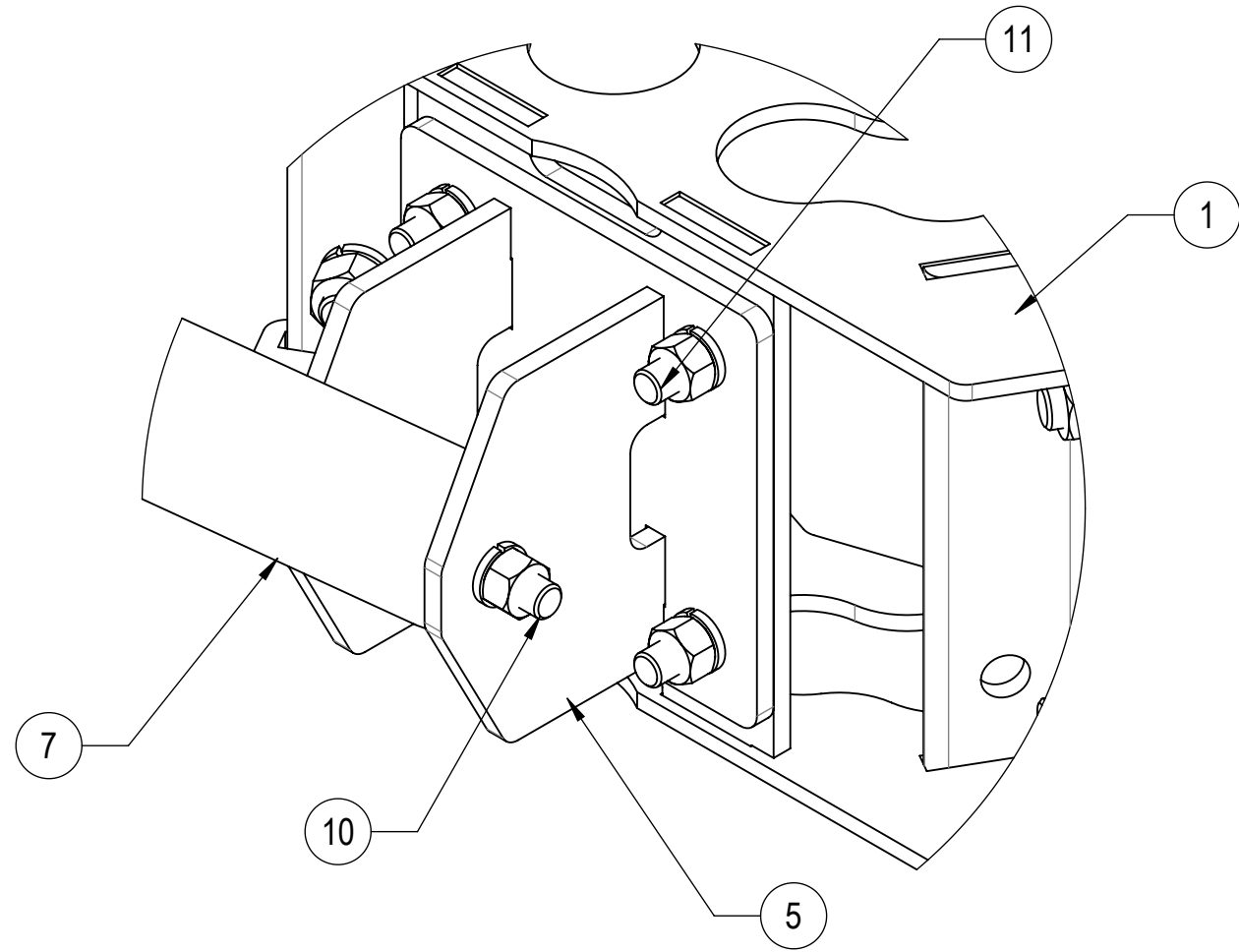
1

4

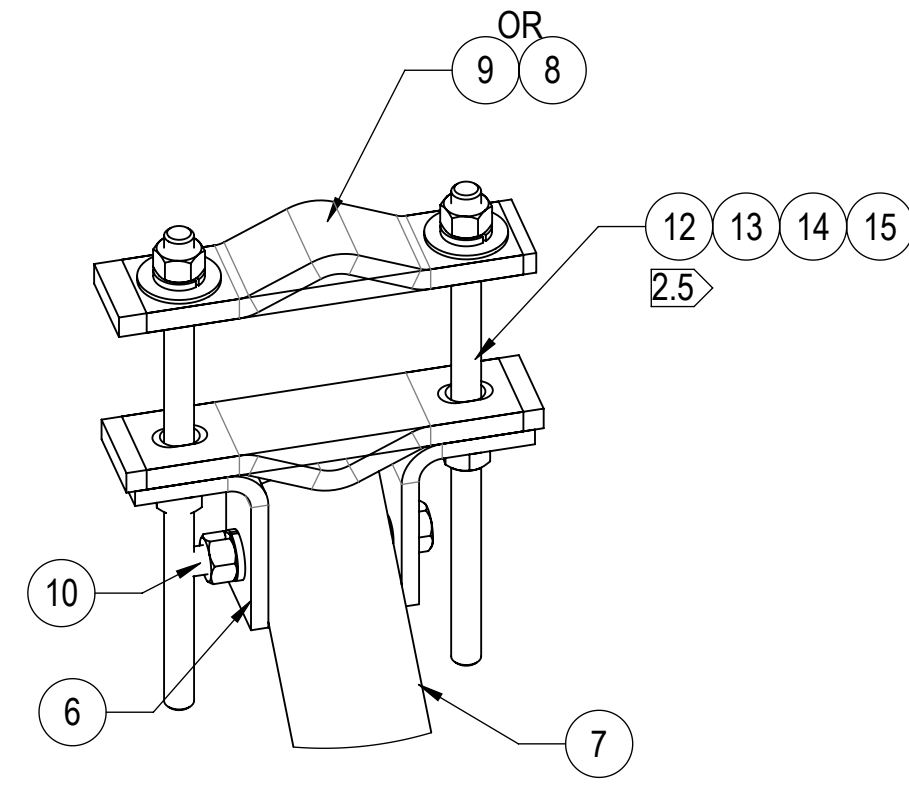
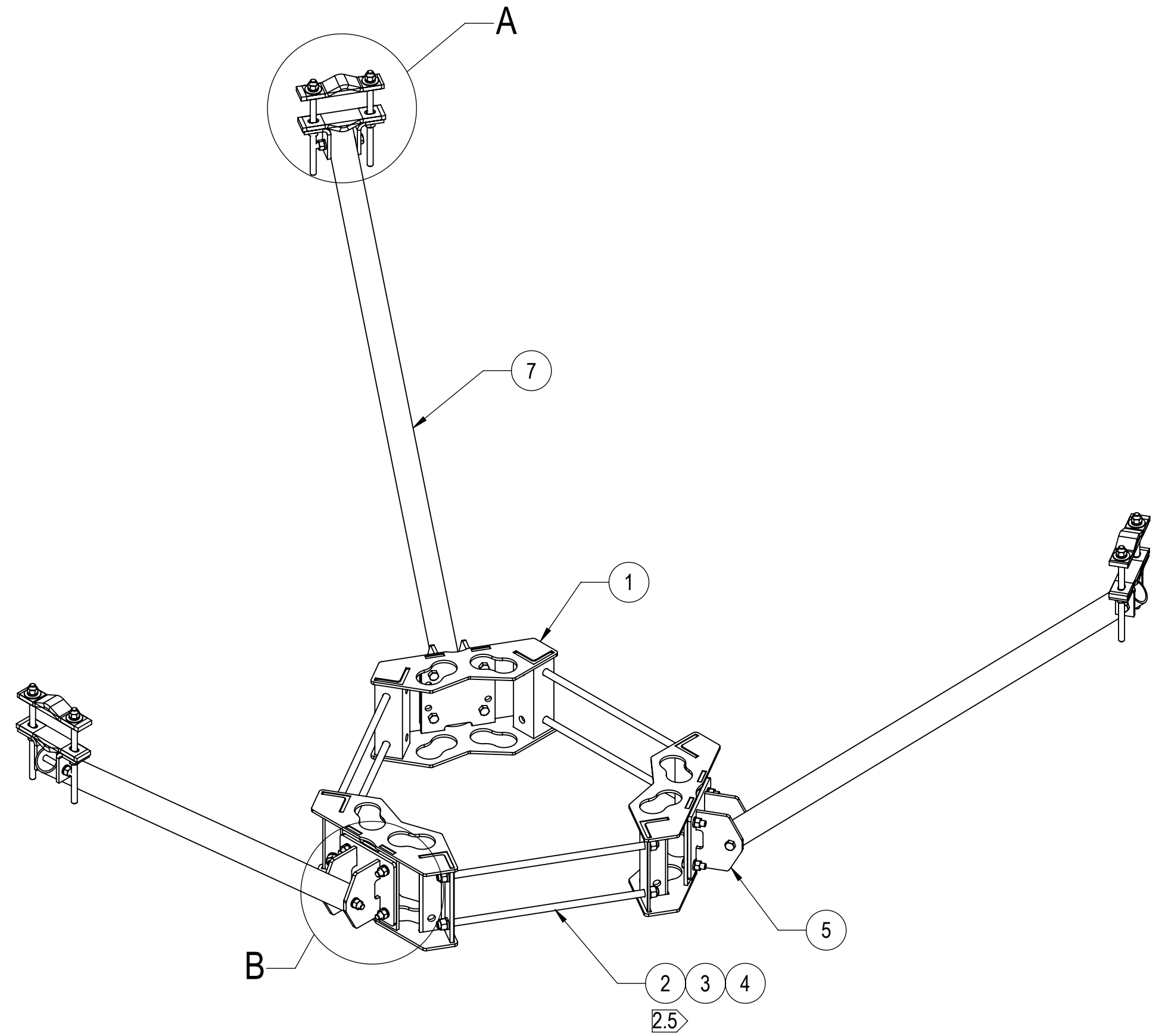
3

2

1



DETAIL B
SCALE 1 : 3



DETAIL A
SCALE 1 : 4

COMPONENT PART NUMBERS PROVIDED FOR ASSEMBLY PURPOSES;
INDIVIDUAL COMPONENTS MAY BE SHIPPED AS PARTS WITHIN AN INCLUDED KIT.

ITEM	PART NO.	DESCRIPTION	QTY.	WEIGHT	NOTE NO.
1	MTC306503W	1030 RINGMOUNT WELDMENT	3	30.93 LBS	
2	MT38424	3/4" X 24" GALV THREADED ROD	6	2.99 LBS	2.5
3	GWL-06	3/4" GALV LOCK WASHER	12	0.04 LBS	
4	GN-06	3/4" GALV HEX NUT	12	0.15 LBS	
5	RK01	KICKER STANDOFF WELDMENT	3	12.54 LBS	
6	RK02	CONNECTION BRACKET	6	1.21 LBS	
7	RK60	KICKER ARM SUPPORT TUBE 5'	3	28.73 LBS	
8	MTC323704	CLAMP BAR	6	2.37 LBS	2.4
9	DCP10	CLAMP HALF:1/2", 11/16" HOLE,5-3/4"	6	2.21 LBS	2.3
10	GB-0550A	5/8" X 5" GALV BOLT KIT (A325)	6	0.52 LBS	
11	GB-0520A	5/8" X 2" GALV BOLT KIT (A325)	12	0.26 LBS	
12	MT-381	5/8" X 12" GALV THREADED ROD	6	1.04 LBS	2.5
13	GWF-05	5/8" GALV FLAT WASHER, 1.7OD	12	0.06 LBS	
14	GWL-05	5/8" GALV LOCK WASHER	12	0.03 LBS	
15	GN-05	5/8" GALV HEX NUT	12	0.08 LBS	

COMMSCOPE, INC. OF NORTH CAROLINA					
TITLE REINFORCEMENT KIT, 3-SEC, 60" ARM, 10-30					
SIZE C	SCALE 1:24	DOCUMENT NO. RK-60-3S			
		DRAWING			SHEET 2 OF 2
		VERSION 01	STATUS RE	REVISION C	