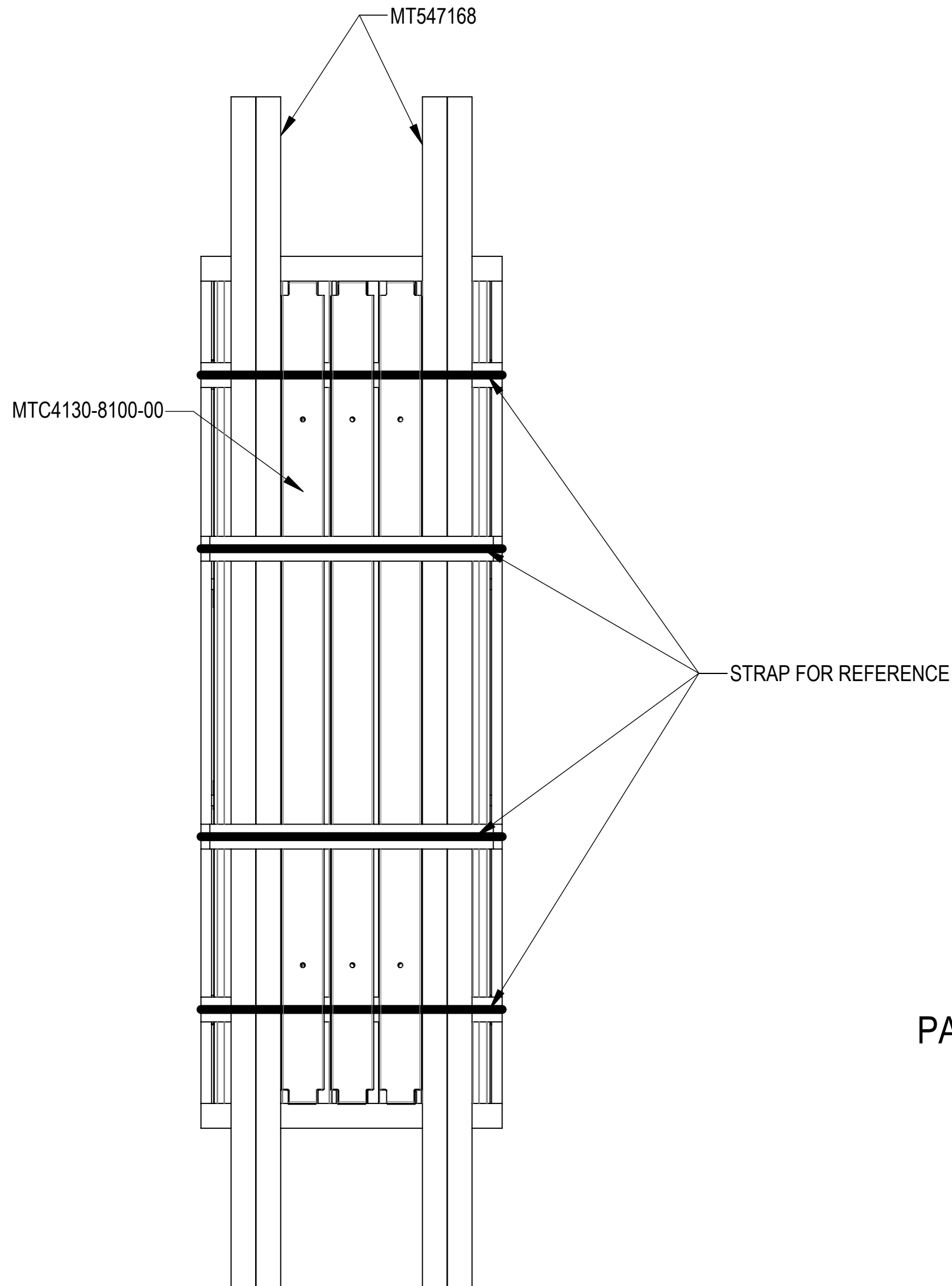
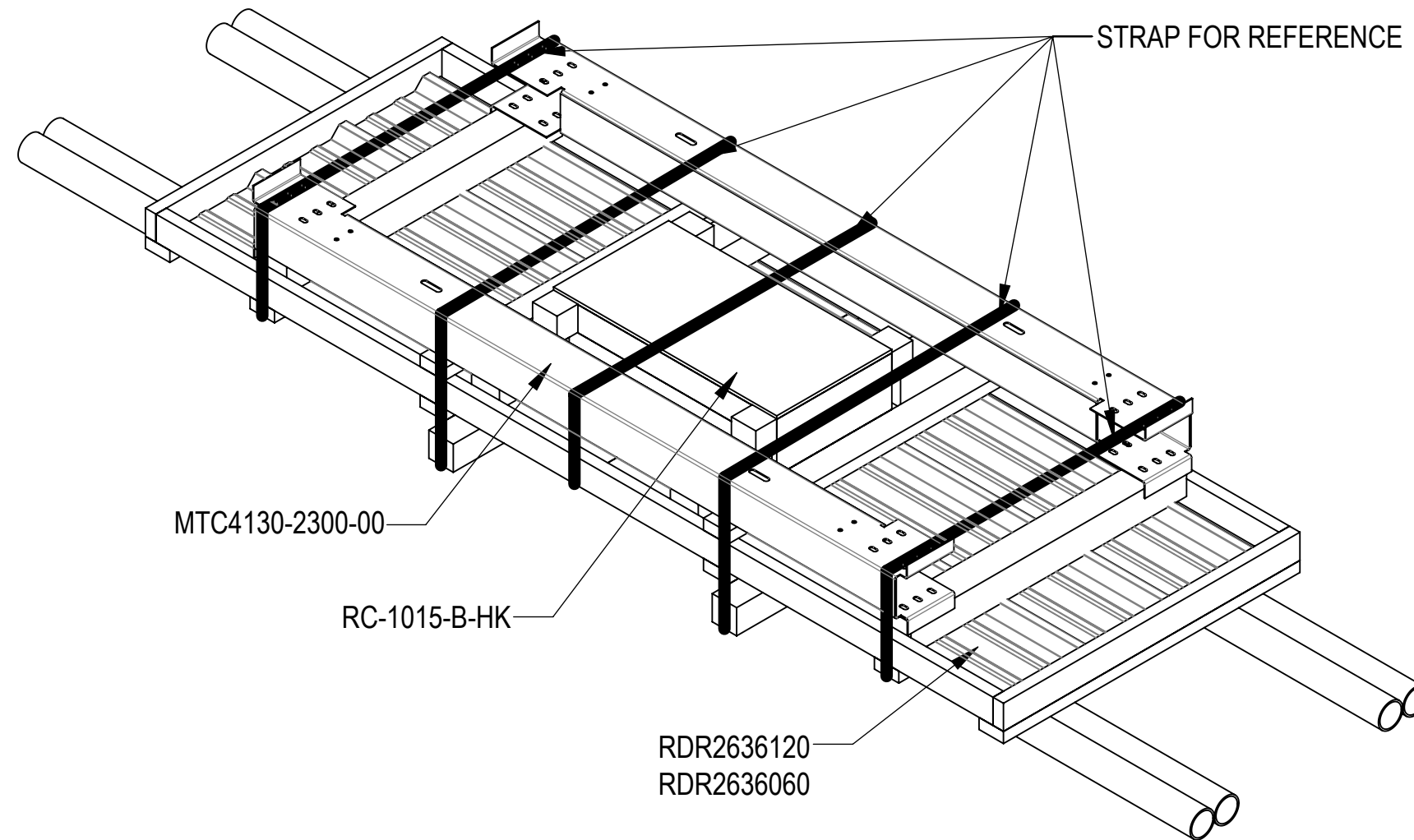


- 1.0 GENERAL NOTES
 1.1 ALL METRIC DIMENSIONS ARE IN BRACKETS [X.X]
 1.2 FOR PATENT INFO: <https://www.cs-pat.com>
- 2.0 DESIGN NOTES
 2.1 ANY HAZARDS OR OBSTRUCTIONS TO THE CLIMBING FACILITY AND SAFETY CLIMB MUST BE IDENTIFIED PRIOR TO INSTALLING THE APPURTENANCE. ADDITIONAL PRODUCTS MAY BE REQUIRED TO MAINTAIN THE INTEGRITY OF THE SAFETY CLIMB. DURING INSTALLATION, TEMPORARY AND/OR PERMANENT PRECAUTIONARY MEASURES SHOULD BE TAKEN TO PRESERVE THE CLIMBING FACILITY AND/OR SAFETY CLIMB.
- 3.0 MANUFACTURING/SPECIAL REQUIREMENTS
 3.1 TIGHTEN ALL BOLTS SECURING FLAT PLATES BY THE TURN-OF-NUT METHOD. TIGHTEN ALL U-BOLTS USING TURN-OF-NUT METHOD WITH ATTENTION TO LEAVE EQUAL DISTANCE AND EQUAL FORCE ON EACH LEG OF THE U-BOLT.
 3.2 THE VERTICAL POSTS CAN BE FIELD TRIMMED AS NEEDED AND ALL CUTS ARE TO BE TREATED WITH COLD GALVANIZING COMPOUND.
- 4.0 TEST
- 5.0 PACKAGING
 5.1 PACKAGING SHALL MEET COMMSCOPE REQUIREMENTS PER DOCUMENT IS-PL-3005
 5.2 PRINTED DOCUMENT TO BE PLACED INSIDE POLYBAG AND THEN IN SHIPPING CONTAINER
 5.3 EXTRA HARDWARE MAY BE SUPPLIED, BAGGED AND SHIPPED

REVISIONS			
REV.	DESCRIPTION	DATE	APPROVED
A	INITIAL RELEASE	RY1002 08APR24	YW1047 40191985CMO



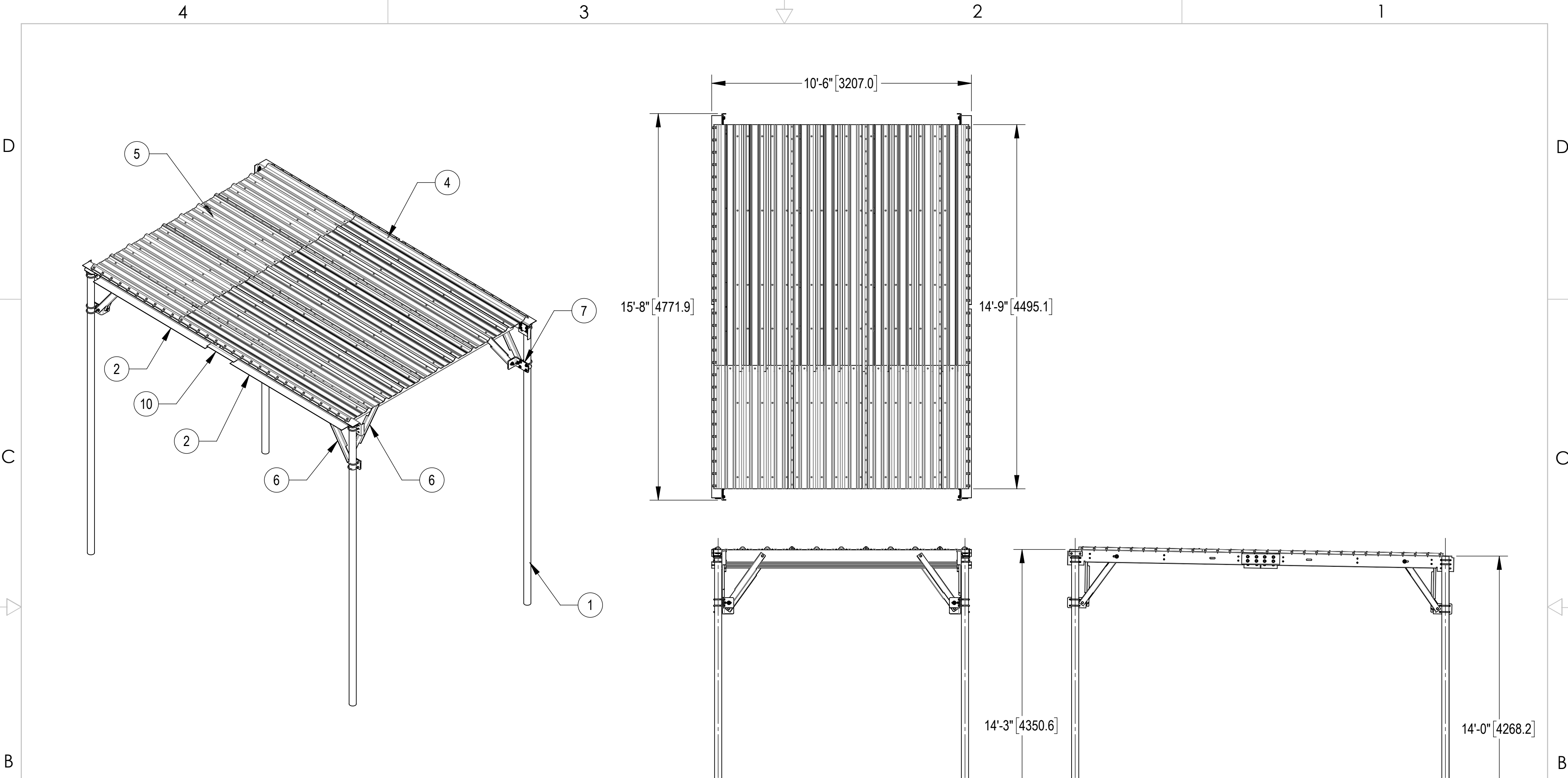
BOTTOM VIEW



PACKAGE

DENSITY	1215.40	lbs/in ³
MASS	4277.22	lbs
VOLUME	108777.16	in ³
SURFACE AREA		in ²
HEIGHT	172.5"	
LENGTH	190.0"	
WIDTH	126.3"	

COMMSCOPE, INC. OF NORTH CAROLINA			
TOLERANCES		SAP MATERIAL MASTER	
1 PLACE .X[X] ± 0.2[6.3]	3 PLACE .XXX[X] ± 0.060[1.5]	RC-1015-B	
2 PLACE .XX[X] ± 0.12[3.0]	ANGLES ± 2°		
FINISH		MATERIAL	
UNLESS OTHERWISE SPECIFIED DIMENSIONS ARE IN INCHES INTERPRET PER ANSI Y 14.5M-1994	NAME	DATE	TITLE
	CE RY1002	08APR24	10'X15' RAIN CANOPY, 13'-4" BURIAL POST
	RW RY1002	04/29/2024	
	AD YW1047	05/05/2024	
	RE YMENG	05/05/2024	
ECN 40191985CMO			
SCALE	DOCUMENT NO.		
1:20	RC-1015-B		
SIZE	Auth Group	INSL	MODEL
C			VERSION STATUS REVISION
			00 RE A
		DRAWING	
		VERSION STATUS REVISION	SHEET
		00 RE A	1 OF 5



COMPONENT PART NUMBERS PROVIDED FOR ASSEMBLY PURPOSES;
INDIVIDUAL COMPONENTS MAY BE SHIPPED AS PARTS WITHIN AN INCLUDED KIT.

ITEM	PART NO.	DESCRIPTION	QTY.	WEIGHT	NOTE NO.
1	MT547168	3.50" OD X 168" PLAIN END GALV PIPE	4	108.28 LBS	
2	MTC4130-2300-00	OUTER CHANNEL, ROOF SUPPORT	4	47.88 LBS	
3	MTC4130-8100-00	CANOPY CENTER CHANNEL	6	41.34 LBS	
4	RDR2636120	ROOF DECKING PBR 26 GA 36" X 120"	4	29.65 LBS	
5	RDR2636060	ROOF DECKING PBR 26 GA 36" X 60"	4	17.72 LBS	
6	MTC4130-3000-00	CANOPY BRACE	8	6.52 LBS	
7	MTC4130-4000-00	CANOPY BRACE ADAPTER	4	9.16 LBS	
8	MTC4130-5000-00	PLATE, 7"X 5"	4	2.76 LBS	
9	MTC4130-6000-00	HEIGHT ADJUSTMENT BRACKET	2	1.26 LBS	
10	MTC4130-9000-00	OUTER CONNECTION CHANNEL	2	6.71 LBS	
11	GUB-4355	1/2" X 3-5/8" X 5" GALV U-BOLT	16	0.71 LBS	
12	GB-04145	1/2" X 1-1/2" GALV BOLT KIT	20	0.13 LBS	
13	GB-03105	3/8" X 1" GALV BOLT KIT	24	0.05 LBS	
14	GB-05205FT	5/8" X 2" GALV BOLT KIT	16	0.26 LBS	
15	GWF-04	1/2" GALV FLAT WASHER	36	0.04 LBS	
16	GWF-05	5/8" GALV FLAT WASHER, 1.70D	12	0.06 LBS	
17	MTC3799C26	CLIP, RDR PANEL	60	0.05 LBS	
18	MTC371531	1/4-14X7/8 SELF DRILLING HEX HEAD SCREW	170	0.02 LBS	
19	TS1275	TEK SCREW #12 X 3/4, WITH NEOPRENE WASHER	168	0.02 LBS	

COMMSCOPE, INC. OF NORTH CAROLINA				
TITLE 10'X15' RAIN CANOPY, 13'-4" BURIAL POST				
SIZE C	SCALE 1:35	DOCUMENT NO. RC-1015-B		
DRAWING		VERSION	STATUS	REVISION
		00	RE	A
				SHEET 2 OF 5

4

3

2

1

D

D

C

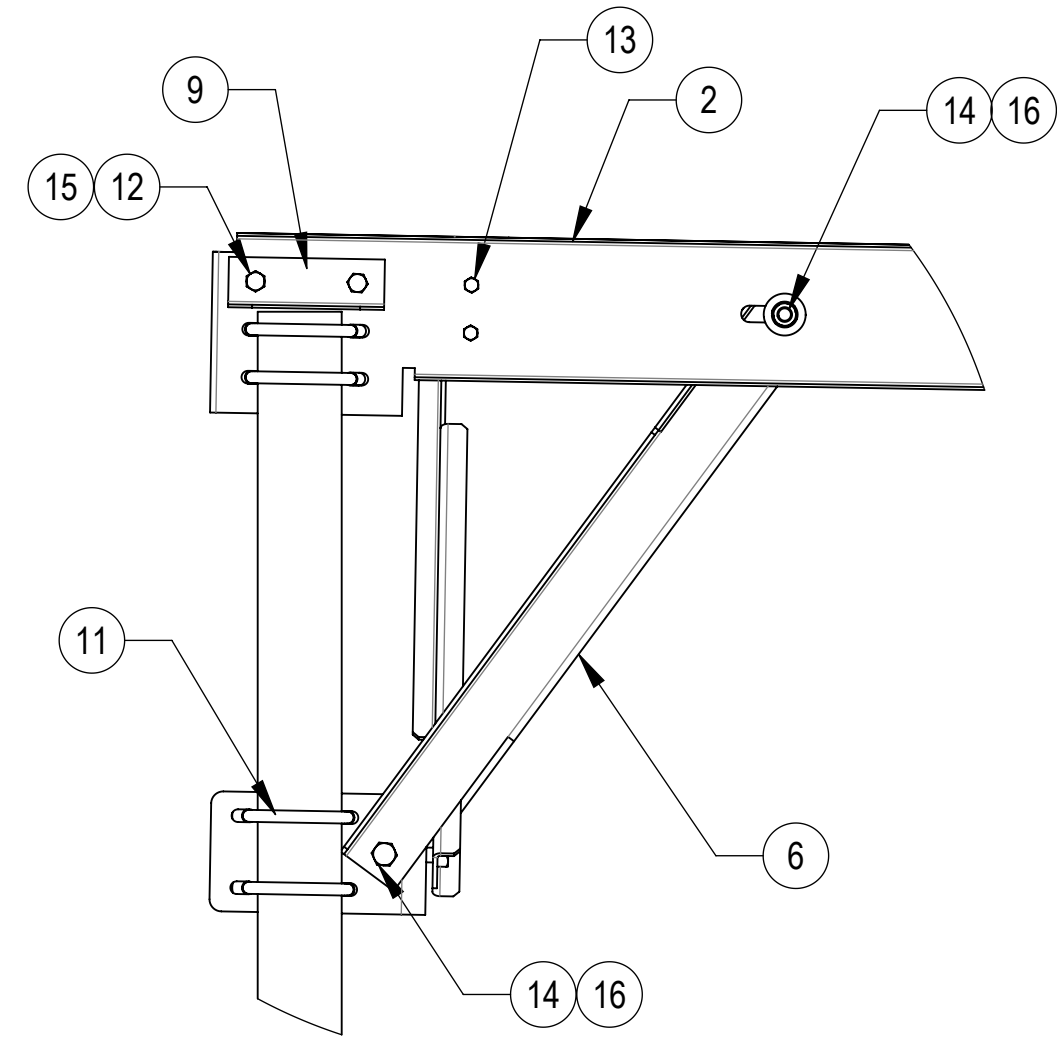
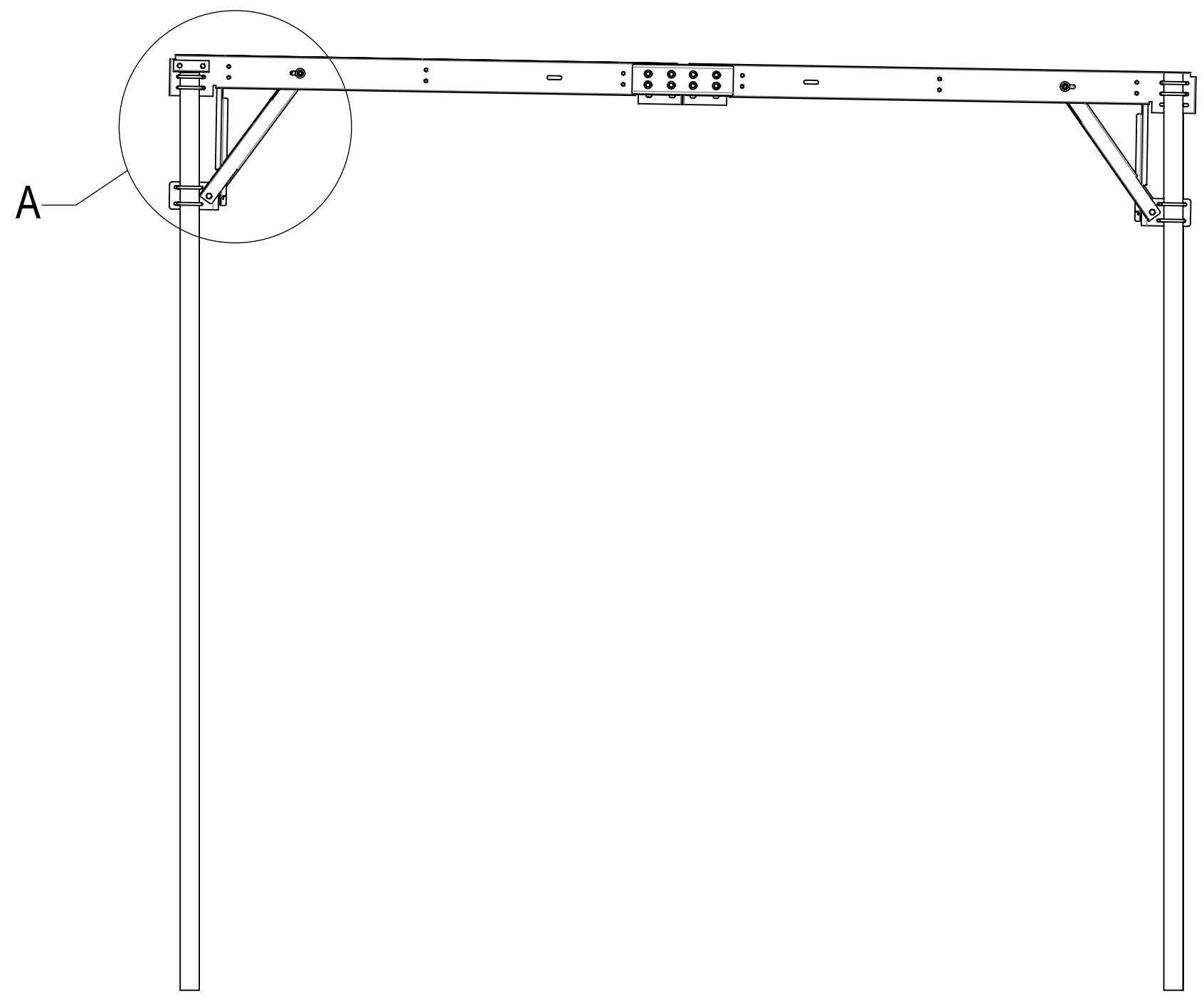
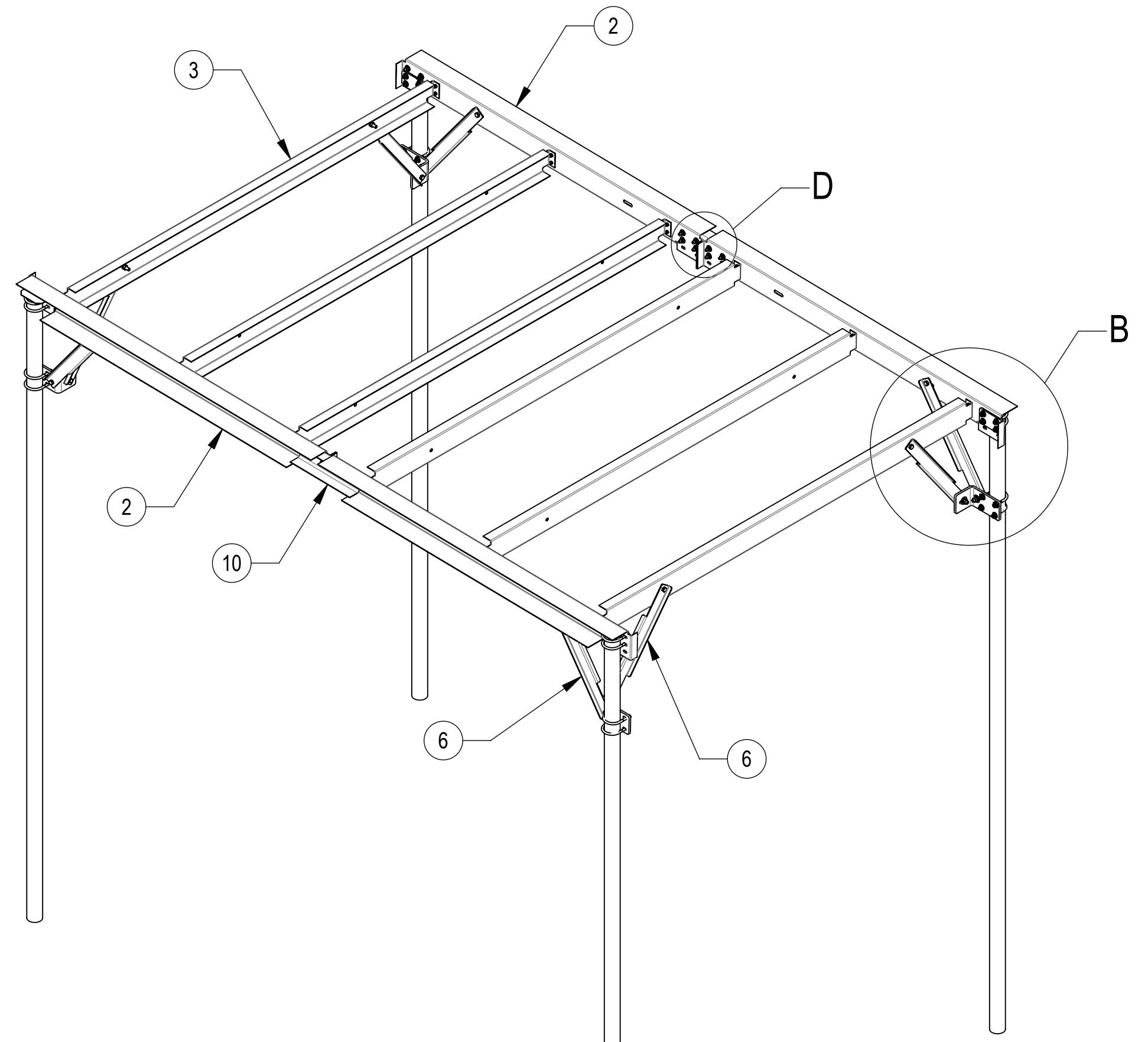
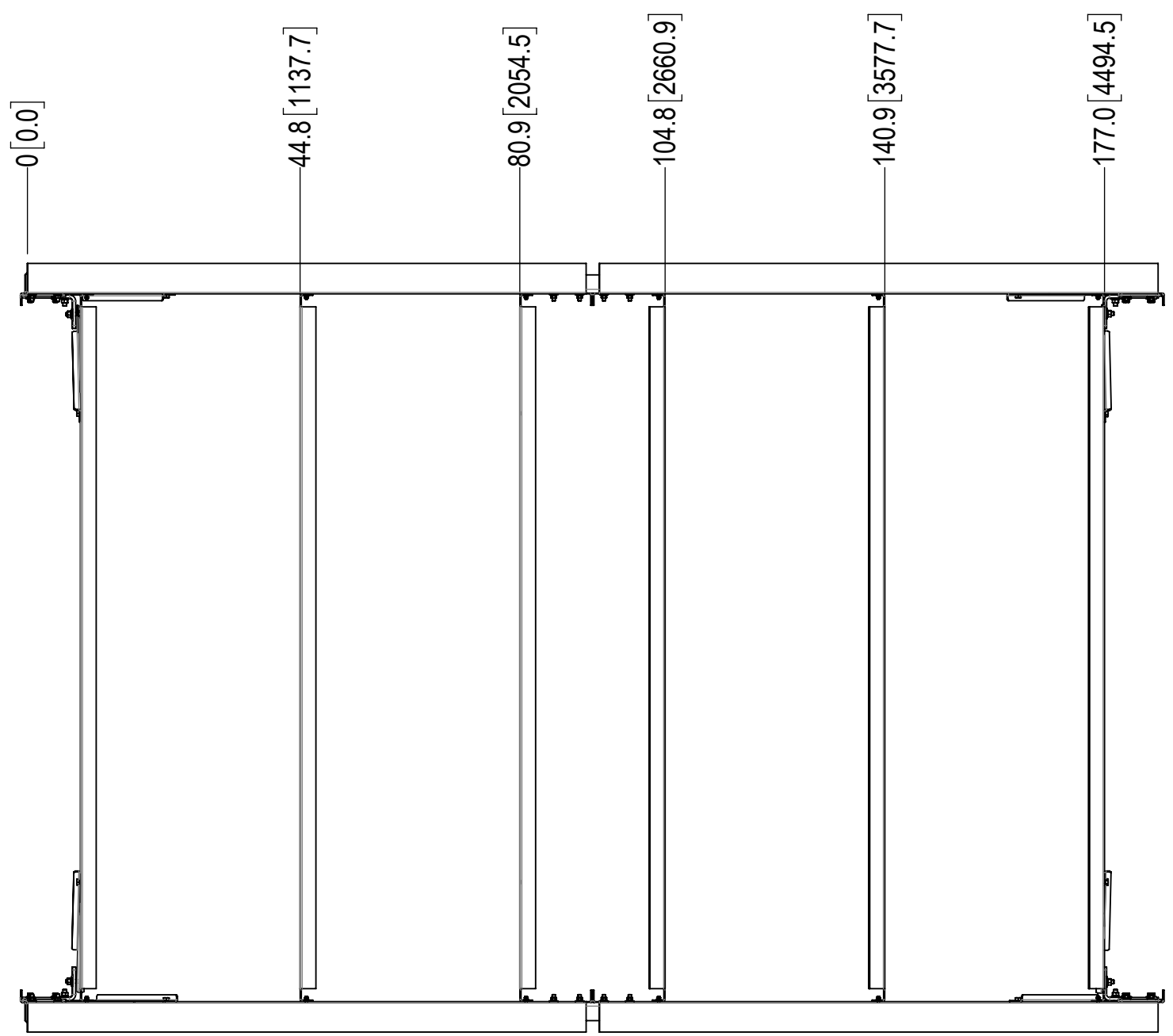
C

B

B

A

A



DETAIL A
SCALE 1 : 8

HIDE ROOF DECKING FOR CLARITY

COMMSCOPE, INC. OF NORTH CAROLINA				
TITLE 10'X15' RAIN CANOPY, 13'-4" BURIAL POST				
SIZE C	SCALE 1:25	DOCUMENT NO. RC-1015-B		
		DRAWING		SHEET
		VERSION	STATUS	REVISION
		00	RE	A
				3 OF 5

4

3

2

1



4

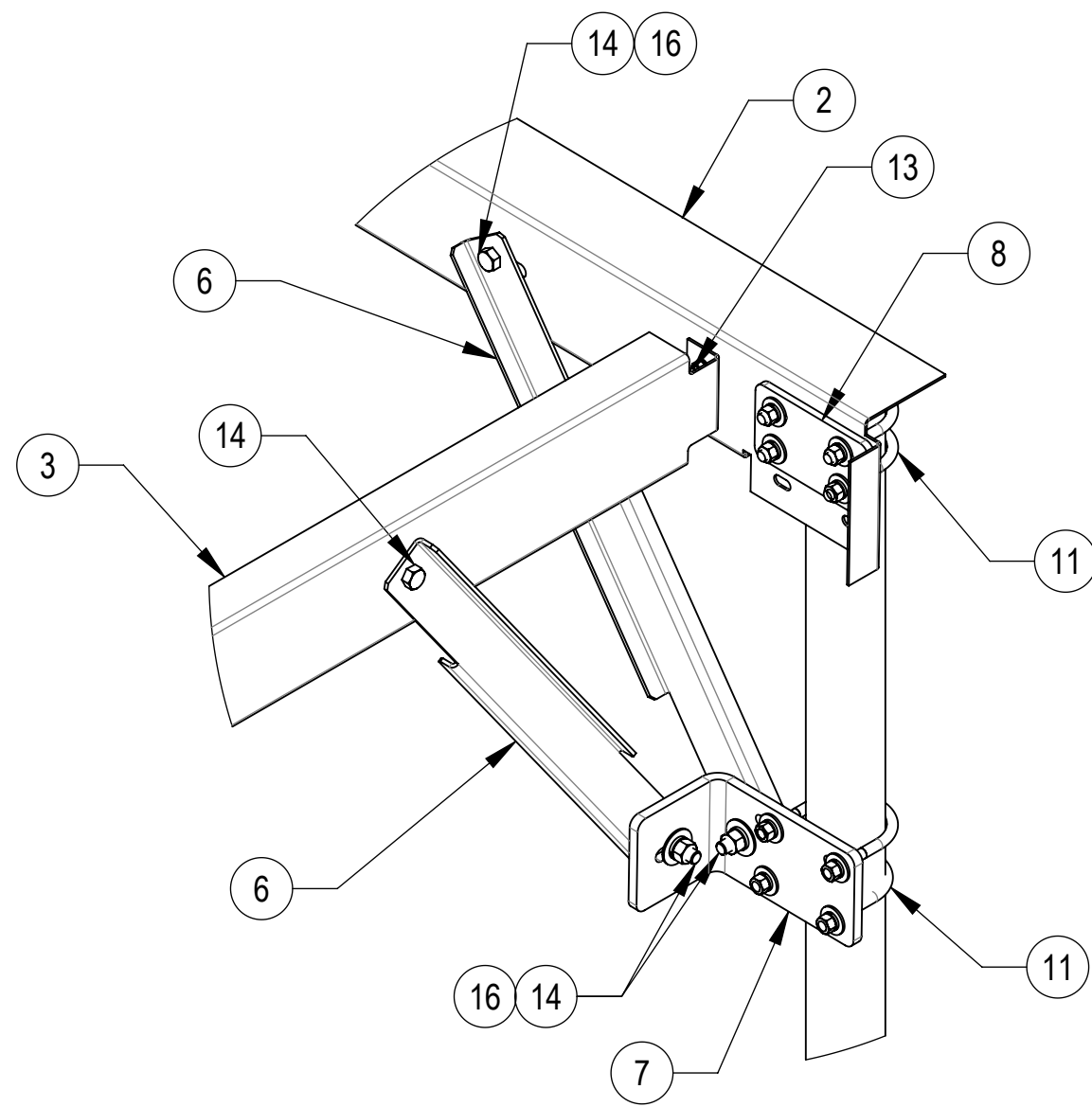
3

2

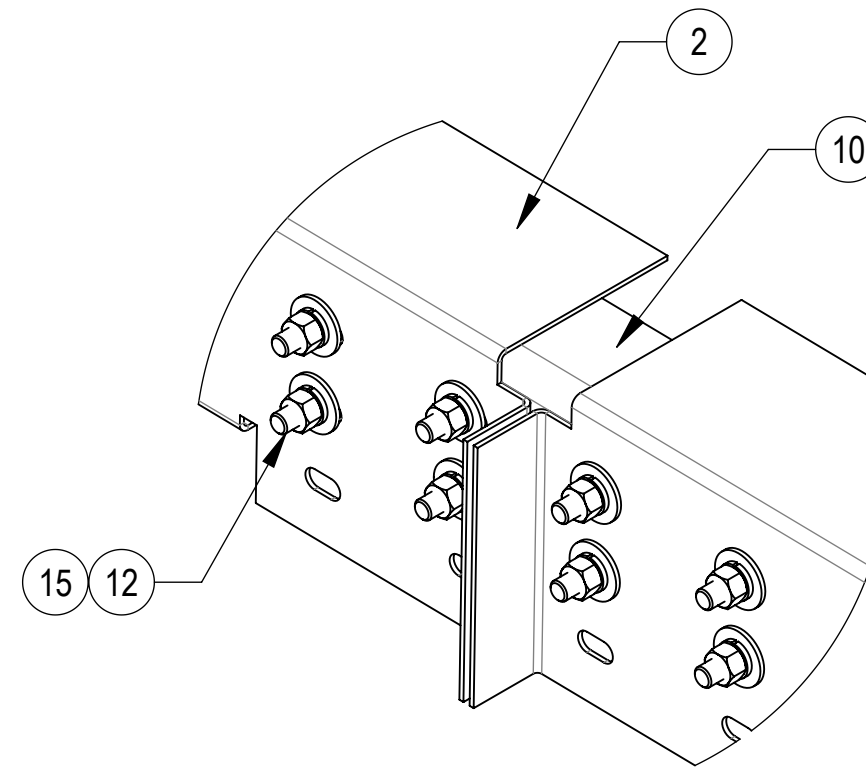
1

D

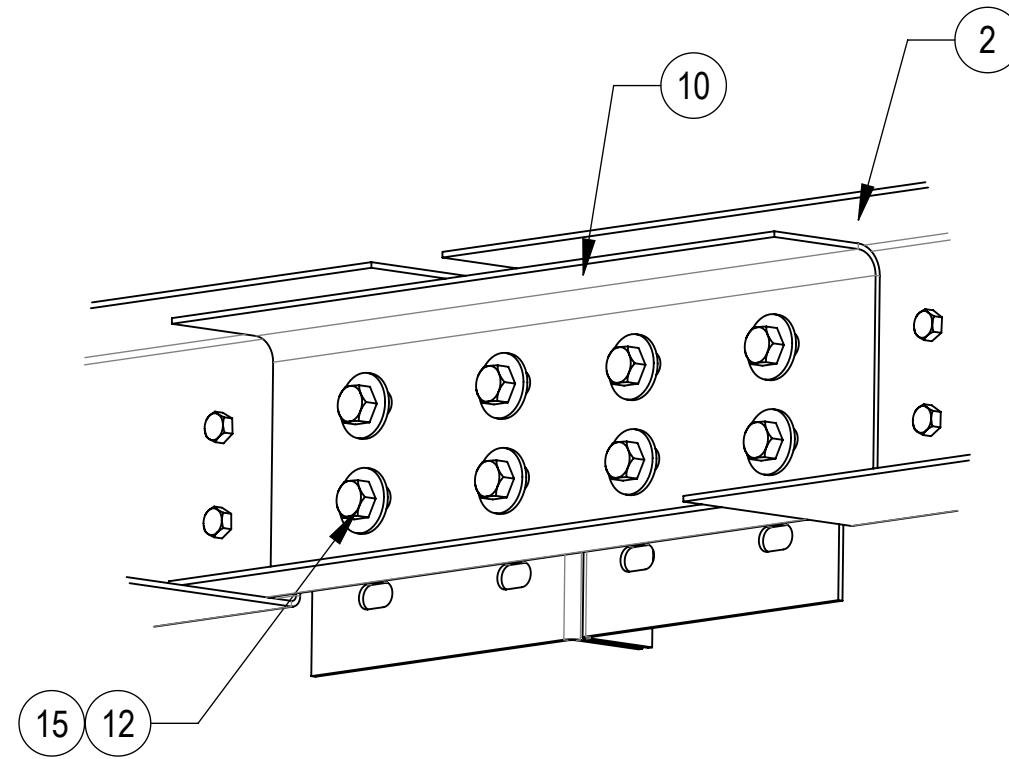
D



DETAIL B
SCALE 1 : 8



DETAIL D
SCALE 1 : 4



DETAIL D
BACK VIEW
SCALE 1 : 4

C

C

B

B

A

A

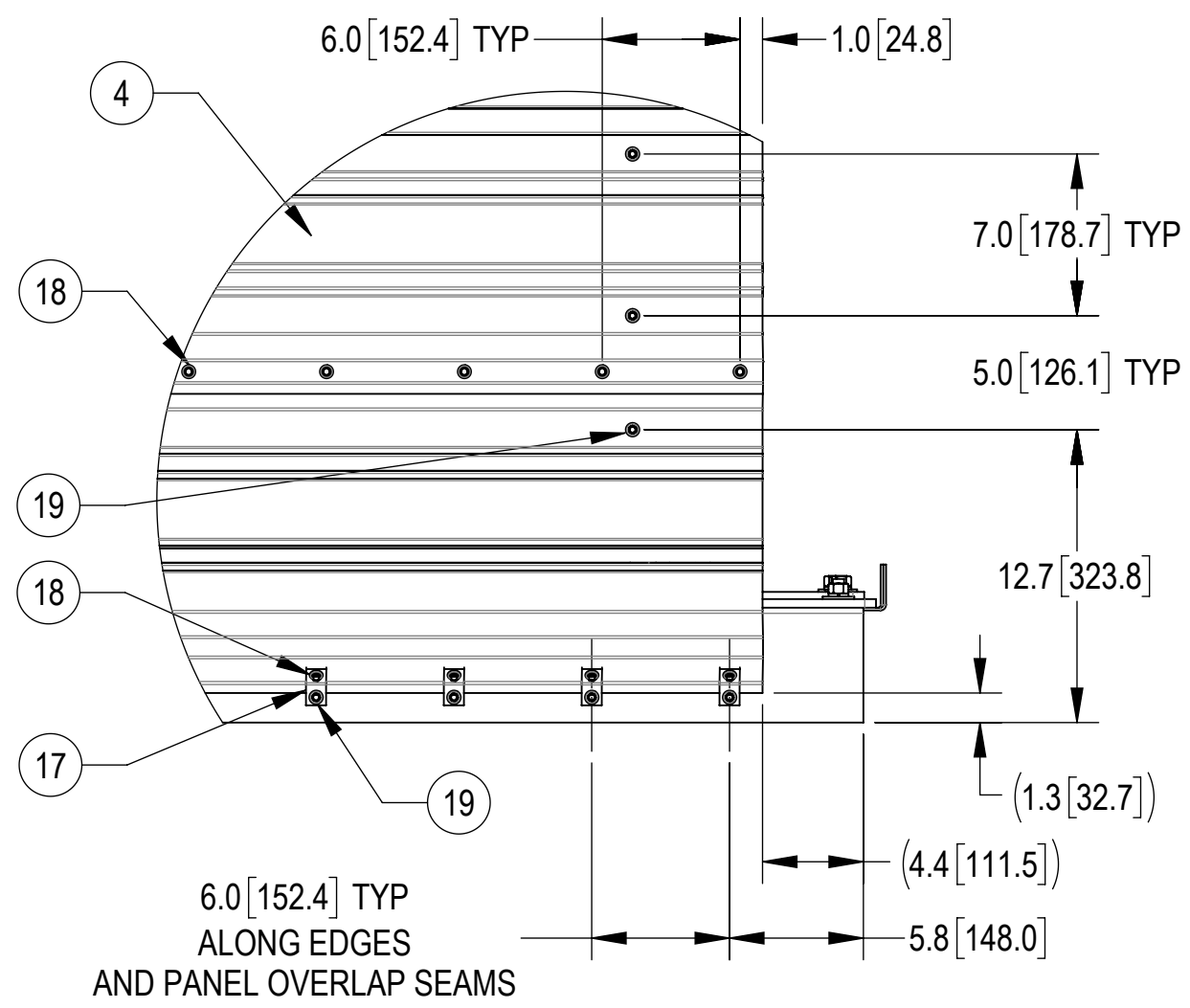
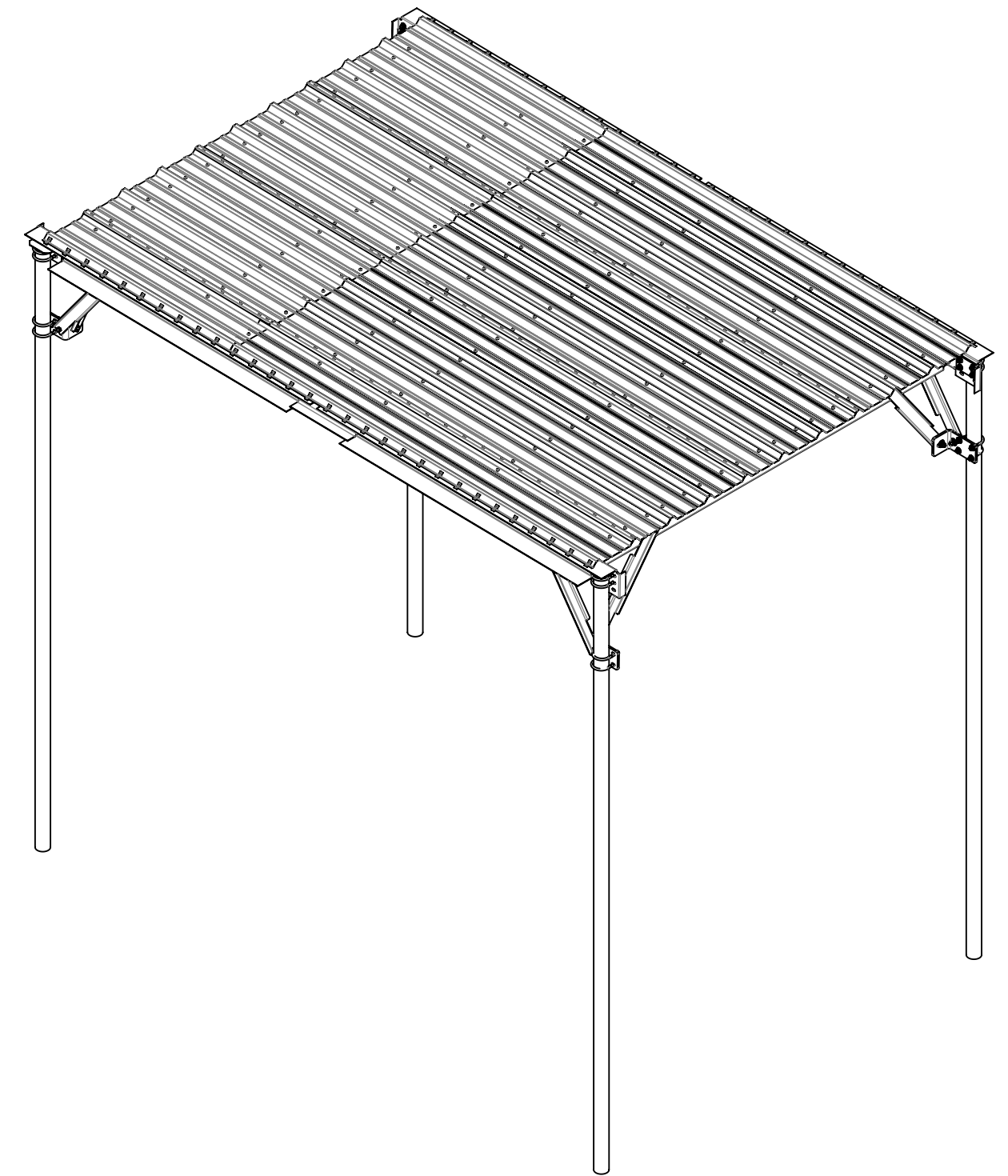
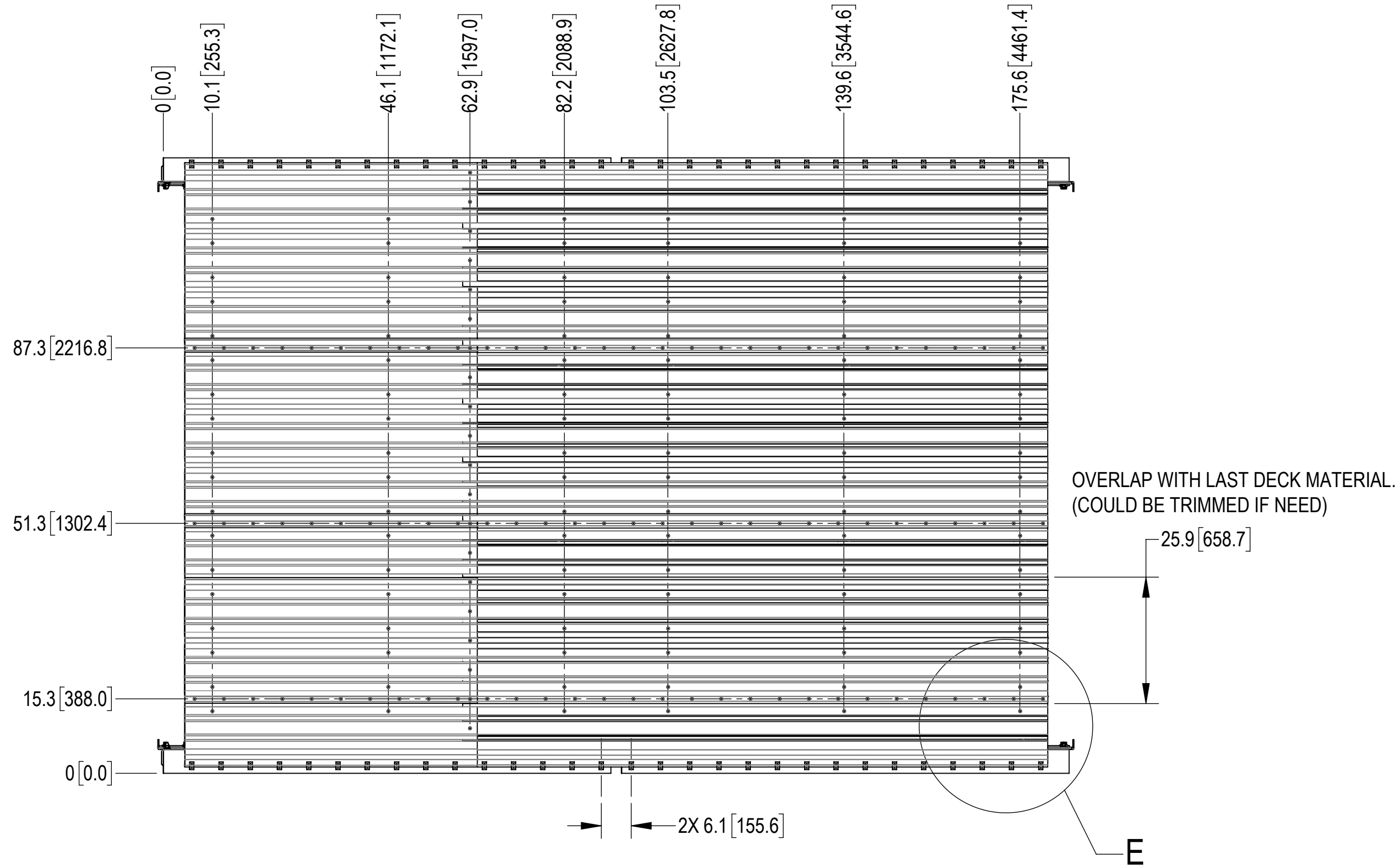
4

3

2

1

COMMSCOPE, INC. OF NORTH CAROLINA					
TITLE 10'X15' RAIN CANOPY, 13'-4" BURIAL POST					
SIZE C	SCALE 1:20	DOCUMENT NO. RC-1015-B			
		DRAWING			SHEET 4 OF 5
		VERSION 00	STATUS RE	REVISION A	



DETAIL E
SCALE 1 : 8

COMMSCOPE, INC. OF NORTH CAROLINA				
TITLE 10'X15' RAIN CANOPY, 13'-4" BURIAL POST				
SIZE C	SCALE 1:22	DOCUMENT NO. RC-1015-B		
		DRAWING		SHEET
		VERSION	STATUS	REVISION
		00	RE	A
				SHEET 5 OF 5