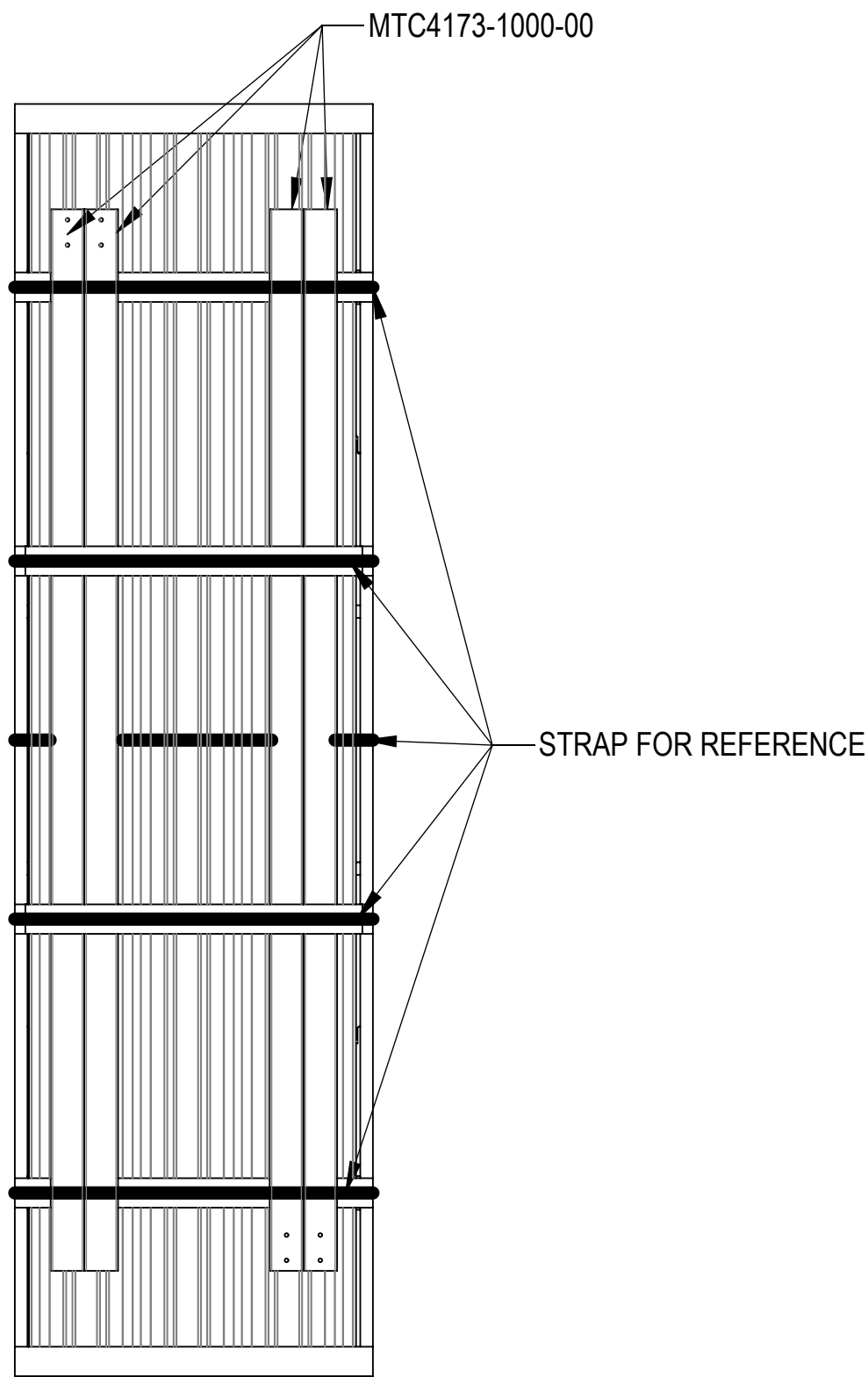
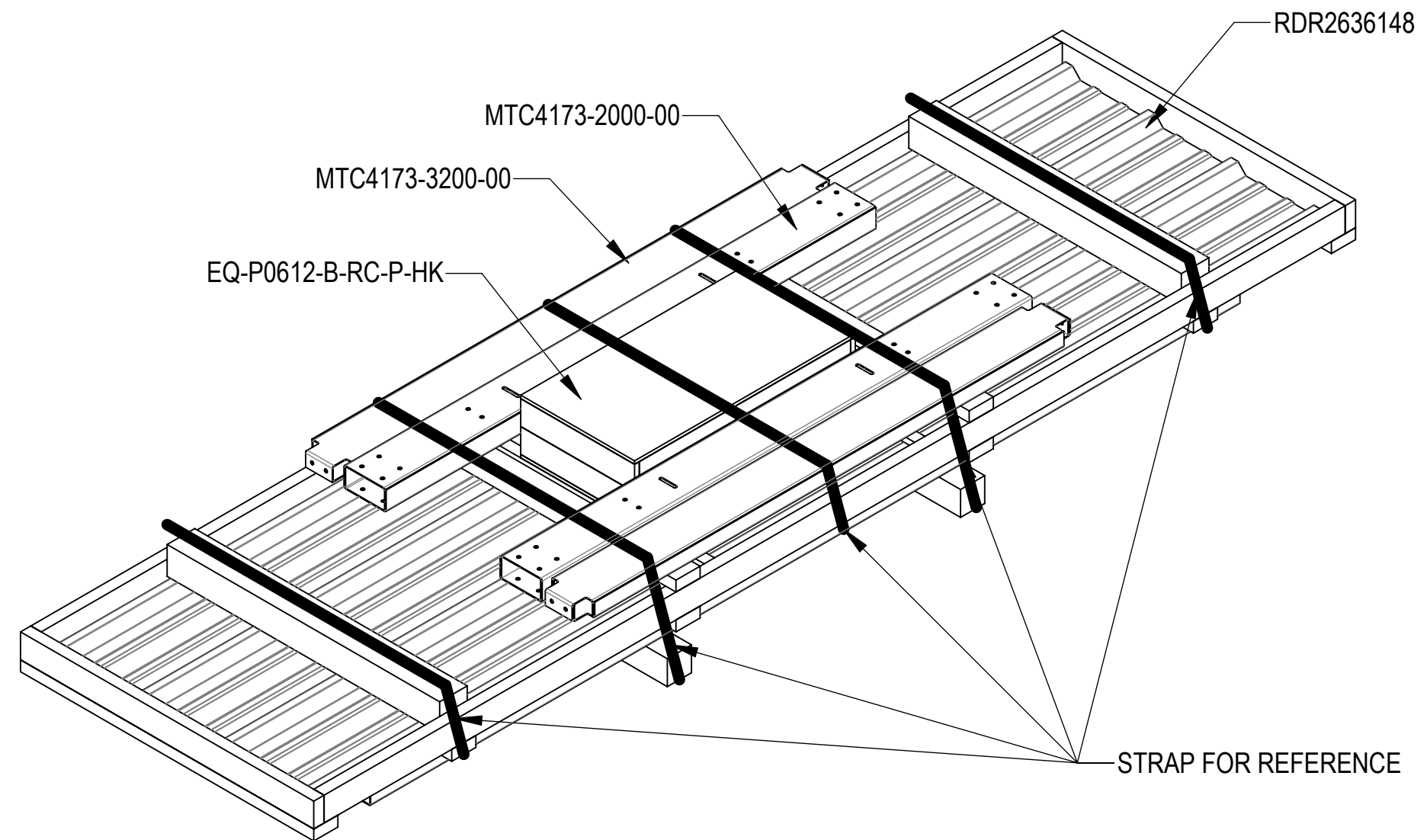


- 1.0 GENERAL NOTES
 - 1.1 ALL METRIC DIMENSIONS ARE IN BRACKETS [X.X]
 - 1.2 FOR PATENT INFO: <https://www.cs-pat.com>
- 2.0 DESIGN NOTES
 - 2.1 ANY HAZARDS OR OBSTRUCTIONS TO THE CLIMBING FACILITY AND SAFETY CLIMB MUST BE IDENTIFIED PRIOR TO INSTALLING THE APPURTENANCE. ADDITIONAL PRODUCTS MAY BE REQUIRED TO MAINTAIN THE INTEGRITY OF THE SAFETY CLIMB. DURING INSTALLATION, TEMPORARY AND/OR PERMANENT PRECAUTIONARY MEASURES SHOULD BE TAKEN TO PRESERVE THE CLIMBING FACILITY AND/OR SAFETY CLIMB.
- 3.0 MANUFACTURING/SPECIAL REQUIREMENTS
 - 3.1 TIGHTEN ALL BOLTS SECURING FLAT PLATES BY THE TURN-OF-NUT METHOD. TIGHTEN ALL U-BOLTS USING TURN-OF-NUT METHOD WITH ATTENTION TO LEAVE EQUAL DISTANCE AND EQUAL FORCE ON EACH LEG OF THE U-BOLT.
- 4.0 TEST
- 5.0 PACKAGING
 - 5.1 PACKAGING SHALL MEET COMMSCOPE REQUIREMENTS PER DOCUMENT IS-PL-3005
 - 5.2 PRINTED DOCUMENT TO BE PLACED INSIDE POLYBAG AND THEN IN SHIPPING CONTAINER
 - 5.3 EXTRA HARDWARE MAY BE SUPPLIED, BAGGED AND SHIPPED

REVISIONS			
REV.	DESCRIPTION	DATE	APPROVED
A	INITIAL RELEASE	RY1002 28MAR24	YW1047 40191985CMO



BOTTOM VIEW



PACKAGE

DENSITY	680.39	lbs/in ³
MASS	680.39	lbs
VOLUME	2406.23	in ³
SURFACE AREA	57958.25	in ²
HEIGHT	139.8"	
LENGTH	148.0"	
WIDTH	77.6"	

COMMSCOPE, INC. OF NORTH CAROLINA										
TOLERANCES					SAP MATERIAL MASTER					
1 PLACE .X[X] ± 0.2[6.3]			3 PLACE .XXX[X] ± 0.060[1.5]		EQ-P0612-B-RC-P					
2 PLACE .XX[X] ± 0.12[3.0]			ANGLES ± 2°							
FINISH					MATERIAL					
UNLESS OTHERWISE SPECIFIED DIMENSIONS ARE IN INCHES INTERPRET PER ANSI Y 14.5M-1994	NAME	DATE	TITLE							
	CE RY1002	28MAR24	06'X12' RAIN CANOPY, ON EQ. PLATFORM							
	RW RY1002	04/28/2024								
	AD YW1047	05/05/2024								
	RE YMENG	05/05/2024								
ECN 40191985CMO										
SCALE	DOCUMENT NO.									
1:24	EQ-P0612-B-RC-P									
SIZE	Auth Group	INSL	MODEL			DRAWING				SHEET
C			VERSION	STATUS	REVISION	VERSION	STATUS	REVISION	1 OF 4	
			00	RE	A	00	RE	A		

4

3

2

1

D

D

C

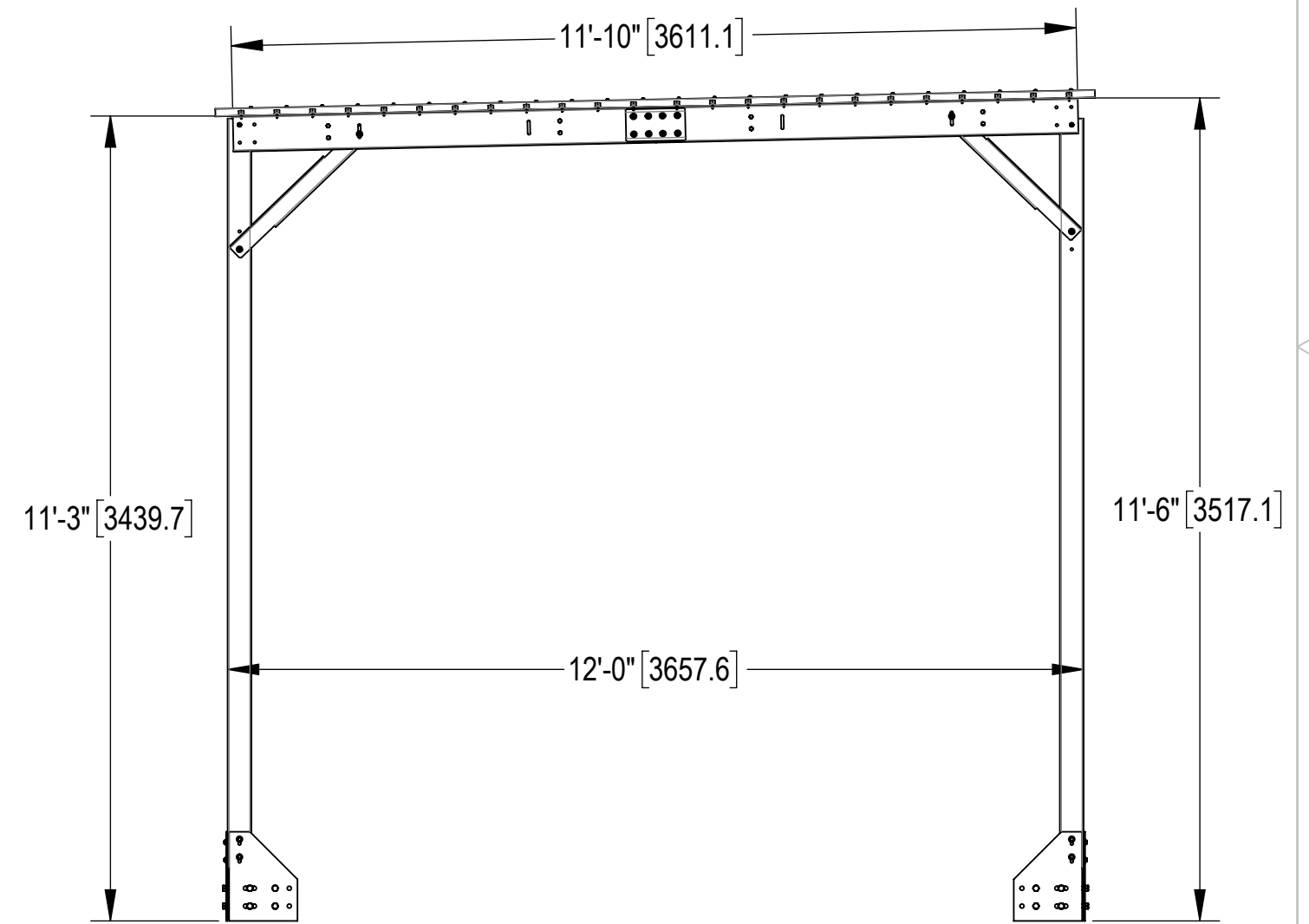
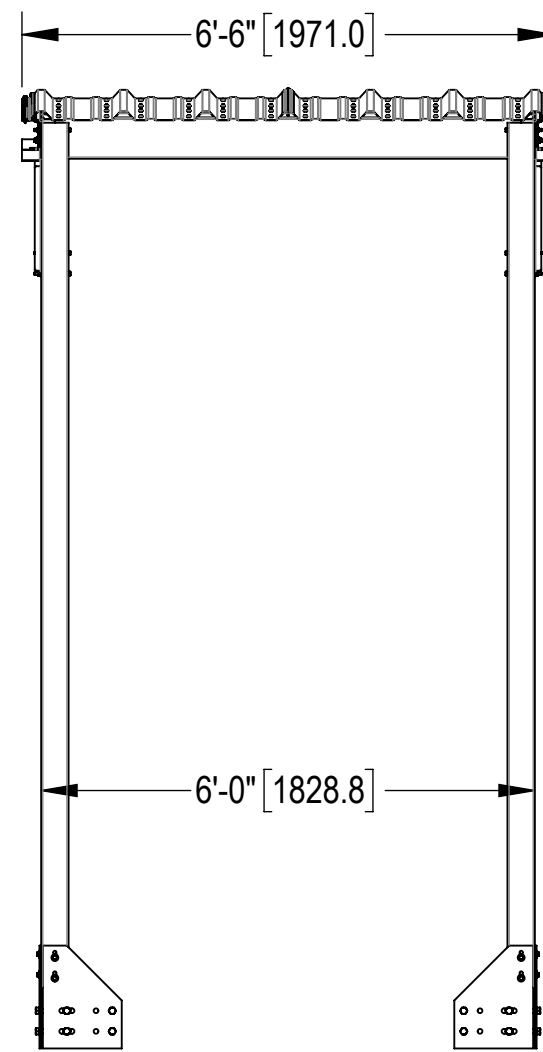
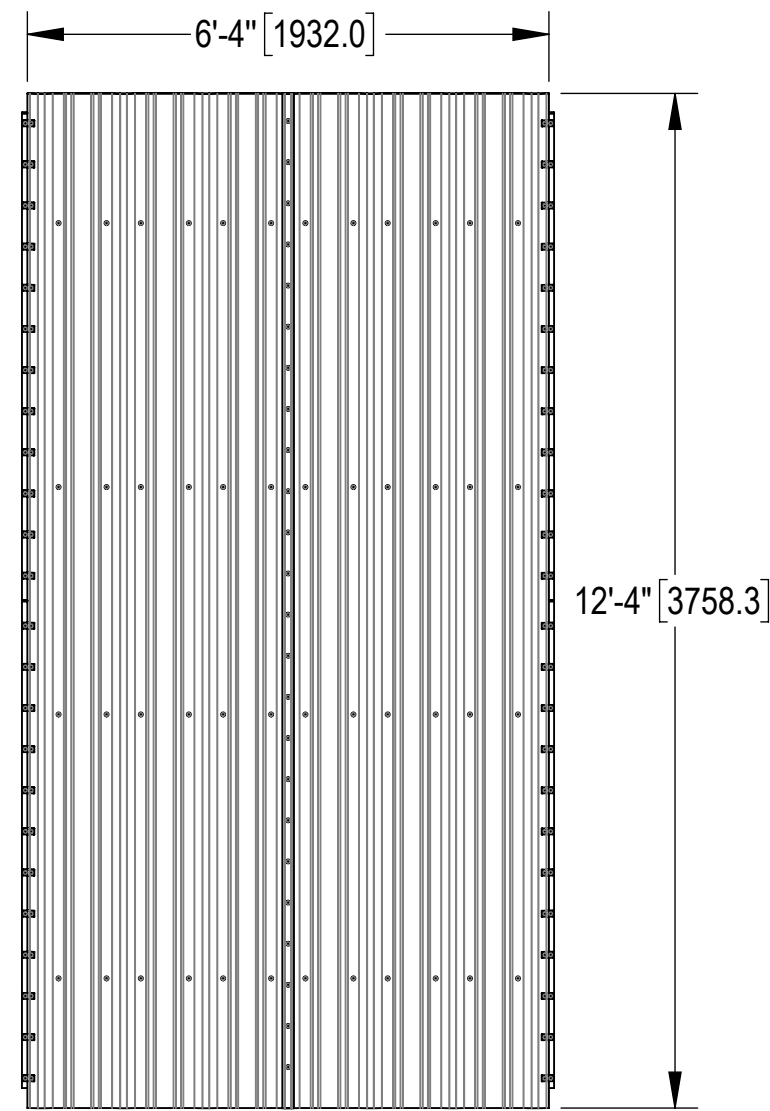
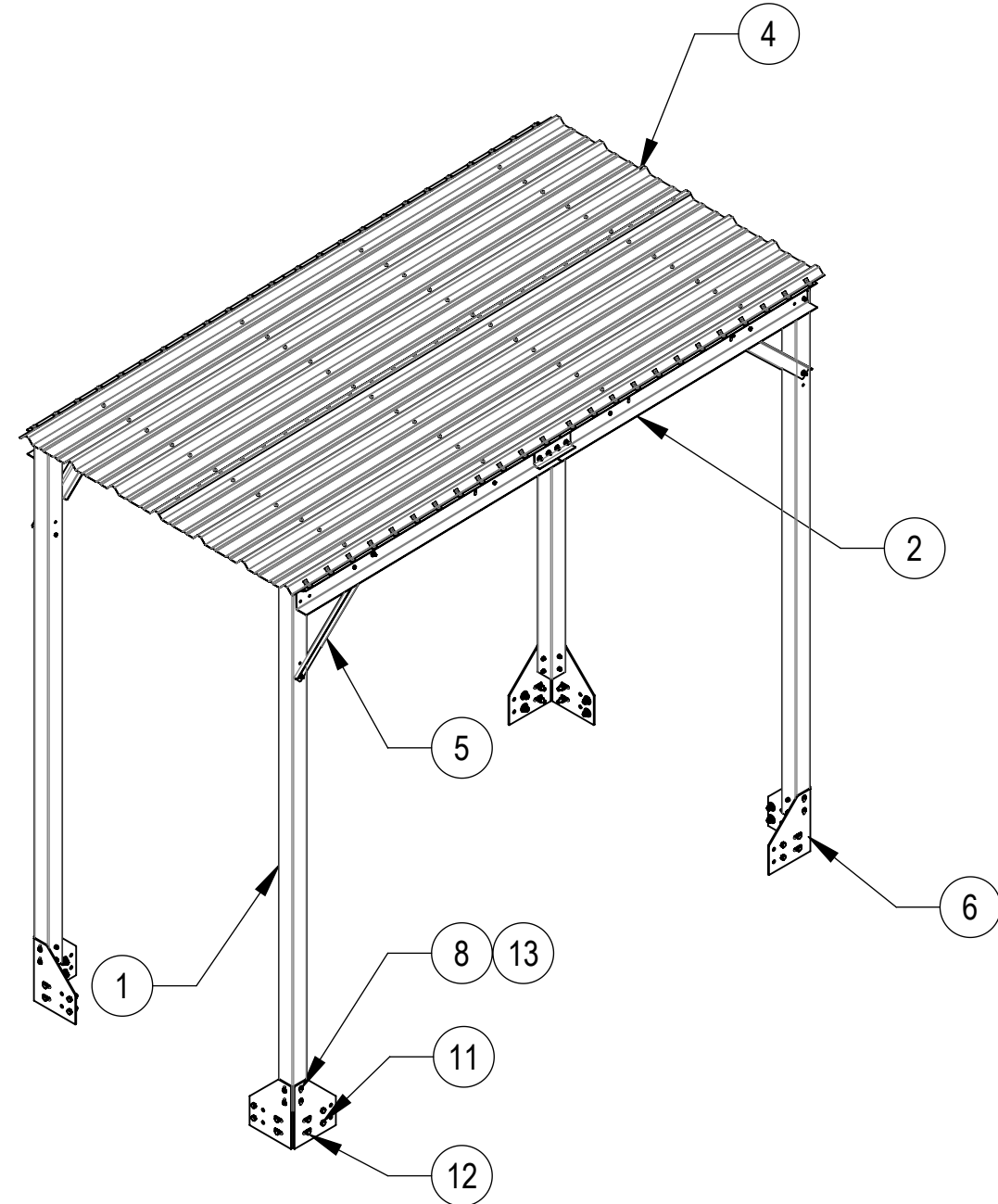
C

B

B

A

A



COMPONENT PART NUMBERS PROVIDED FOR ASSEMBLY PURPOSES;
INDIVIDUAL COMPONENTS MAY BE SHIPPED AS PARTS WITHIN AN INCLUDED KIT.

ITEM	PART NO.	DESCRIPTION	QTY.	WEIGHT	NOTE NO.
1	MTC4173-1000-00	POST, 4X4 SQUARE TUBE, 126"	4	64.74 LBS	
2	MTC4173-2000-00	OUTER CHANNEL, ROOF SUPPORT	4	26.69 LBS	
3	MTC4173-3200-00	CANOPY CENTER CHANNEL	4	23.19 LBS	
4	RDR2636148	ROOF DECKING PBR 26 GA 36" X 148"	2	43.72 LBS	
5	MTC4130-3000-00	CANOPY BRACE	4	6.52 LBS	
6	MTC4169-2000-00	PLATE, CANOPY LEG SUPPORT	8	9.59 LBS	
7	MTC4173-4000-00	OUTER CONNECTION CHANNEL	2	2.60 LBS	
8	GB-03505	3/8" X 5" GALV BOLT KIT	24	0.17 LBS	
9	GB-03125	3/8" X 1-1/4" GALV BOLT KIT	4	0.06 LBS	
10	GB-03105	3/8" X 1" GALV BOLT KIT	32	0.05 LBS	
11	GB-05165	5/8" X 1-3/4" GALV BOLT KIT	16	0.24 LBS	
12	GB-05225	5/8" X 2-1/4" GALV BOLT KIT	16	0.28 LBS	
13	GWF-03	3/8" GALV FLAT WASHER	44	0.01 LBS	
14	GWF-05	5/8" GALV FLAT WASHER, 1.7OD	16	0.06 LBS	
15	MTC3799C26	CLIP, RDR PANEL	48	0.05 LBS	
16	TS1275	TEK SCREW #12 X 3/4, WITH NEOPRENE WASHER	96	0.02 LBS	
17	MTC371531	1/4-14X7/8 SELF DRILLING HEX HEAD SCREW	72	0.02 LBS	

COMMSCOPE, INC. OF NORTH CAROLINA				
TITLE 06'X12' RAIN CANOPY, ON EQ. PLATFORM				
SIZE C	SCALE 1:32	DOCUMENT NO. EQ-P0612-B-RC-P		
DRAWING		VERSION	STATUS	REVISION
SHEET 2 OF 4		00	RE	A

© 2024 CommScope, Inc. Confidential

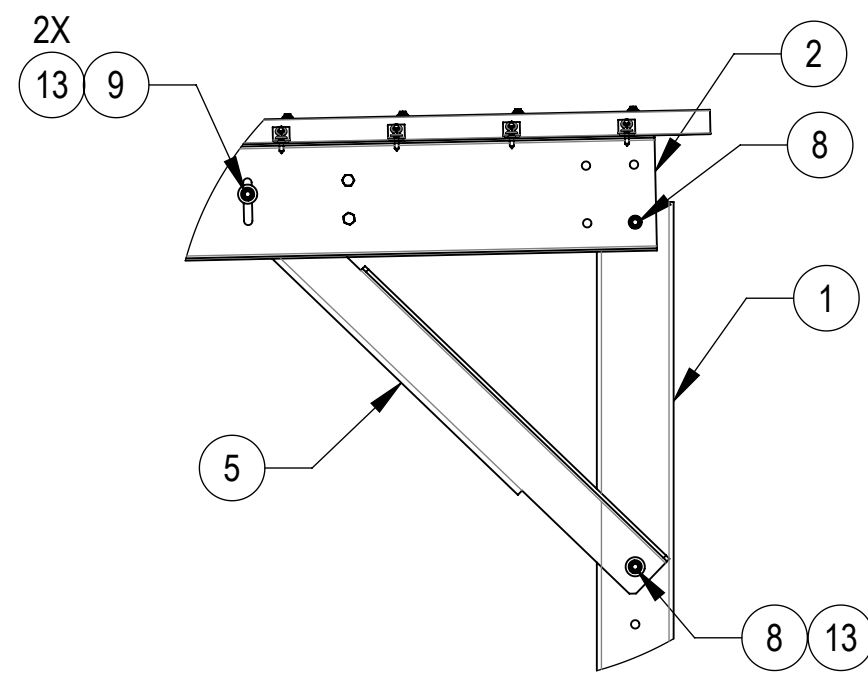
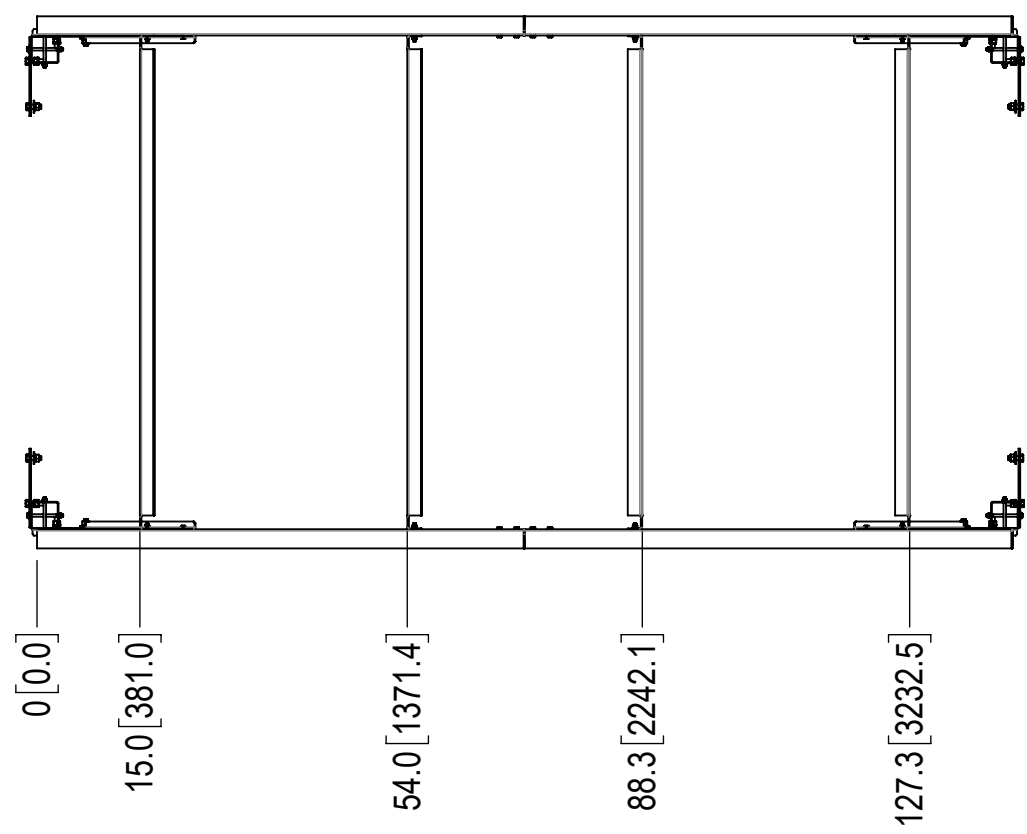
4

3

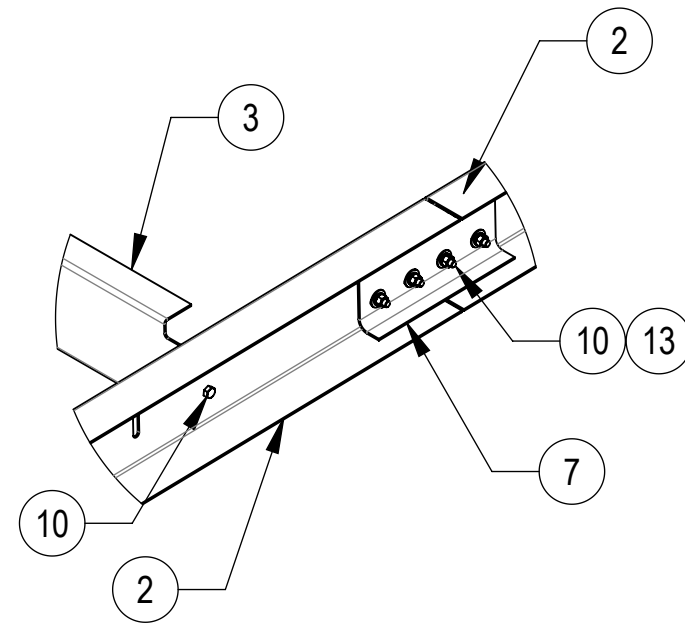
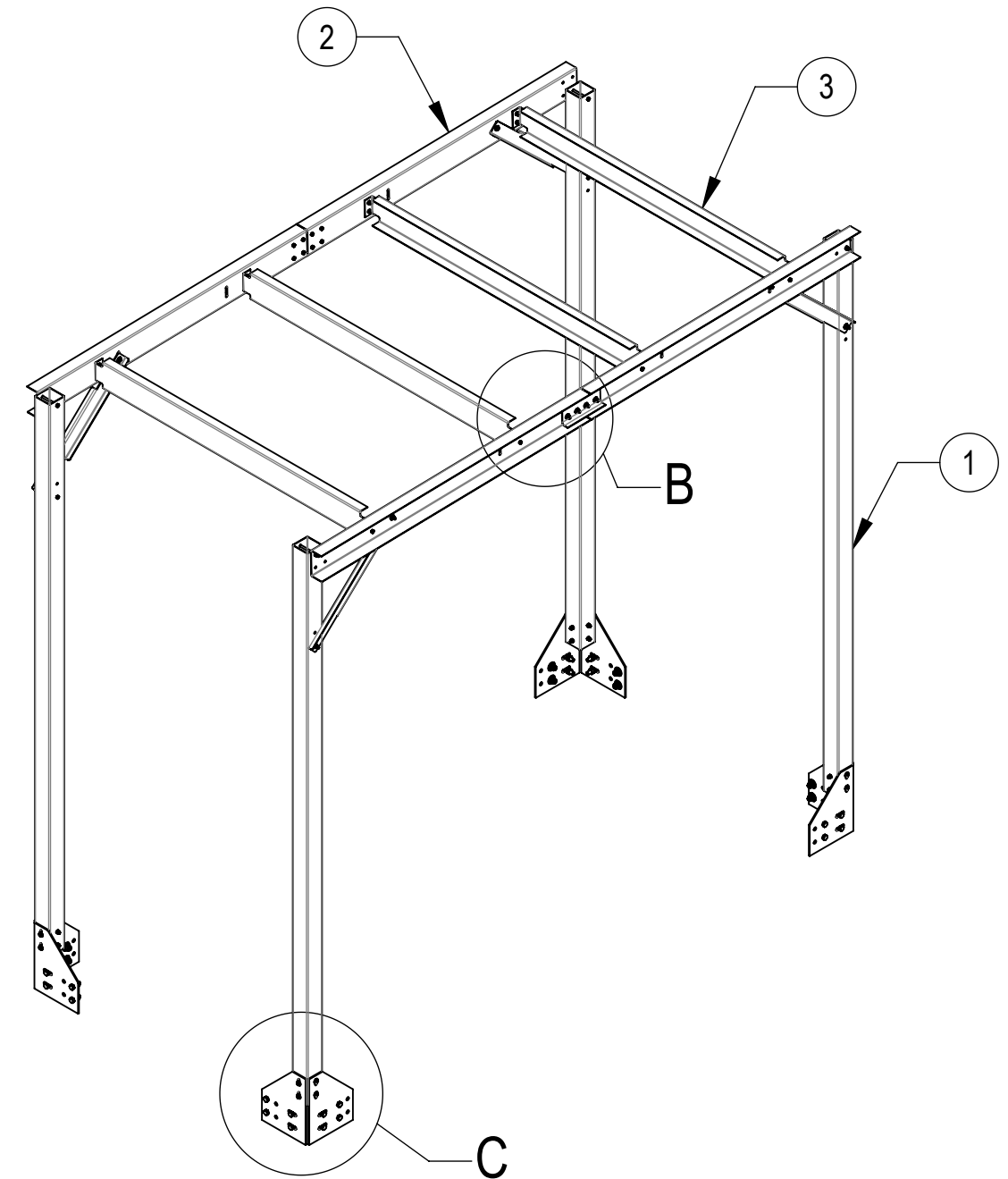
2

1

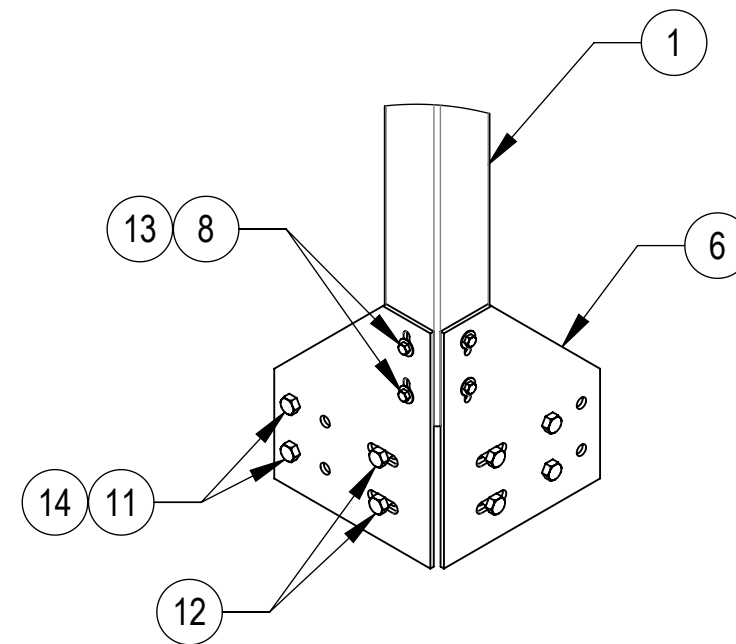




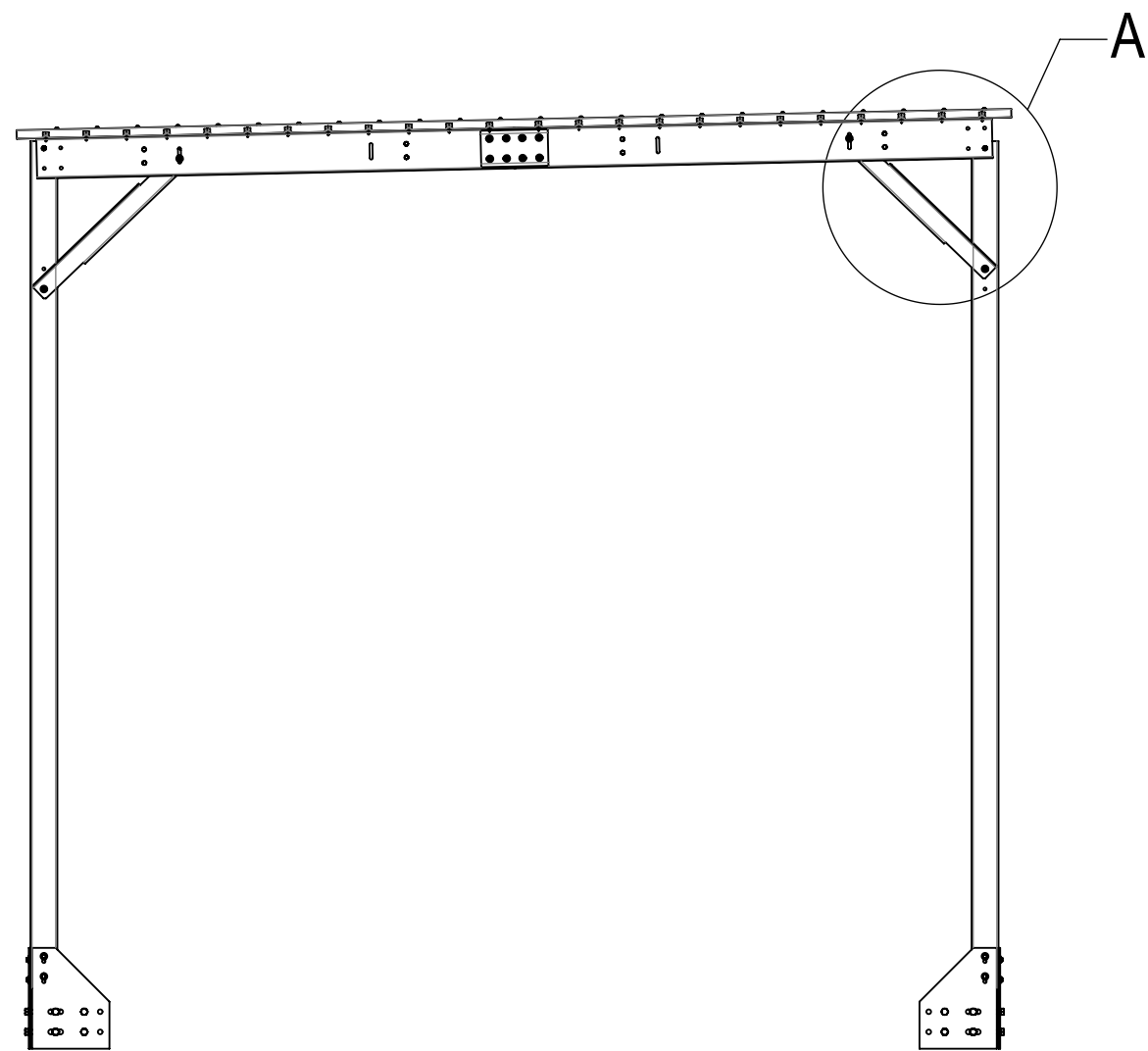
DETAIL A
SCALE 1 : 10



DETAIL B
SCALE 1 : 10



DETAIL C
SCALE 1 : 10



HIDE ROOF DECKING FOR CLARITY

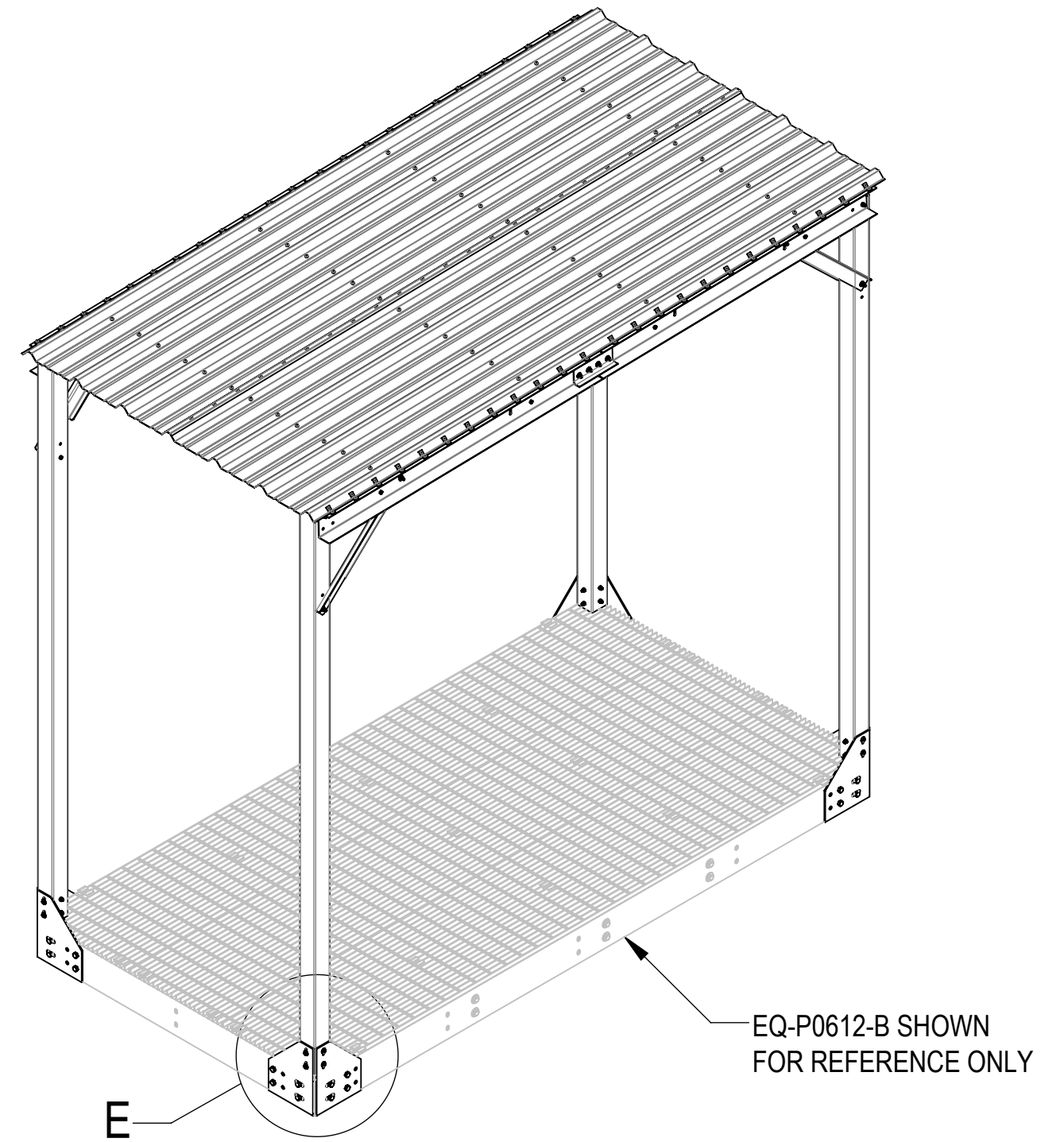
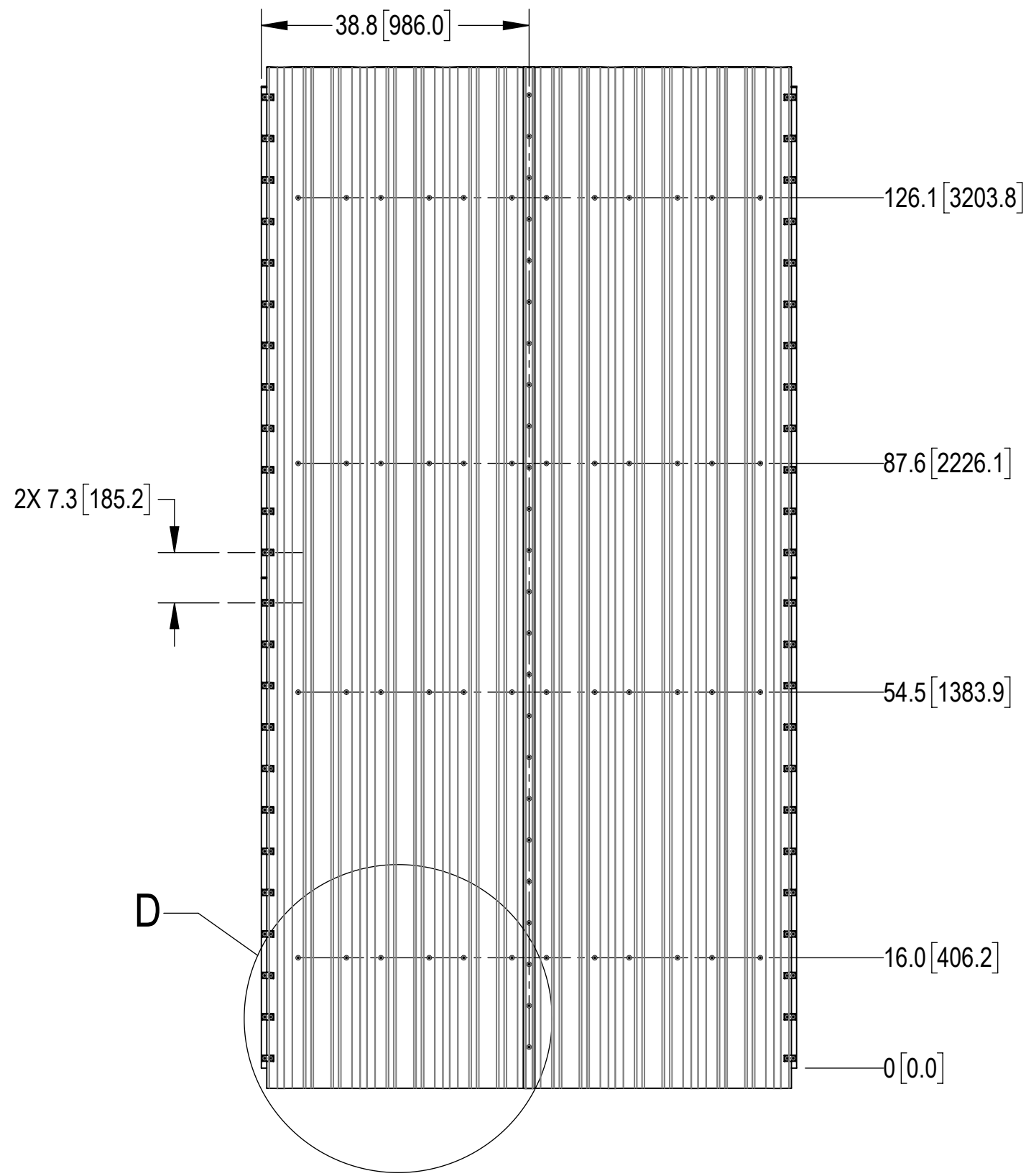
COMMSCOPE, INC. OF NORTH CAROLINA					
TITLE 06'X12' RAIN CANOPY, ON EQ. PLATFORM					
SIZE C	SCALE 1:32	DOCUMENT NO. EQ-P0612-B-RC-P			
		DRAWING			SHEET 3 OF 4
		VERSION 00	STATUS RE	REVISION A	

4

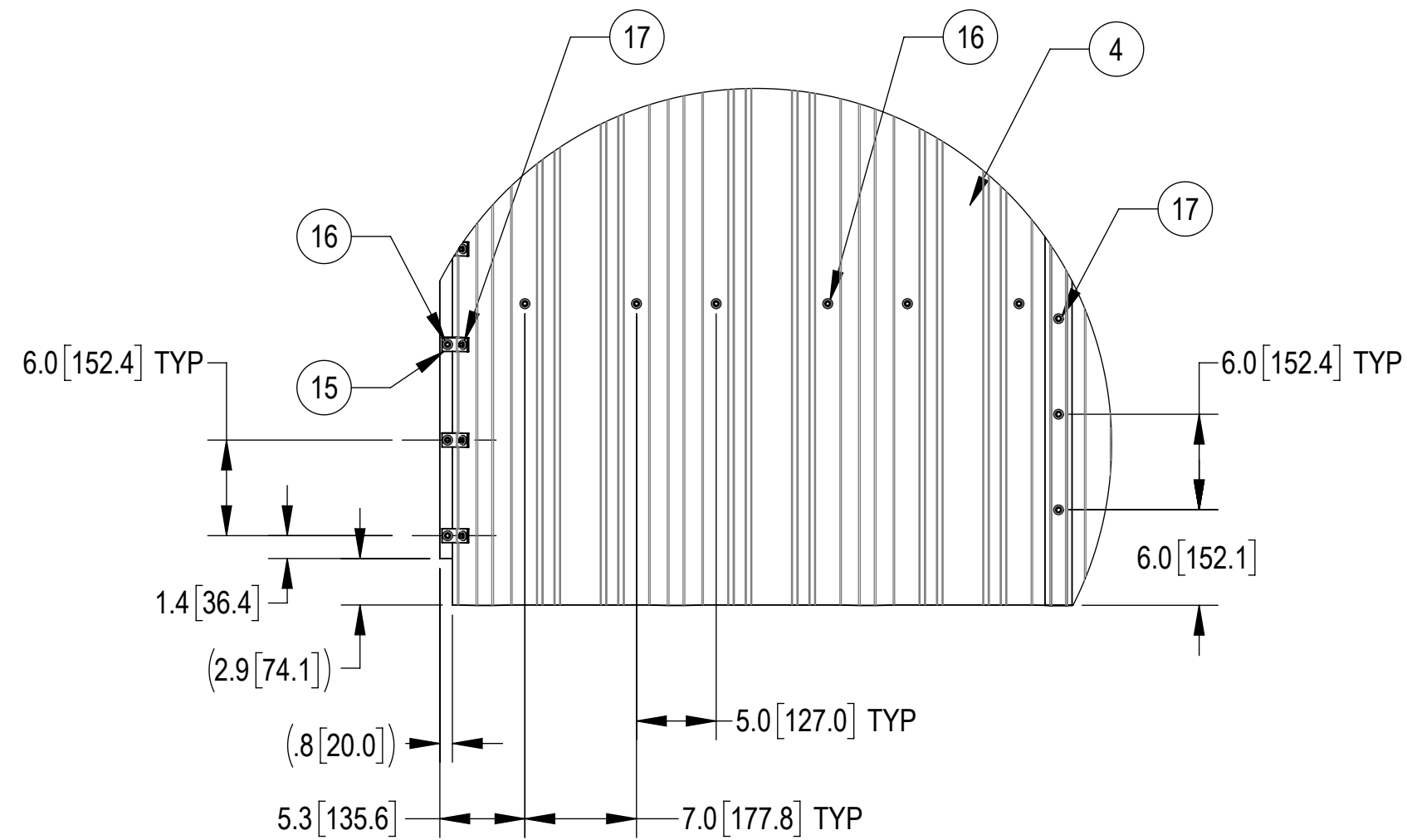
3

2

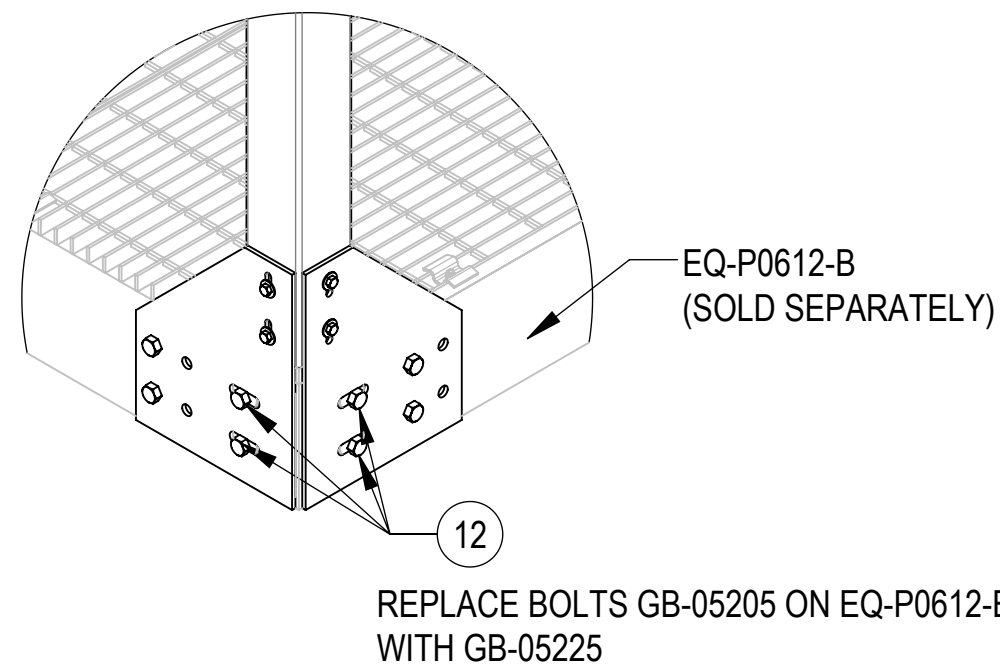
1



ATTACHED TO EQ-P0612-B VIEW



DETAIL D
SCALE 1 : 10

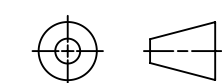


DETAIL E
SCALE 1 : 10
(4 PLACES)

COMMSCOPE, INC. OF NORTH CAROLINA

TITLE
06'X12' RAIN CANOPY, ON EQ. PLATFORM

SIZE C	SCALE 1:32	DOCUMENT NO. EQ-P0612-B-RC-P	
------------------	----------------------	---------------------------------	--



DRAWING			SHEET 4 OF 4
VERSION	STATUS	REVISION	
00	RE	A	

4

3

2

1