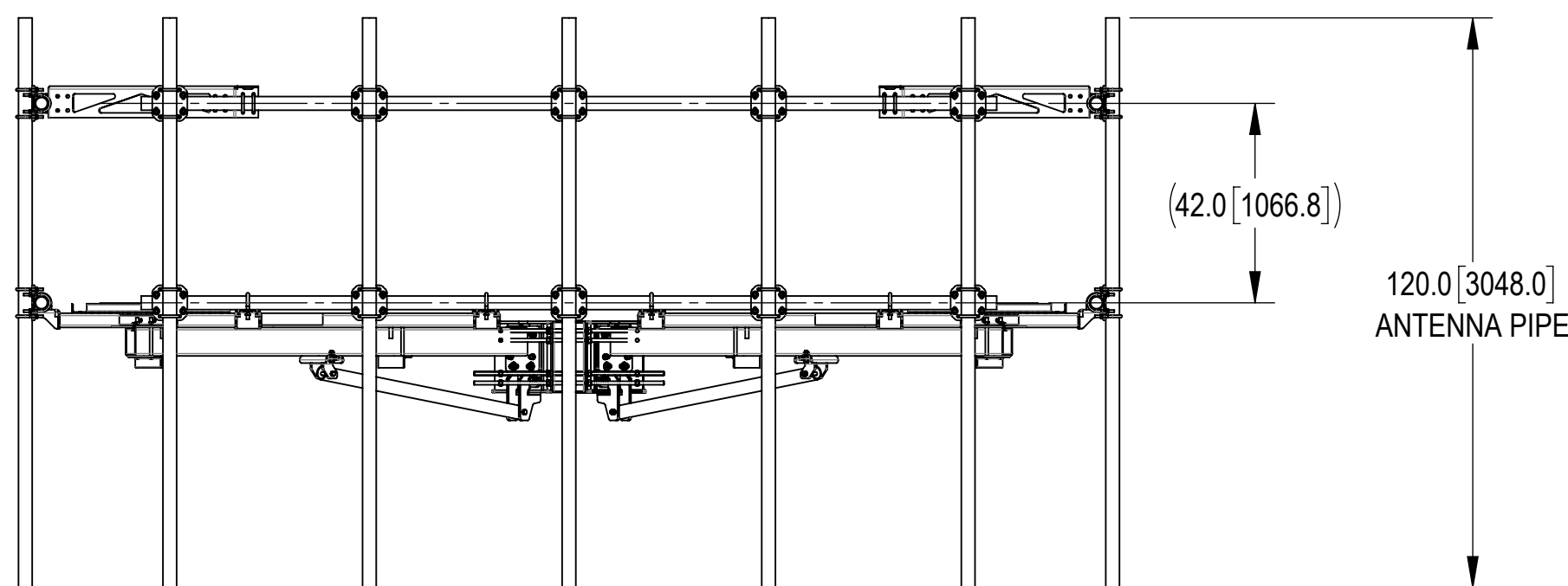
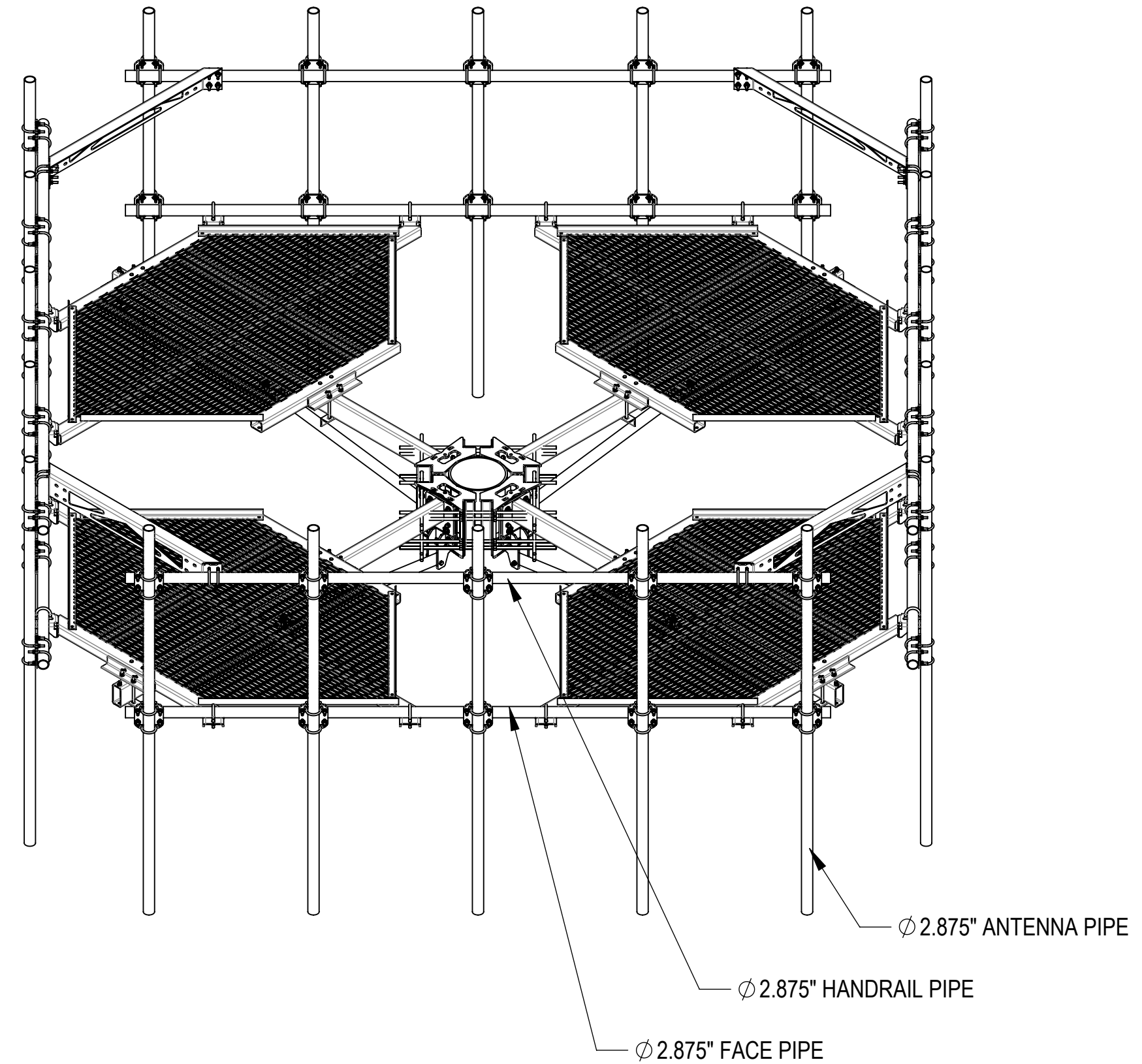
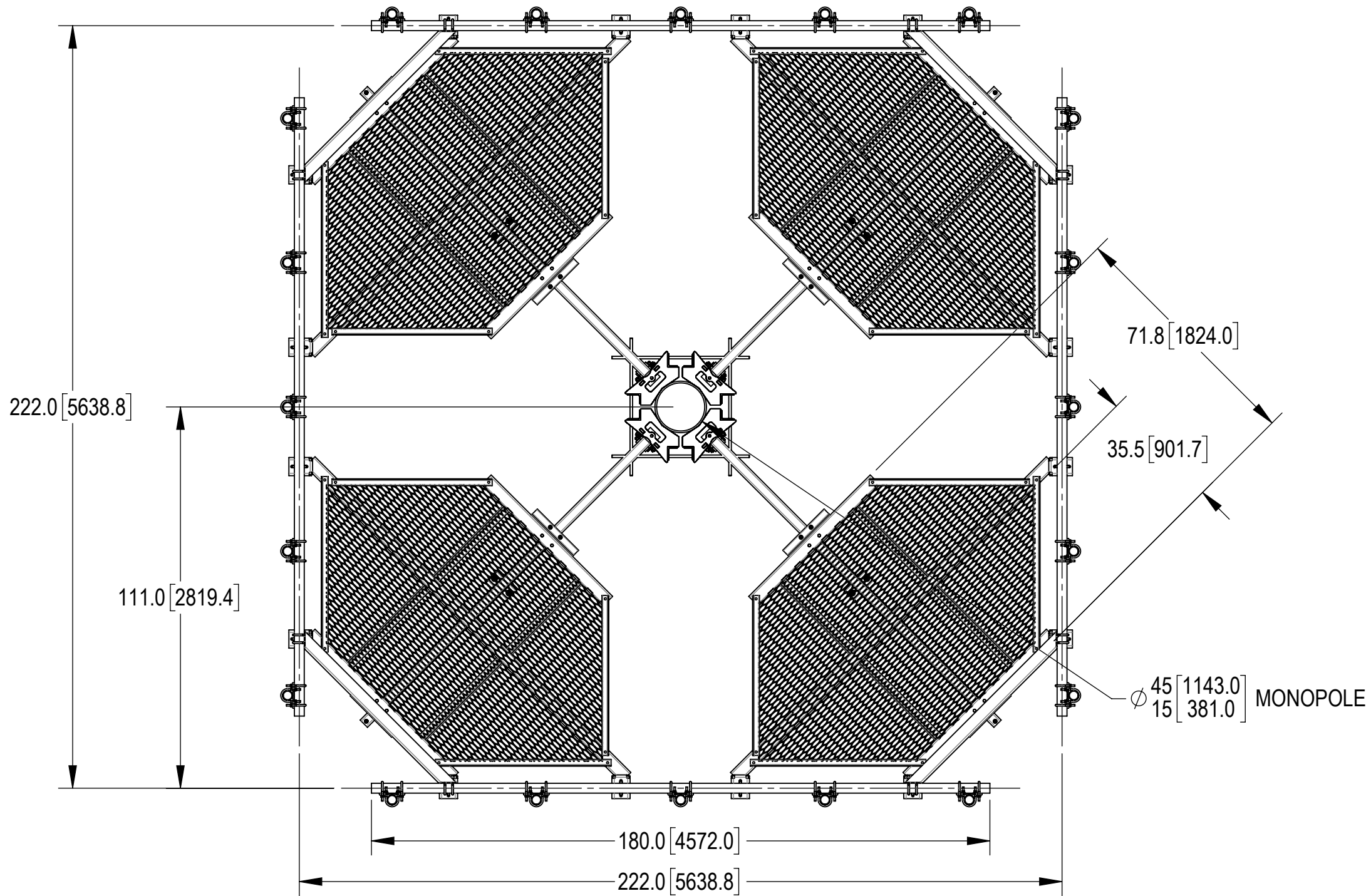


1.0 GENERAL NOTES

- 1.1 ALL METRIC DIMENSIONS ARE IN BRACKETS [X. X]
- 1.2 FOR PATENT INFO: <https://www.cs-pat.com>
- 2.0 DESIGN NOTES
 - 2.1 ANY HAZARDS OR OBSTRUCTIONS TO THE CLIMBING FACILITY AND SAFETY CLIMB MUST BE IDENTIFIED PRIOR TO INSTALLING THE APPURTENANCE. ADDITIONAL PRODUCTS MAY BE REQUIRED TO MAINTAIN THE INTEGRITY OF THE SAFETY CLIMB. DURING INSTALLATION, TEMPORARY AND/OR PERMANENT PRECAUTIONARY MEASURES SHOULD BE TAKEN TO PRESERVE THE CLIMBING FACILITY AND/OR SAFETY CLIMB.
 - 2.2 FITS MONOPOLES 15"-45" O.D.
 - 2.3 ANTENNA PIPES SHOULD BE CENTERED AND EVENLY SPACED.
 - 2.4 POSITION MOUNT OR ADJUST SAFETY CLIMB CABLE SO NOT TO HINDER OR DAMAGE OR OBSTRUCT THE SAFETY CLIMB. SAFETY CABLE ROUTING BRACKET MAY BE PURCHASED SEPARATELY.
- 3.0 MANUFACTURING/SPECIAL REQUIREMENTS
 - 3.1 TIGHTEN ALL BOLTS SECURING FLAT PLATES BY THE TURN-OF-NUT METHOD. TIGHTEN ALL U-BOLTS USING TURN-OF-NUT METHOD WITH ATTENTION TO LEAVE EQUAL DISTANCE AND EQUAL FORCE ON EACH LEG OF THE U-BOLT. ALL FASTENERS SHOULD BE TIGHTENED PER AISC 6.5.2.
 - 3.2 SUGGEST PRE-ASSEMBLE MINI KICKER BRACKET TO RING MOUNT ON THE GROUND.
- 4.0 TEST
- 5.0 PACKAGING
 - 5.1 PACKAGING SHALL MEET COMMSCOPE REQUIREMENTS PER DOCUMENT IS-PL-3005
 - 5.2 PRINTED DOCUMENT TO BE PLACED INSIDE POLYBAG AND THEN IN SHIPPING CONTAINER
 - 5.3 EXTRA HARDWARE MAY BE SUPPLIED, BAGGED AND SHIPPED

REVISIONS			
REV.	DESCRIPTION	DATE	APPROVED
A	INITIAL RELEASE	JL1183 13MAY24	CB1094 40195402CMO



PROPERTY	VALUE	UNIT
DENSITY	6426.95	lbs/in ³
MASS	24121.34	lbs
VOLUME	200424.09	in ³
SURFACE AREA	200424.09	in ²
HEIGHT	120.0"	
LENGTH	180.0"	
WIDTH	180.0"	

COMMSCOPE, INC. OF NORTH CAROLINA

TOLERANCES: 1 PLACE .X[X] ± 0.2[6.3], 2 PLACE .XX[X] ± 0.12[3.0], 3 PLACE .XXX[X] ± 0.060[1.5], ANGLES ± 2°

SAP MATERIAL MASTER: MP-PP15M4-20C-120

NAME	DATE	TITLE
CE JL1183	13MAY24	MP,PLF,4S,15'FP,(20)120"AP,W/HR
RW JL1183	06/03/2024	
AD CB1094	06/05/2024	
RE JL1183	06/05/2024	
ECN 40195402CMO		

SCALE: 1:32 DOCUMENT NO. MP-PP15M4-20C-120

SIZE	Auth Group	INSL	MODEL	DRAWING			SHEET		
C			VERSION	STATUS	REVISION	VERSION	STATUS	REVISION	
			00	RE	A	00	RE	A	1 OF 9

4

3

2

1

PART NUMBERS, WEIGHTS, & EPA

TABLE 1: CONFIGURATIONS

PART NUMBER	DESCRIPTION	WEIGHT (LBS)	(EPA)A (FT^2)*	(EPA)A 1/2" ICE THICKNESS (FT^2)*	ANTENNA PIPES	INCLUDED PARTS							
						MC-RMH-1245-4	MP-PP4M-SB02	RK-60-4MK	MPPP4-HK01	MT546180	HRK4-15-B	XP-2525-8	MT546120
MP-PP15M4-20C-120	MP,PLF,4S,15'FP,(20)120"AP,W/HR	6427.0	72.87	90.49	20	1	1	1	1	4	1	5	20

* (EPA)A DOES NOT INCLUDE ANTENNA PIPES AND MOUNTING HARDWARE. IF DESIRED, ADD ANTENNA PIPE PER TABLE 2

TABLE 2: EPA OF EACH ANTENNA PIPE

ANTENNA PIPE	(EPA)A (FT^2)	(EPA)A W/ 1/2" ICE THICKNESS (FT^2)
2-7/8" X 120"	2.30	3.10

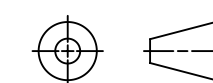
NOTE:

- ANTENNA PIPES ARE CONSIDERED SEPARATELY.
- KA FACTOR OF 4-SECTOR EPA INCLUDED.
- COMBINE THE ASSOCIATED EPA VALUES IN THE TABLES ABOVE TO DETERMINE THE EPA OF A MOUNT MODEL WITH A LISTED MOUNT PIPE CONFIGURATION. FOR EXAMPLE, MP-PP15M4-20C-120 HAS A 4-SECTOR EPA OF 72.87 FT2 WITH NO ICE PLUS 20 ANTENNA PIPES WITH A 4-SECTOR EPA OF 20X2.30=46.00 FT2 WITH NO ICE. SO, THE TOTAL EPA OF 118.87 FT2 FOR THE MP-PP15M4-20C-120.

COMMSCOPE, INC. OF NORTH CAROLINA

TITLE
MP,PLF,4S,15'FP,(20)120"AP,W/HR

SIZE C	SCALE 1:32	DOCUMENT NO. MP-PP15M4-20C-120
------------------	----------------------	-----------------------------------



DRAWING			SHEET 2 OF 9
VERSION	STATUS	REVISION	
00	RE	A	

4

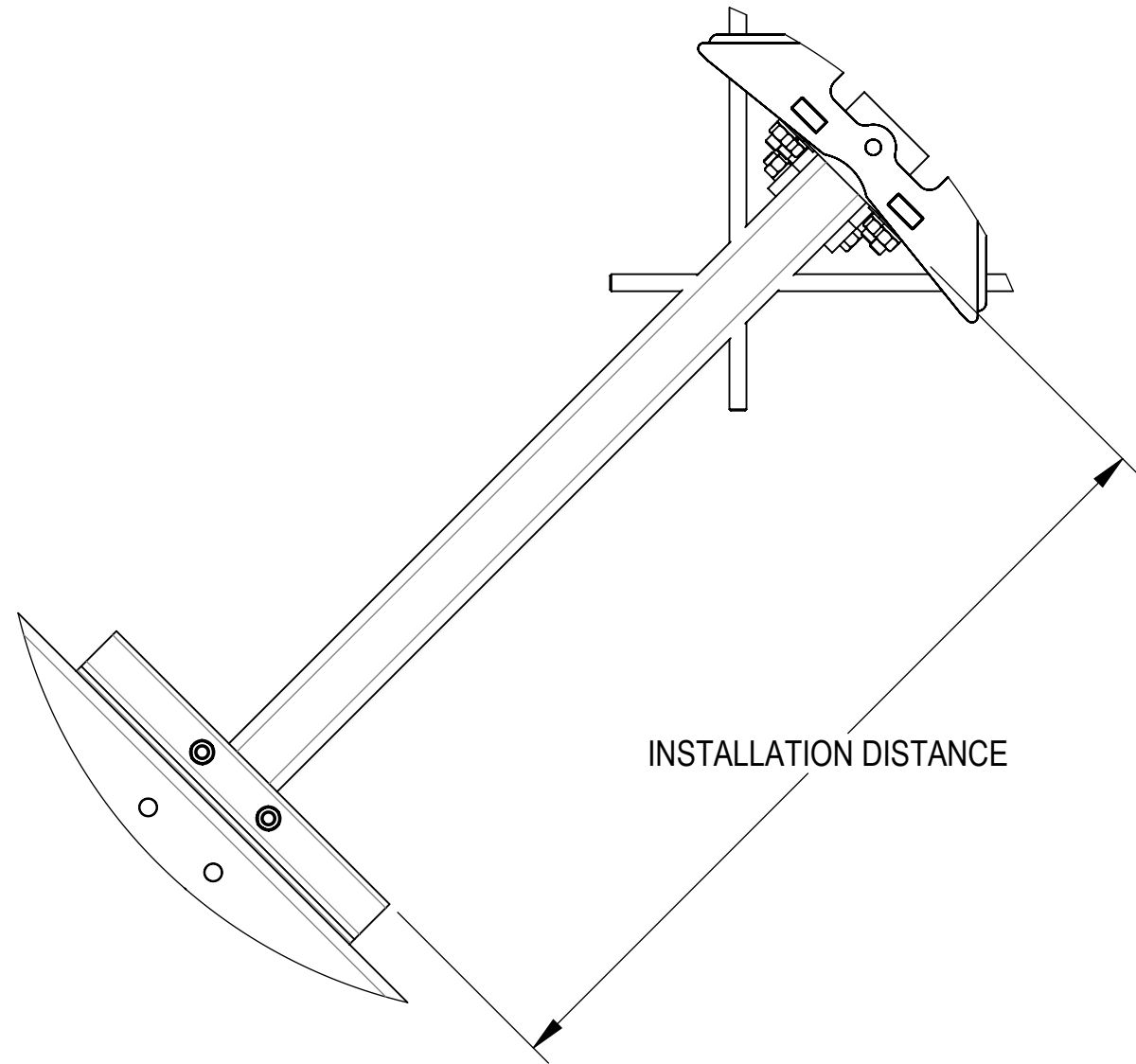
3

2

1

PLATFORM FOR INSTALLATION

ADJUST THE INSTALLATION DISTANCE ACCORDING TO THE DIAMETER OF THE MONOPOLE WHEN INSTALL PLATFORM MP-PP4-4000-00.
SEE TABLE 3 DETAIL FOR THE DISTANCE ADJUSTED.



DETAIL A
SCALE 1 : 8

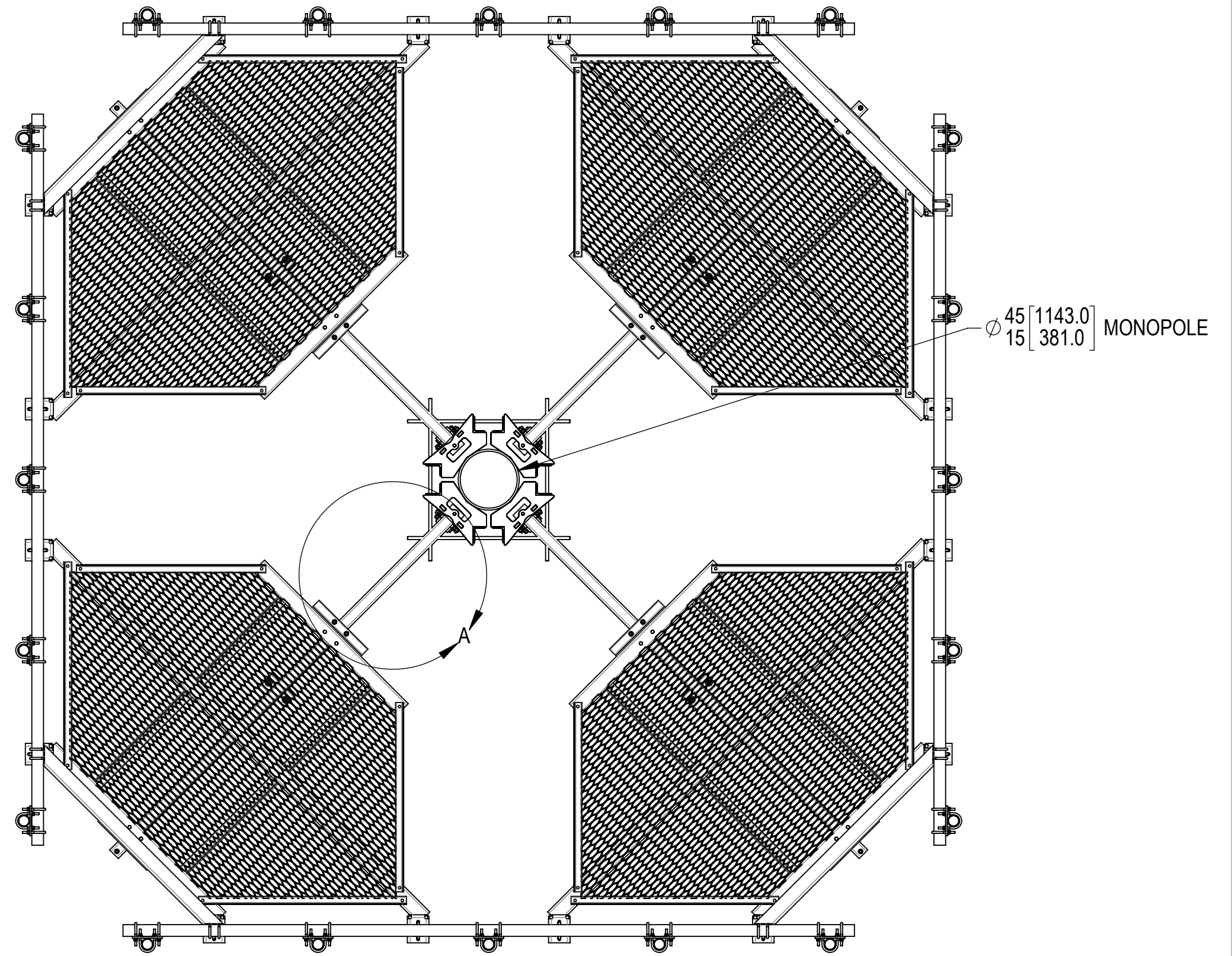
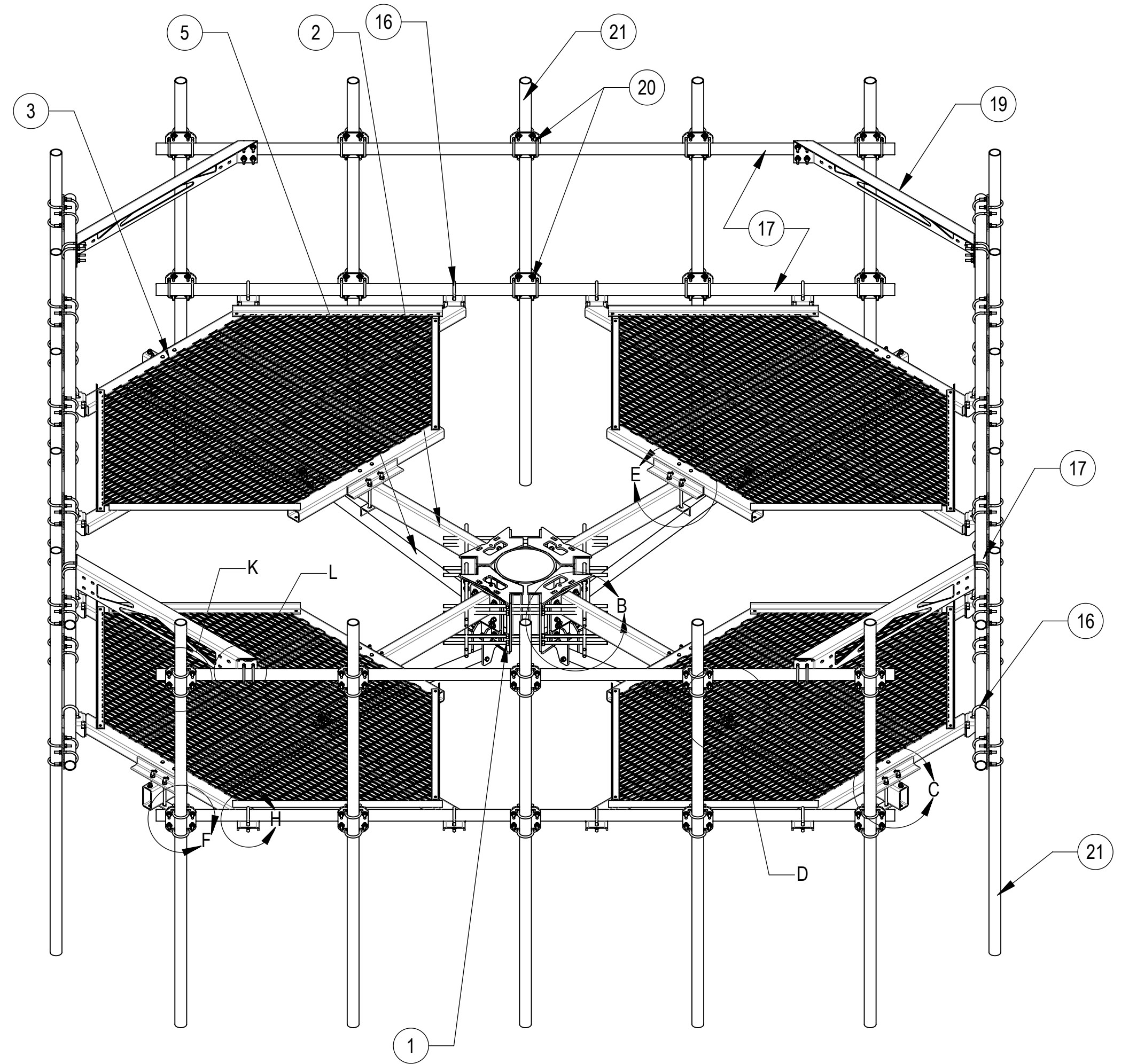
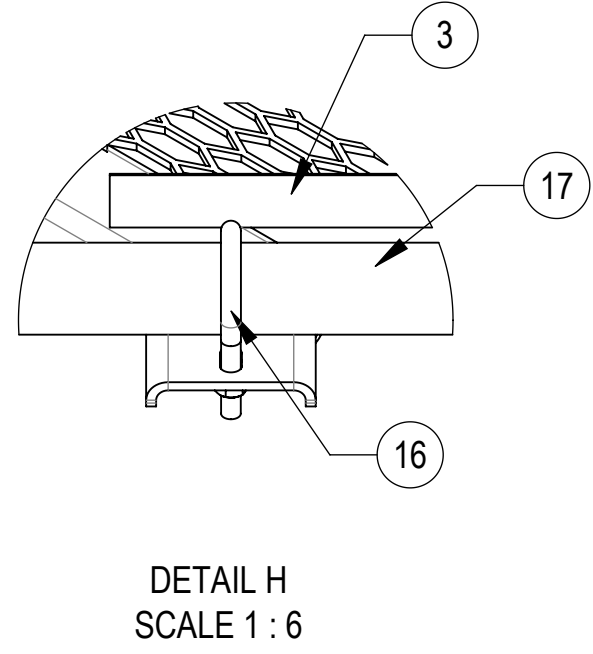
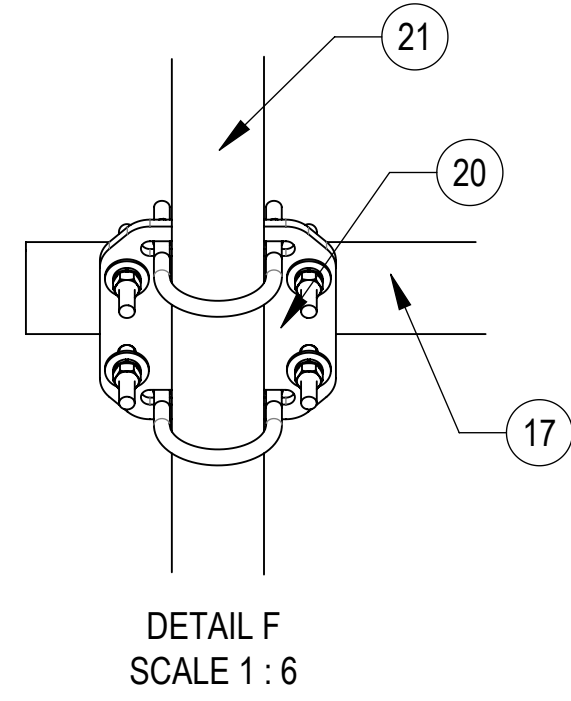
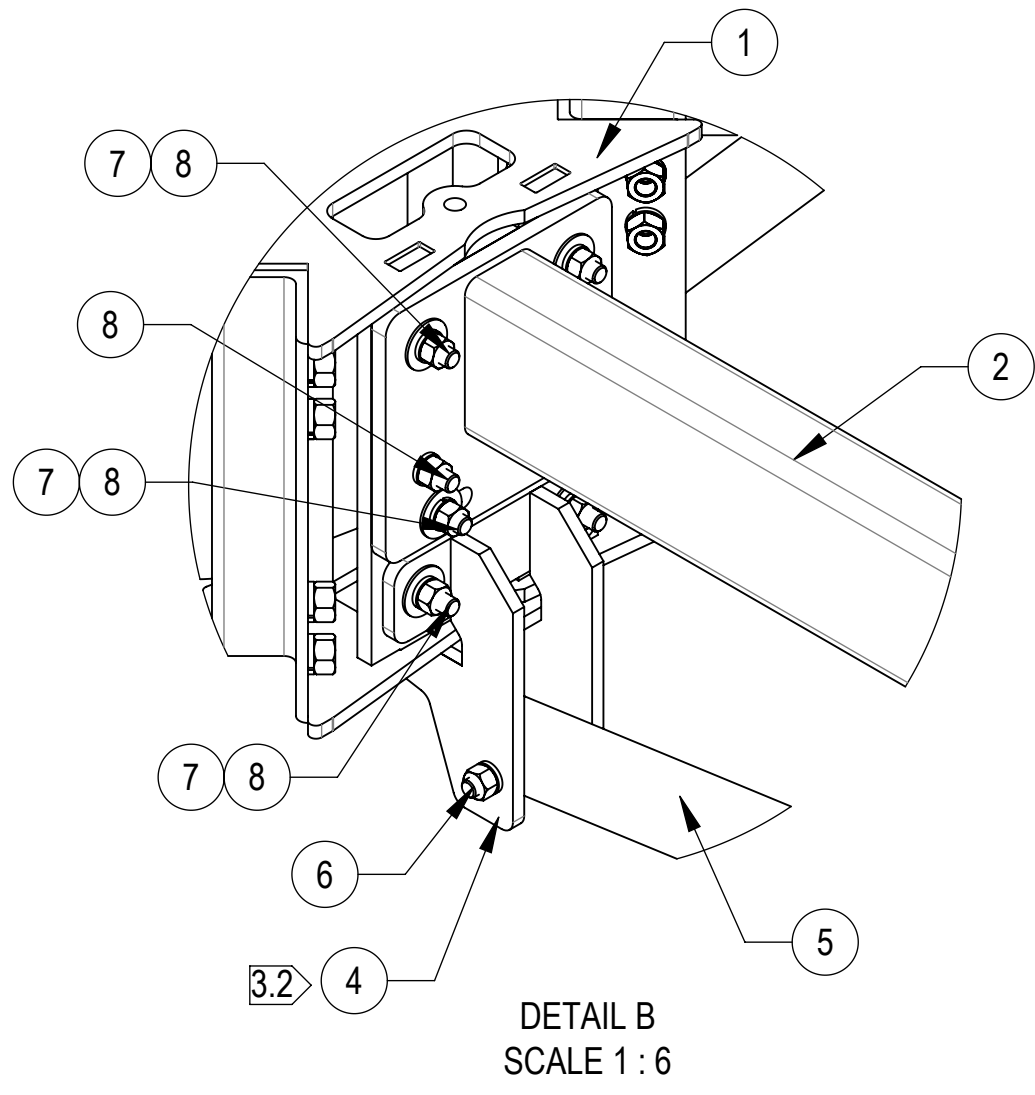


TABLE 3: PLATFORM INSTALLATION POSITION

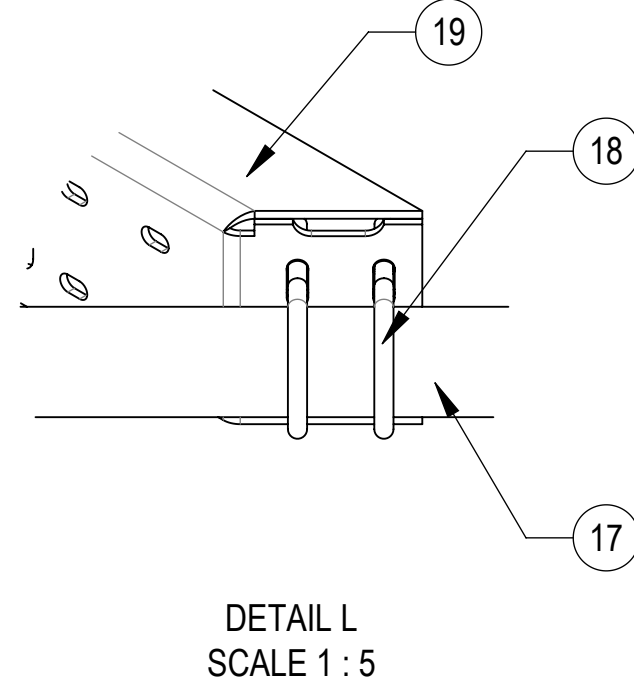
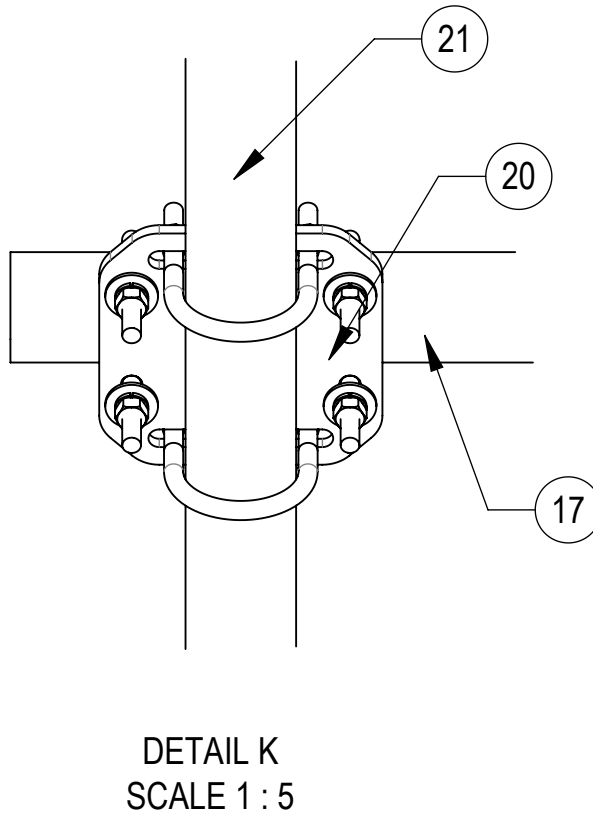
DIAMETER OF MONOPOLE (INCH)	DISTANCE (INCH)	DIAMETER OF MONOPOLE (MM)	DISTANCE (MM)
15.0	36.68	381.0	931.67
17.5	35.41	444.5	899.29
20.0	34.13	508.0	866.90
22.5	32.86	571.5	834.52
25.0	31.58	635.0	802.13
27.5	30.31	698.5	769.75
30.0	29.03	762.0	737.36
32.5	27.76	825.5	704.98
35.0	26.48	889.0	672.59
37.5	25.21	952.5	640.21
40.0	23.93	1016.0	607.82
42.5	22.66	1079.5	575.44
45.0	21.38	1143.0	543.05

NOTE: FOR MONOPOLE DIAMETERS THAT ARE NOT IN THE TABLE, USE BELOW FORMULA TO GET THE VALUE OF THE ADJUSTMENT:
DISTANCE OF ADJUSTMENT = 44.33-0.51*D (INCH), WHERE D(INCH) IS THE DIAMETER OF MONOPOLE

COMMSCOPE, INC. OF NORTH CAROLINA			
TITLE MP,PLF,4S,15'FP,(20)120"AP,W/HR			
SIZE C	SCALE 1:23	DOCUMENT NO. MP-PP15M4-20C-120	
DRAWING		VERSION	STATUS
REVISION		00	RE
SHEET 3 OF 9			REVISION A



THREADED ROD
FIELD TRIM AS NEEDED

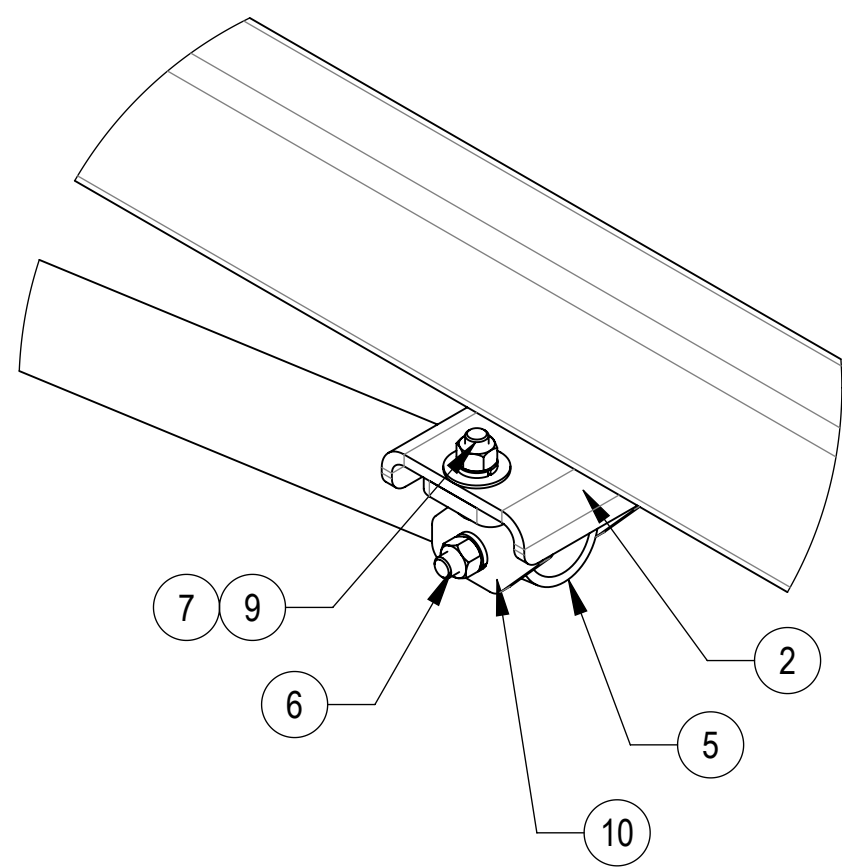


(HIDDEN SOME PARTS FOR CLARITY)

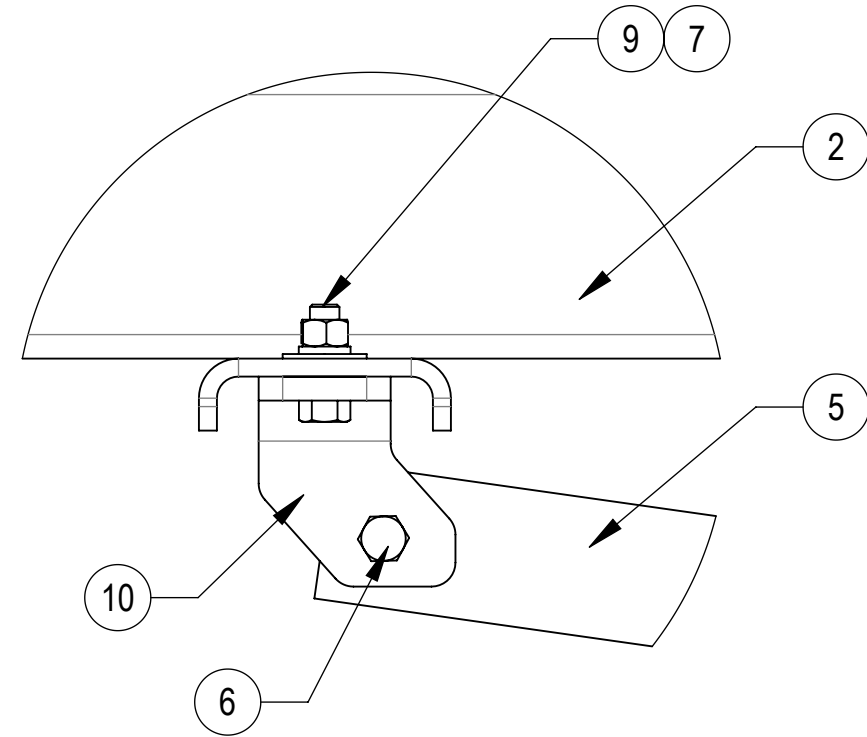
COMPONENT PART NUMBERS PROVIDED FOR ASSEMBLY PURPOSES;
INDIVIDUAL COMPONENTS MAY BE SHIPPED AS PARTS WITHIN AN INCLUDED KIT.

ITEM NO.	PART NUMBER	DESCRIPTION	QTY.	WEIGHT
1	MC-RMHD-1545-4	4 SECTOR RING MOUNT, 15"-45" POLE	4	386.57LBS
2	MP-PP4-3000-00	WELDMENT, MONO PLATF SPINDLE	4	154.57 LBS
3	MP-PP4-4000-00	WELDMENT, CO-LOCATION PLATFORM DECK	4	404.55 LBS
4	MC-AS-6100-00	WELDMENT, MINI KICKER BRACKET	4	14.77 LBS
5	RK60HD-00	MINI KICKER ARM SUPPORT TUBE 60"	4	37.99 LBS
6	GB-0550A	5/8" X 5" GALV BOLT KIT (A325)	8	0.52 LBS
7	GWF-05	5/8" GALV FLAT WASHER, 1.7OD	44	0.06 LBS
8	GB-0524A	5/8" X 2-1/2" GALV HEX BOLT (A325)	36	0.31 LBS
9	GB-0520A	5/8" X 2" GALV BOLT KIT (A325)	8	0.26 LBS
10	MC-AS-6400-00	WELDMENT, MINI KICKER CLIP	4	5.97 LBS
11	MC-AS-1200-00	CLAMP PLATE, CO-LOCATION PLATFORM	8	2.97 LBS
12	9615-14	BOLT, CARRIAGE, 5/8-11, 8.5, STL GALV	16	0.82 LBS
13	GWL-05	5/8" GALV LOCK WASHER	16	0.03 LBS
14	GN-05	5/8" GALV HEX NUT	16	0.08 LBS
15	GB-05125	5/8" X 1-1/4" GALV BOLT KIT	4	0.20 LBS
16	GUB-53050	5/8" X 3" X 5" GALV U-BOLT KIT	16	1.09 LBS
17	MT546180	2.875" O.D. X 180" PIPE	8	87.21 LBS
18	GUB-4352	1/2" X 3" X 5-1/4" GALV U-BOLT	16	0.71 LBS
19	MP-PP4-6000-00	CONNER WELDMEMT, HANDRAIL	4	34.20 LBS
20	XP-2525	CROSSOVER PLATE KIT, 2-7/8 OD X 2-7/8 OD	40	8.37 LBS
21	MT546120	PIPE, 2.875"OD X 120"	20	57.45 LBS

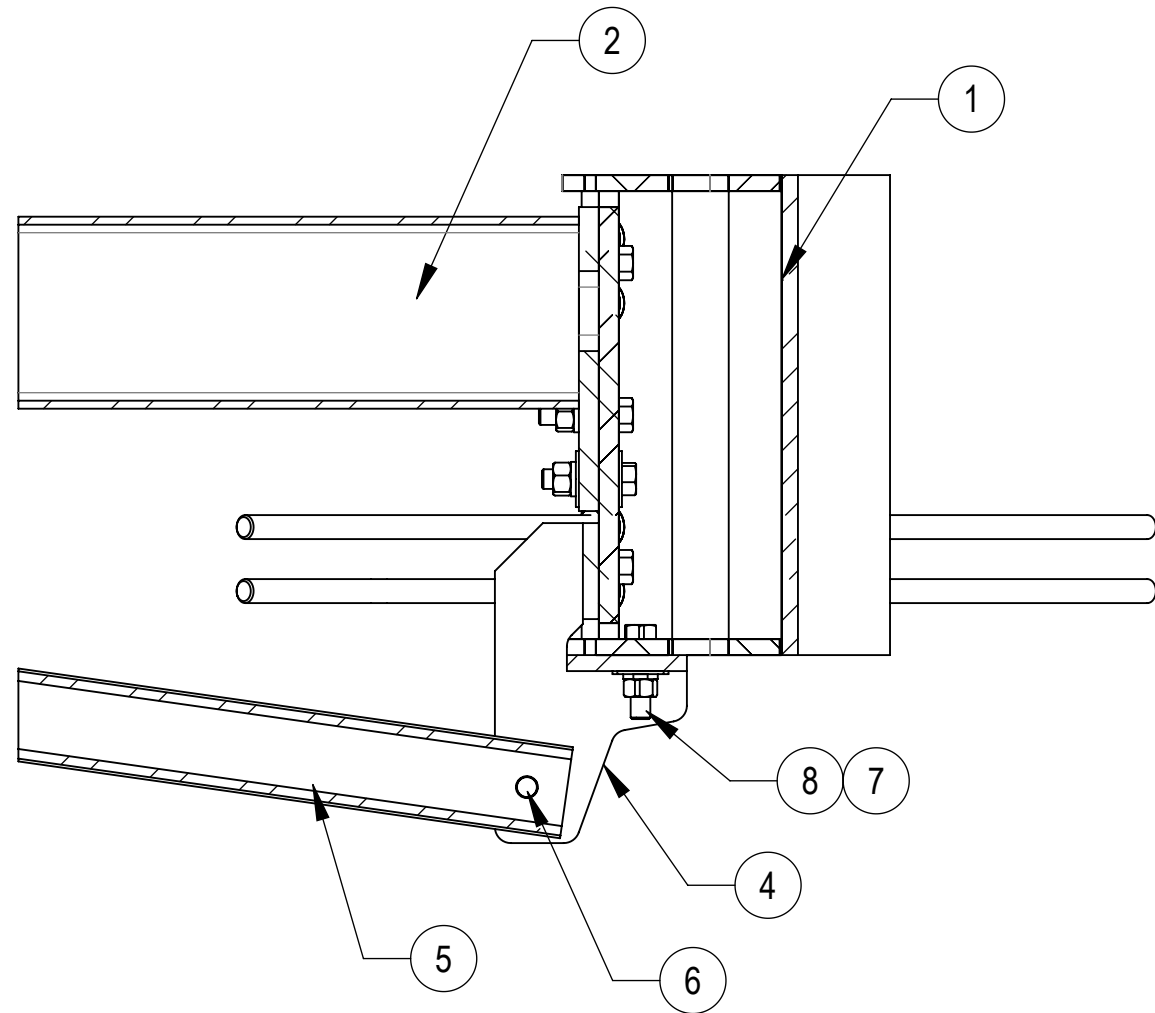
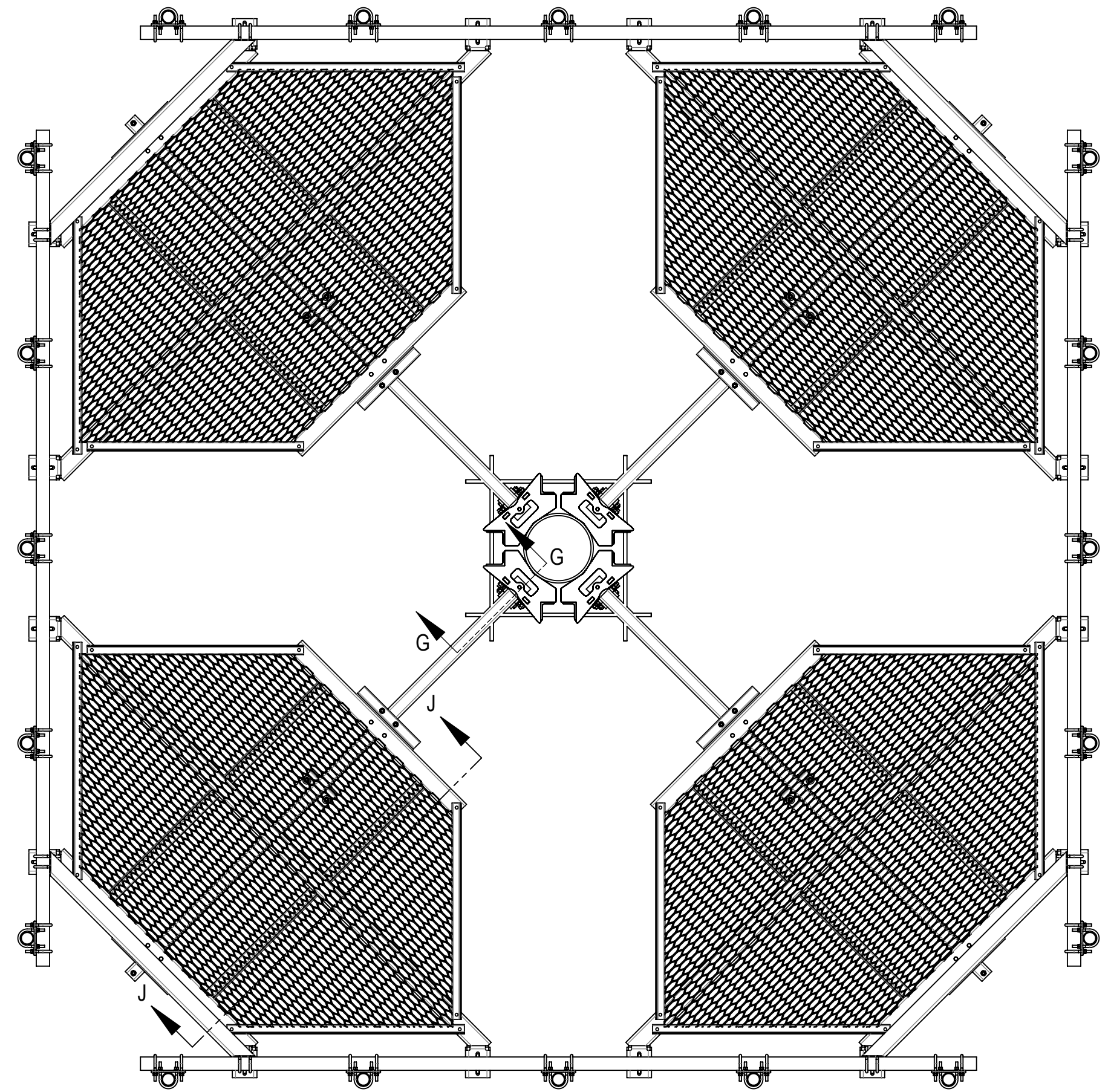
COMMSCOPE, INC. OF NORTH CAROLINA				
TITLE MP, PLF, 4S, 15'FP, (20) 120" AP, W/HR				
SIZE C	SCALE 1:25	DOCUMENT NO. MP-PP15M4-20C-120		
DRAWING		VERSION	STATUS	REVISION
SHEET		00	RE	A
4 OF 9				



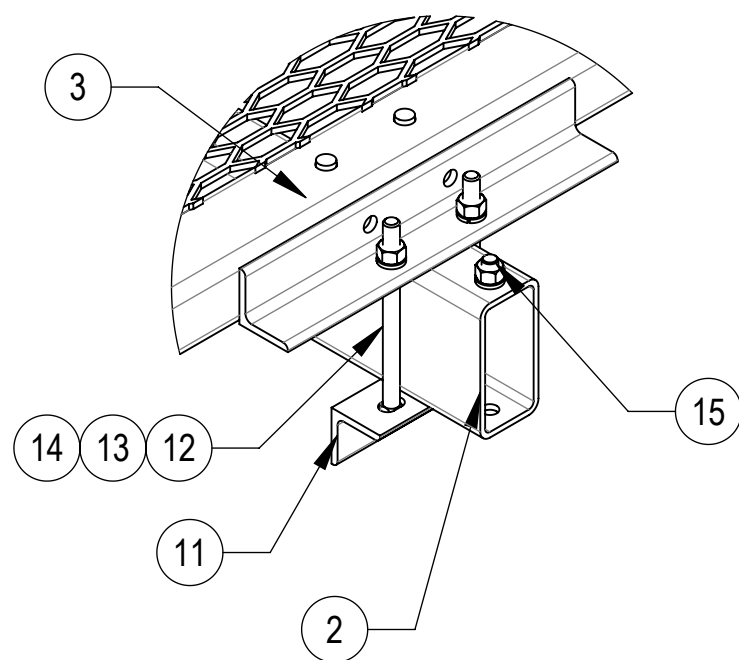
DETAIL D
SCALE 1:5



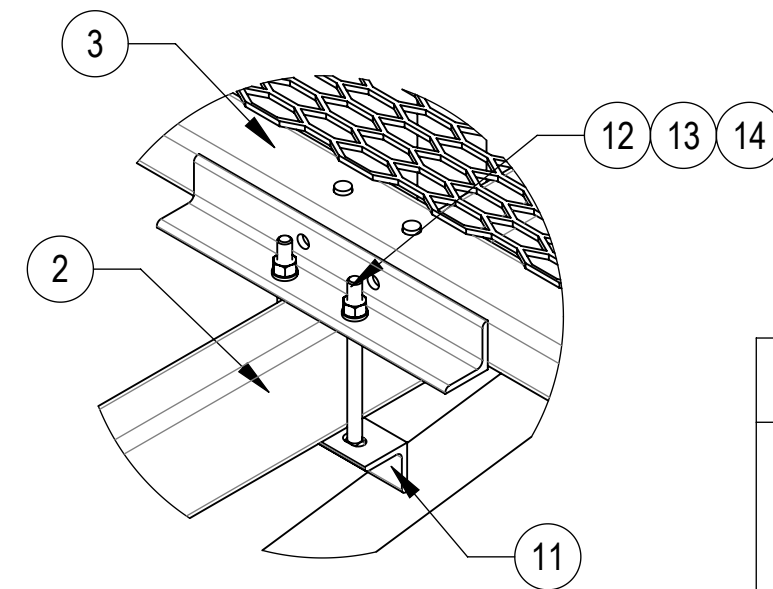
VIEW J-J
SCALE 1:4
ROTATED CROP VIEW



SECTION G-G
SCALE 1:6
ROTATED VIEW



DETAIL C
SCALE 1:7

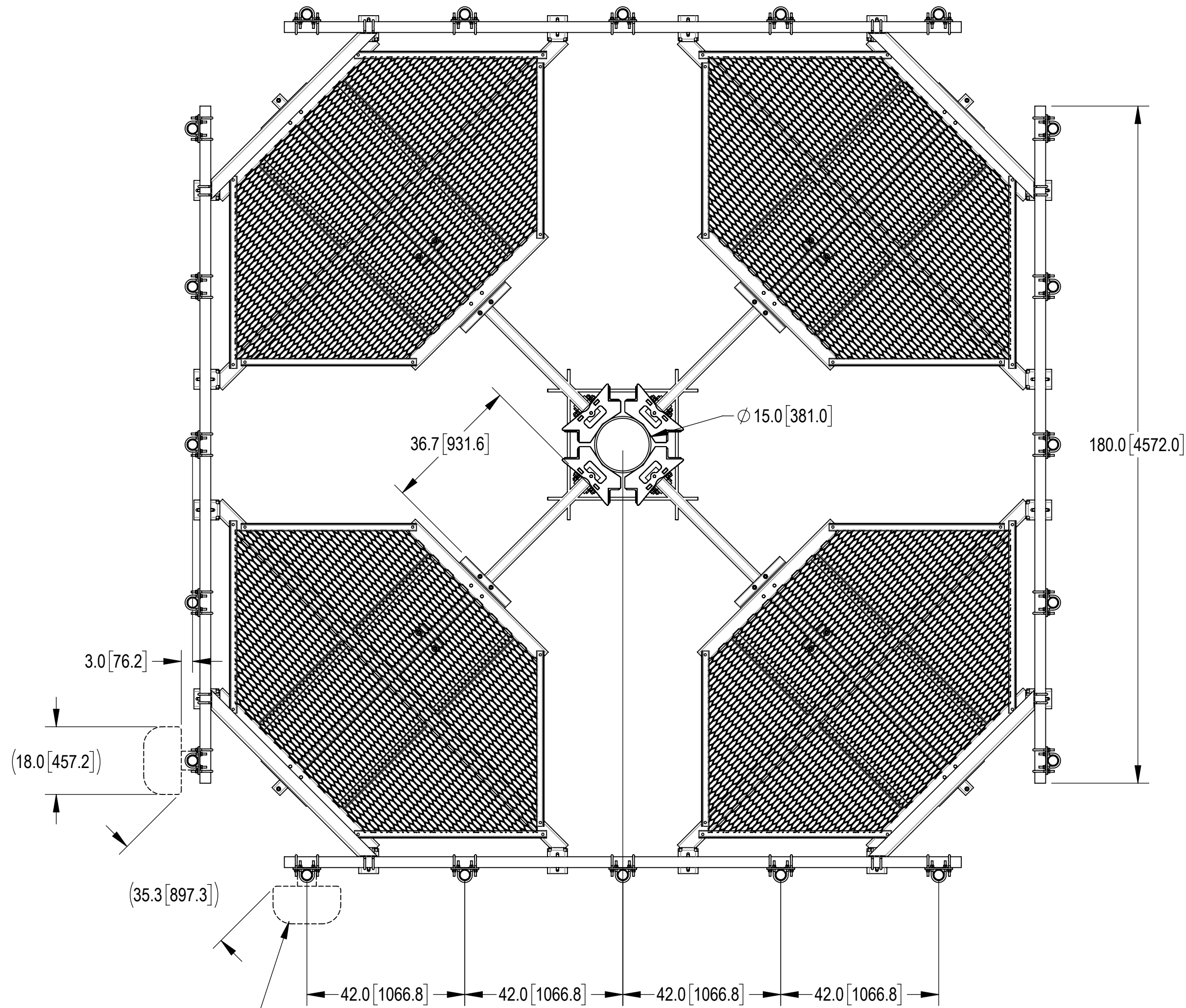


DETAIL E
SCALE 1:8

(HIDDEN SOME PARTS FOR CLARITY)

COMMSCOPE, INC. OF NORTH CAROLINA					
TITLE MP,PLF,4S,15'FP,(20)120"AP,W/HR					
SIZE C	SCALE 1:25	DOCUMENT NO. MP-PP15M4-20C-120			
		DRAWING			SHEET
		VERSION	STATUS	REVISION	5 OF 9
		00	RE	A	

ANTENNA SPACING SHOWN



ANTENNA SHOWN FOR REFERENCE
(NOT INCLUDED IN THIS KIT)

15" MONOPOLE

COMMSCOPE, INC. OF NORTH CAROLINA				
TITLE MP,PLF,4S,15'FP,(20)120"AP,W/HR				
SIZE C	SCALE 1:25	DOCUMENT NO. MP-PP15M4-20C-120		
		DRAWING		SHEET
		VERSION	STATUS	REVISION
		00	RE	A
				6 OF 9

4

3

2

1

D

D

C

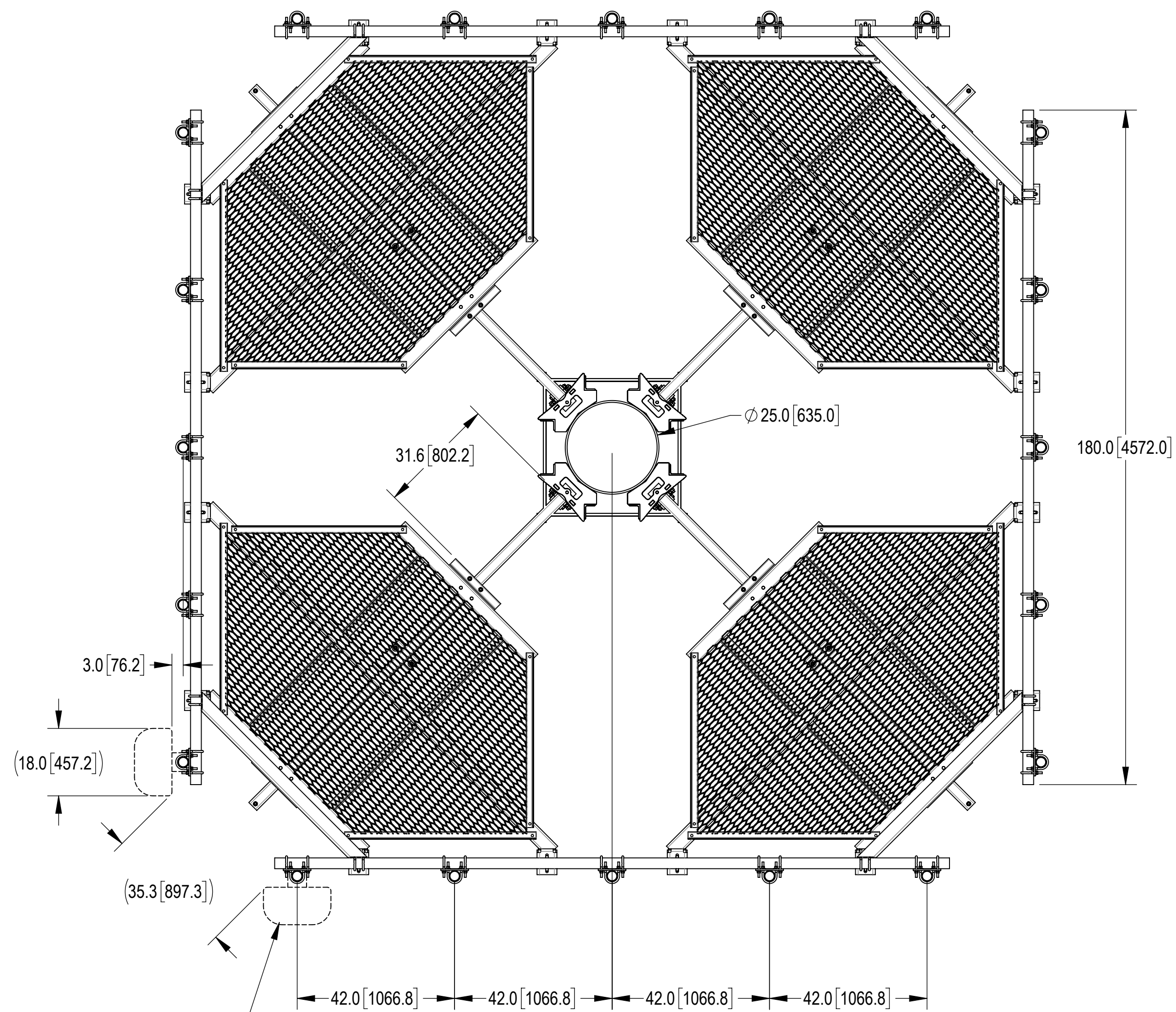
C

B

B

A

A



ANTENNA SHOWN FOR REFERENCE
(NOT INCLUDED IN THIS KIT)

25" MONOPOLE

COMMSCOPE, INC. OF NORTH CAROLINA				
TITLE MP,PLF,4S,15'FP,(20)120"AP,W/HR				
SIZE C	SCALE 1:25	DOCUMENT NO. MP-PP15M4-20C-120		
		DRAWING		SHEET
		VERSION	STATUS	REVISION
		00	RE	A
				7 OF 9

4

3

2

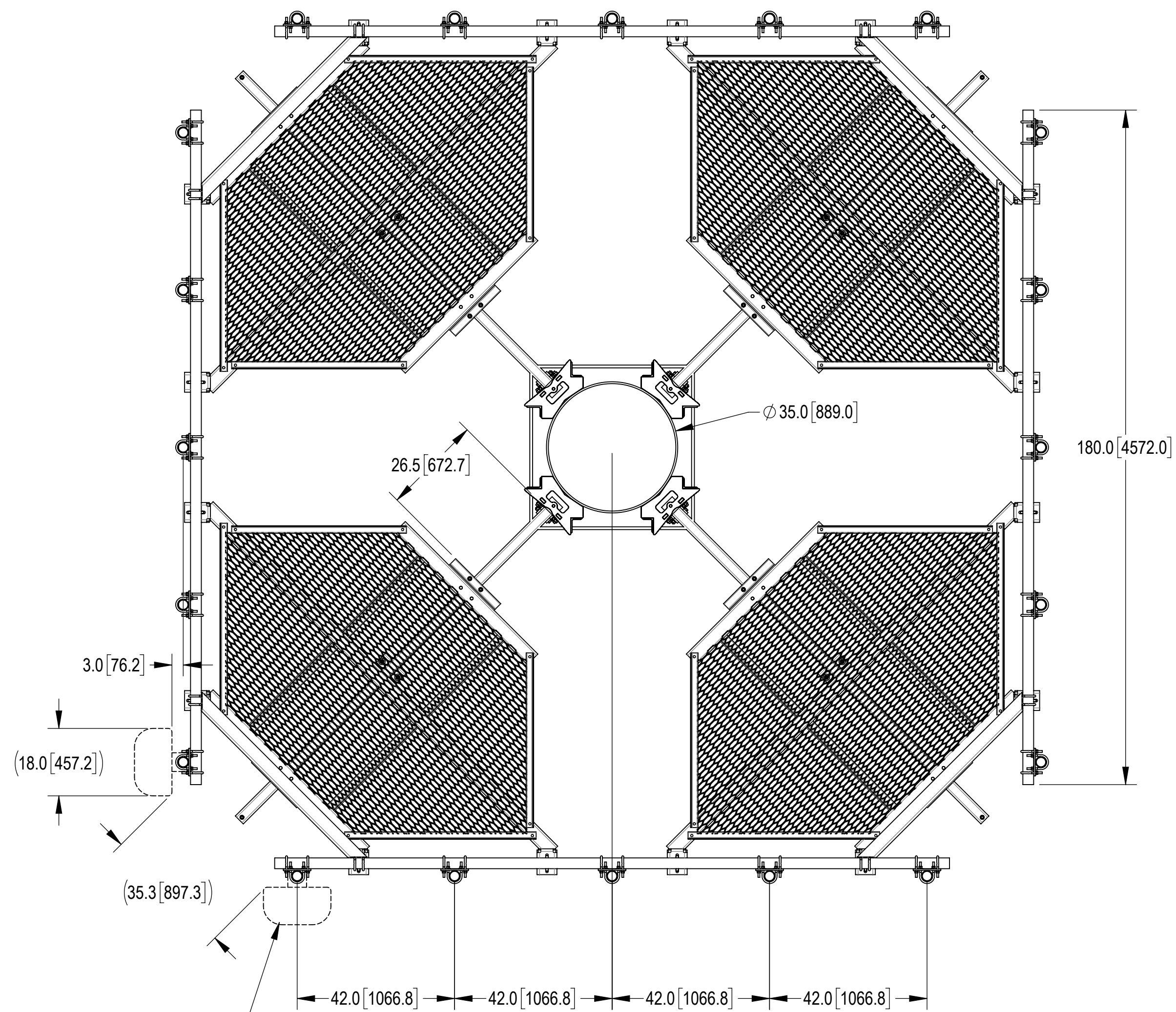
1

4

3

2

1



ANTANNA SHOWN FOR REFERENCE
(NOT INCLUDED IN THIS KIT)

35" MONOPOLE

COMMSCOPE, INC. OF NORTH CAROLINA				
TITLE MP,PLF,4S,15'FP,(20)120"AP,W/HR				
SIZE C	SCALE 1:25	DOCUMENT NO. MP-PP15M4-20C-120		
		DRAWING		SHEET
		VERSION	STATUS	REVISION
		00	RE	A
				8 OF 9

4

3

2

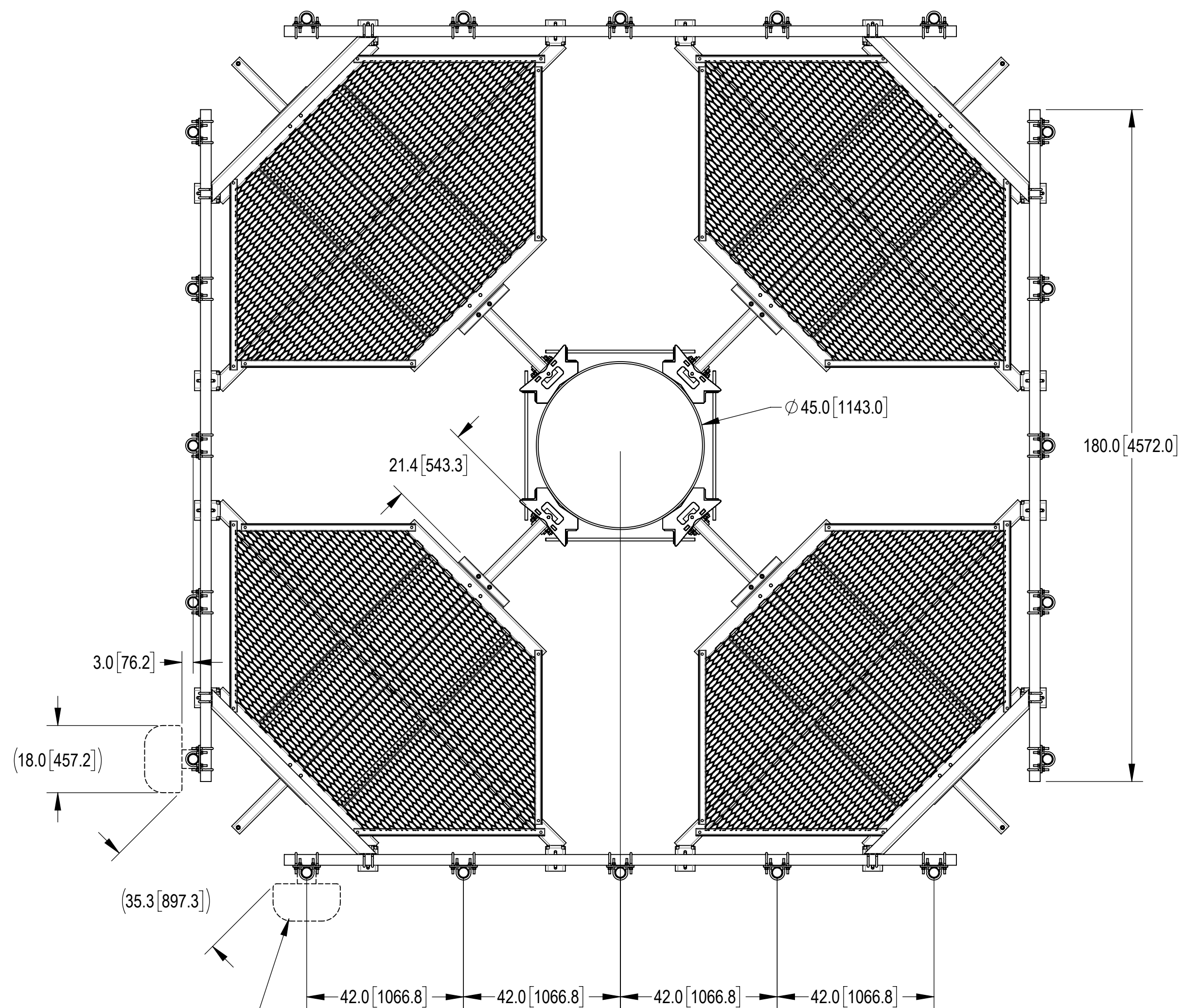
1

4

3

2

1



ANTANNA SHOWN FOR REFERENCE
(NOT INCLUDED IN THIS KIT)

45" MONOPOLE

COMMSCOPE, INC. OF NORTH CAROLINA				
TITLE MP,PLF,4S,15'FP,(20)120"AP,W/HR				
SIZE C	SCALE 1:25	DOCUMENT NO. MP-PP15M4-20C-120		
		DRAWING		SHEET
		VERSION	STATUS	REVISION
		00	RE	A
				9 OF 9

4

3

2

1