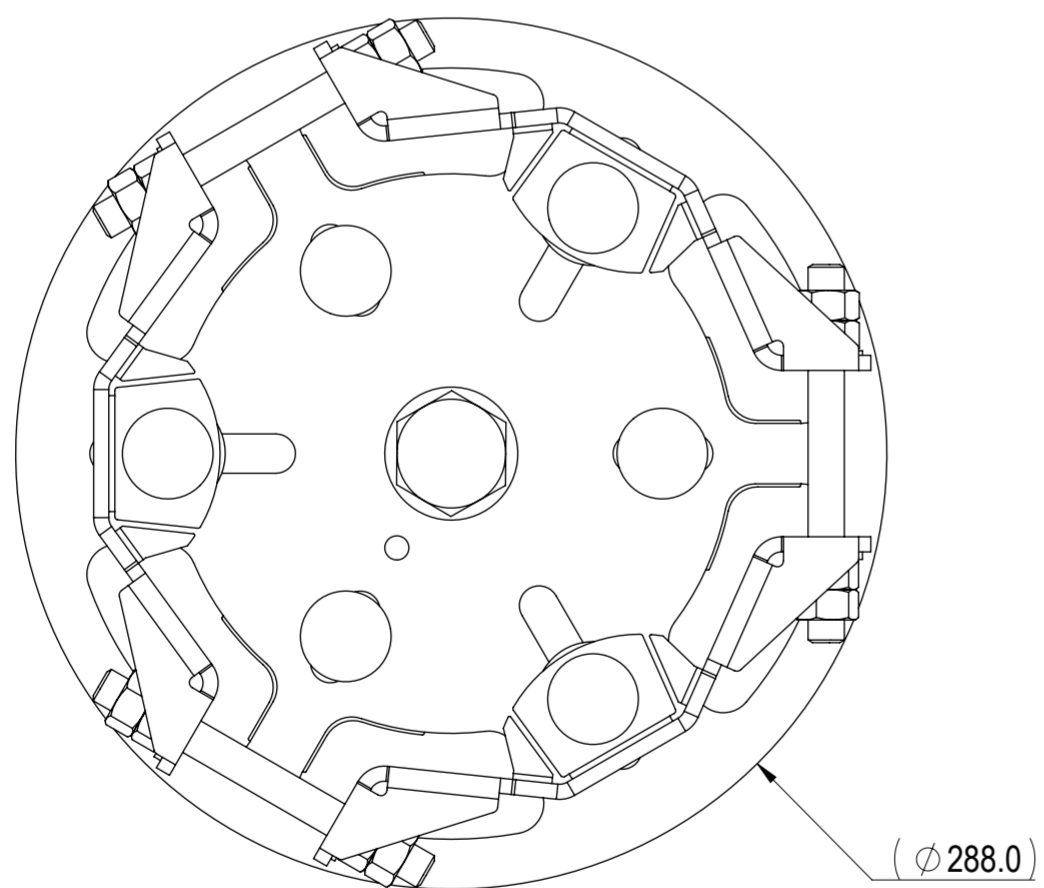
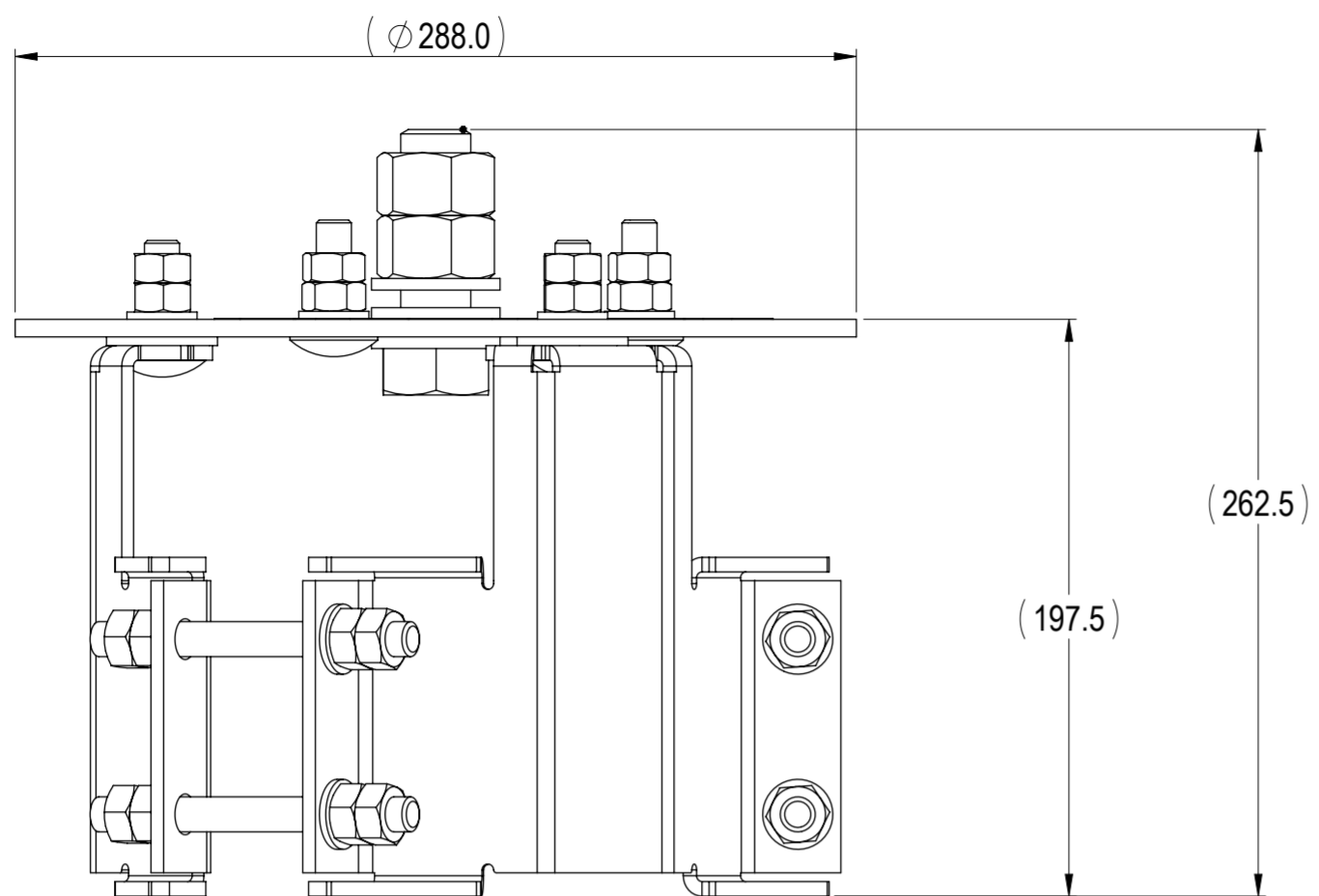
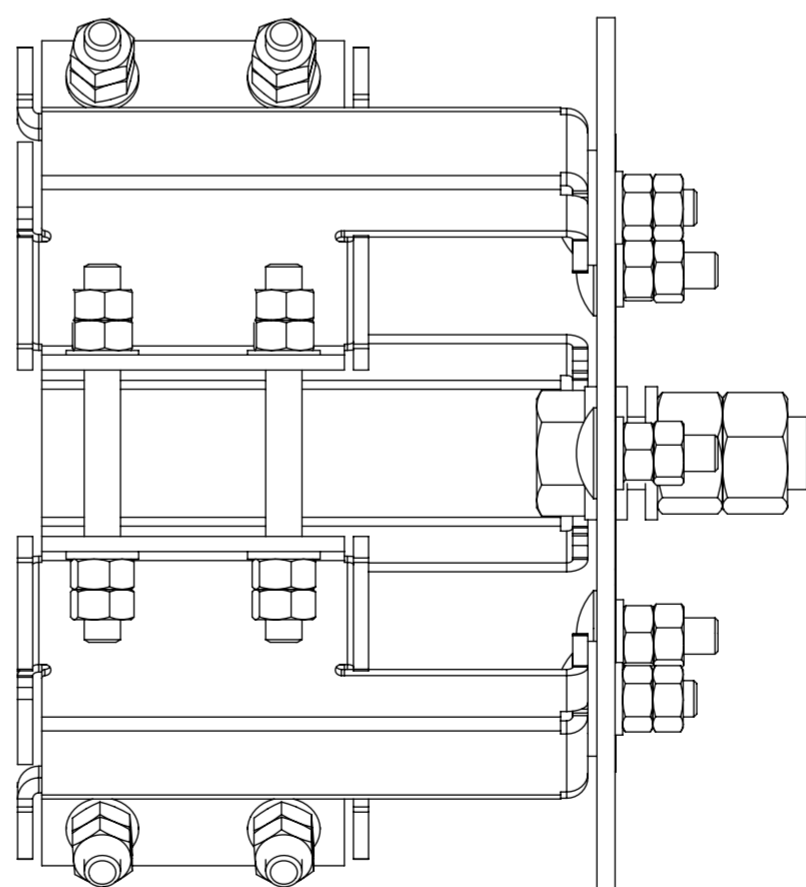


REVISIONS			
REV.	DESCRIPTION	DATE	APPROVED
A	ECR 12210PC: RELEASE TO PRODUCTION.	18MAY21 ZY	YXW/XZJ

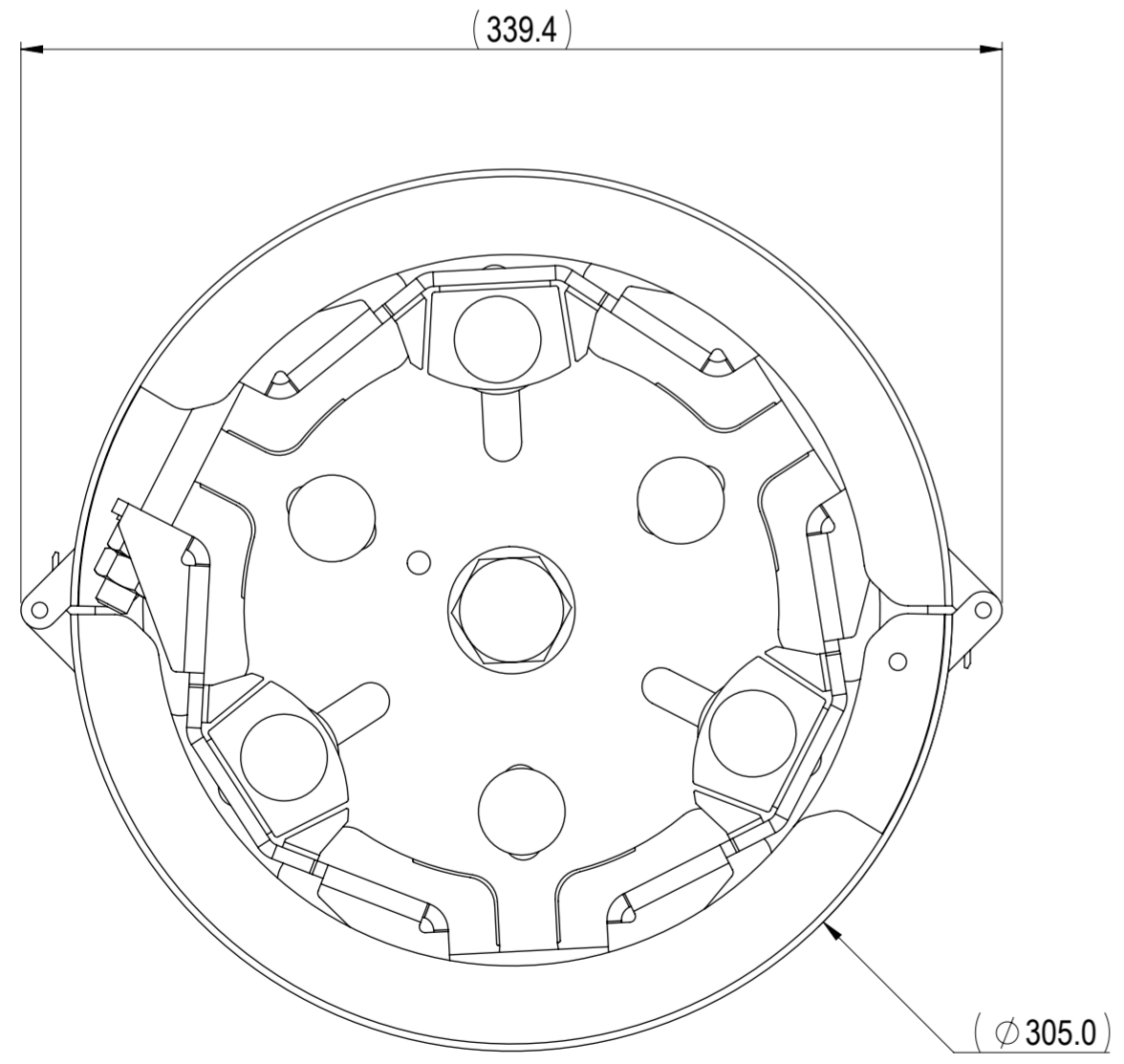
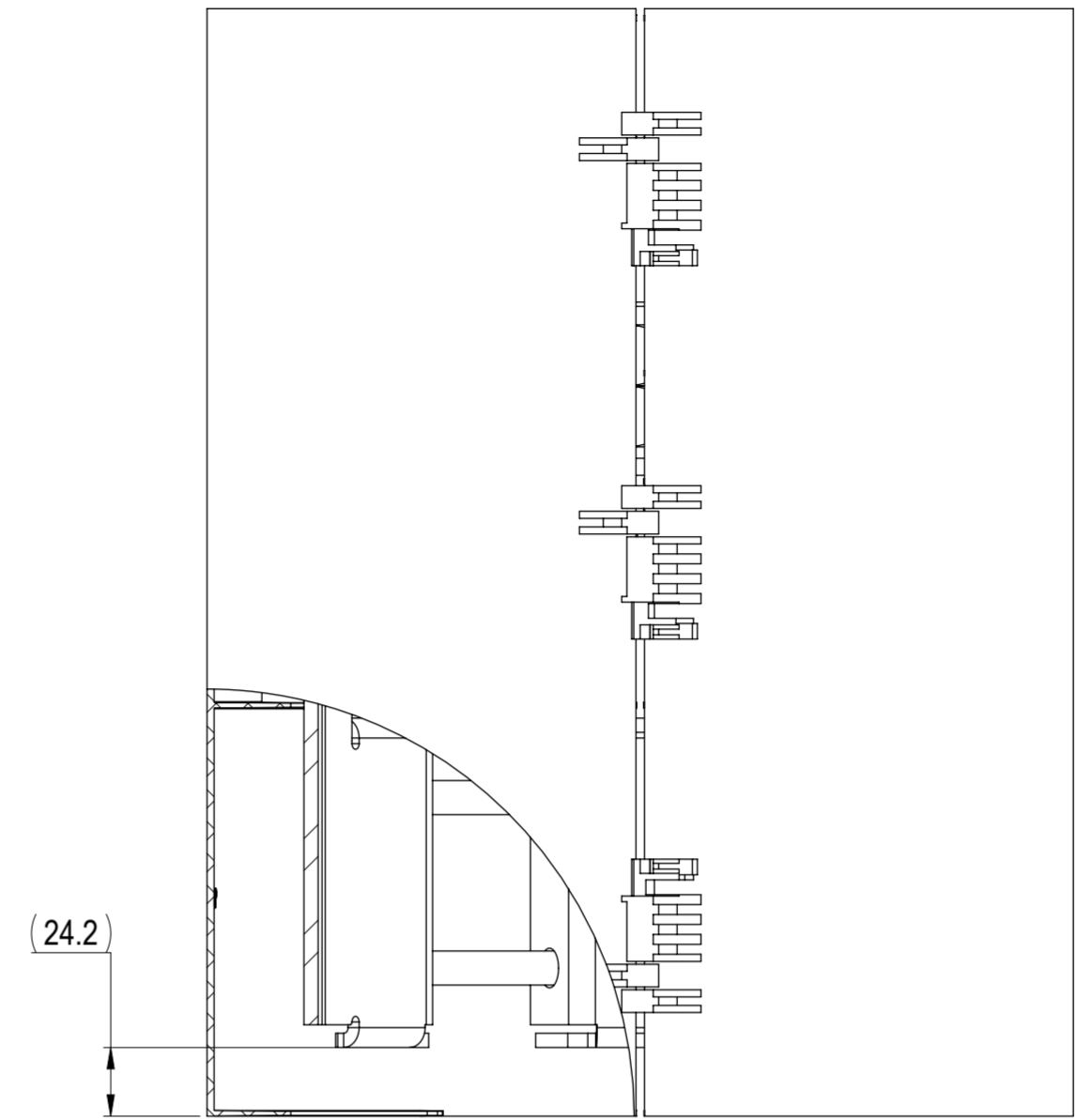
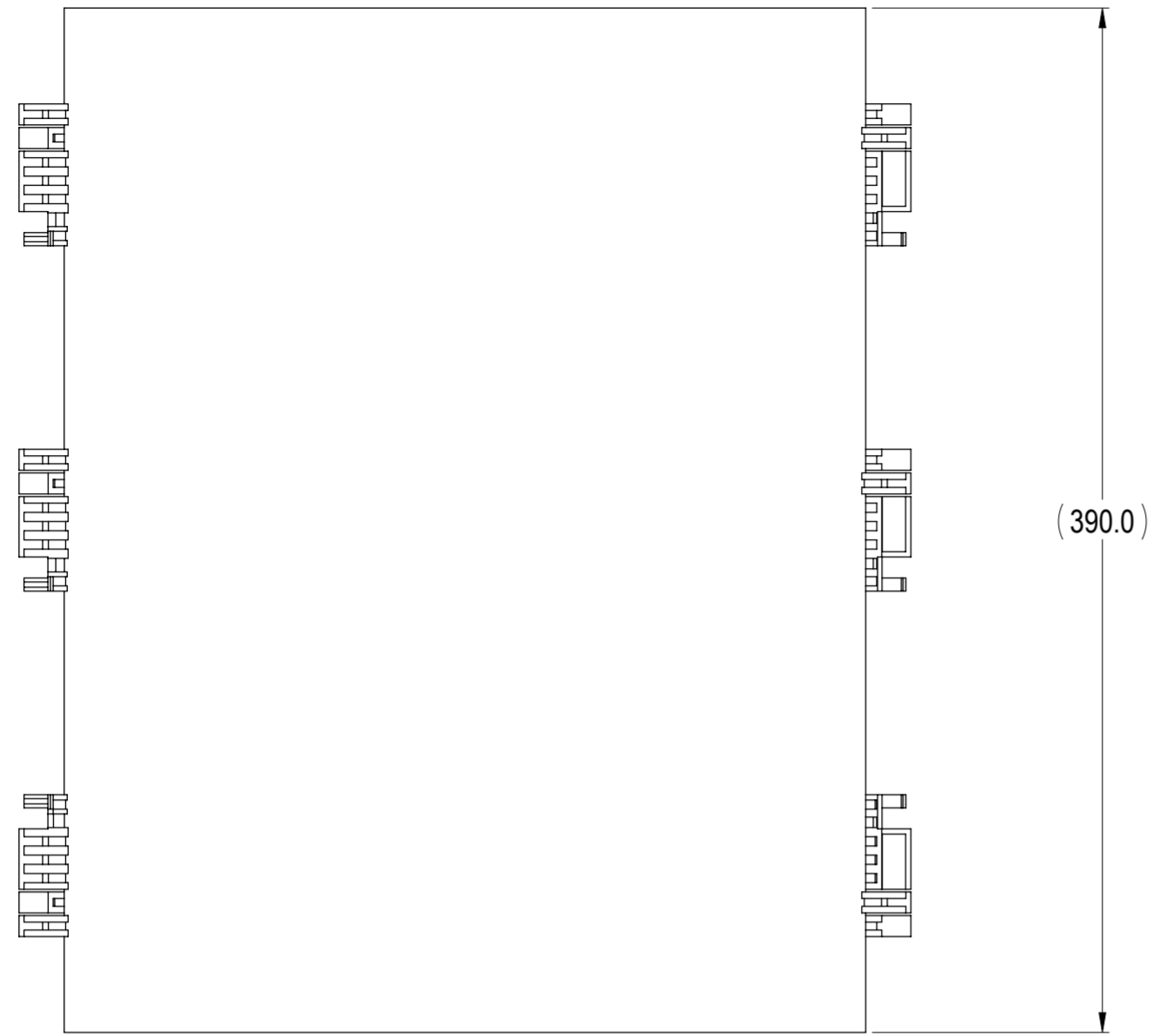


MC-MNT-TOP-3



COMMSCOPE, INC. OF NORTH CAROLINA

TOLERANCES		SAP MATERIAL MASTER																																								
0 PLACE X ±	2 PLACE .XX ±																																									
1 PLACE .X ±	ANGLES ±																																									
FINISH N/A		MATERIAL N/A																																								
UNLESS OTHERWISE SPECIFIED DIMENSIONS ARE IN MILLIMETERS INTERPRET PER ISO STANDARDS HANDBOOK TECHNICAL DRAWINGS VOLUMES 1 & 2, THIRD EDITION (2002)		PRODUCT DRAWING																																								
		SCALE: 2:5																																								
		DOCUMENT NO. MC-MNT-TOP-3-L																																								
		ECN 12210PC																																								
		A2																																								
<table border="1" style="width: 100%; font-size: 8px;"> <thead> <tr> <th>NAME</th> <th>DATE</th> <th>TITLE</th> </tr> </thead> <tbody> <tr> <td>CE YZHA1</td> <td>28APR21</td> <td rowspan="5" style="text-align: center;">PRODUCT DRAWING</td> </tr> <tr> <td>RW YZHA1</td> <td>05/18/2021</td> </tr> <tr> <td>AD XY1021</td> <td>05/18/2021</td> </tr> <tr> <td>RE XK1001</td> <td>05/18/2021</td> </tr> <tr> <td>ECN 12210PC</td> <td></td> </tr> </tbody> </table>		NAME	DATE	TITLE	CE YZHA1	28APR21	PRODUCT DRAWING	RW YZHA1	05/18/2021	AD XY1021	05/18/2021	RE XK1001	05/18/2021	ECN 12210PC		<table border="1" style="width: 100%; font-size: 8px;"> <thead> <tr> <th>SIZE</th> <th>Auth Group</th> <th>BSA</th> <th>MODEL</th> <th colspan="3">DRAWING</th> <th>SHEET</th> </tr> <tr> <th>VERSION</th> <th>STATUS</th> <th>REVISION</th> <th>VERSION</th> <th>STATUS</th> <th>REVISION</th> <th></th> </tr> </thead> <tbody> <tr> <td>A2</td> <td></td> <td></td> <td>00</td> <td>RE</td> <td>A</td> <td>00</td> <td>RE</td> <td>A</td> <td>1 OF 2</td> </tr> </tbody> </table>		SIZE	Auth Group	BSA	MODEL	DRAWING			SHEET	VERSION	STATUS	REVISION	VERSION	STATUS	REVISION		A2			00	RE	A	00	RE	A	1 OF 2
NAME	DATE	TITLE																																								
CE YZHA1	28APR21	PRODUCT DRAWING																																								
RW YZHA1	05/18/2021																																									
AD XY1021	05/18/2021																																									
RE XK1001	05/18/2021																																									
ECN 12210PC																																										
SIZE	Auth Group	BSA	MODEL	DRAWING			SHEET																																			
VERSION	STATUS	REVISION	VERSION	STATUS	REVISION																																					
A2			00	RE	A	00	RE	A	1 OF 2																																	



MC-MNT-TOP-3
WITH SHROUD COVER

COMMSCOPE, INC. OF NORTH CAROLINA				
TITLE PRODUCT DRAWING				
SIZE A2	SCALE 2:5	DOCUMENT NO. MC-MNT-TOP-3-L		
DRAWING				SHEET
VERSION 00	STATUS RE	REVISION A	2 OF 2	