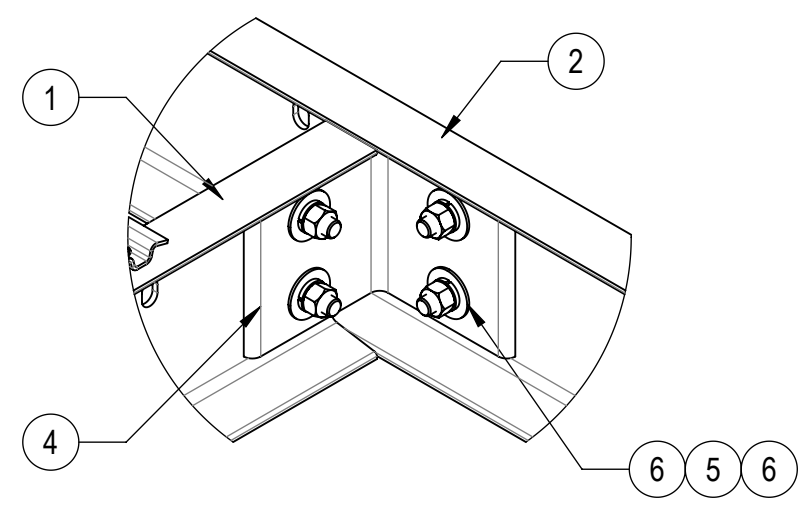
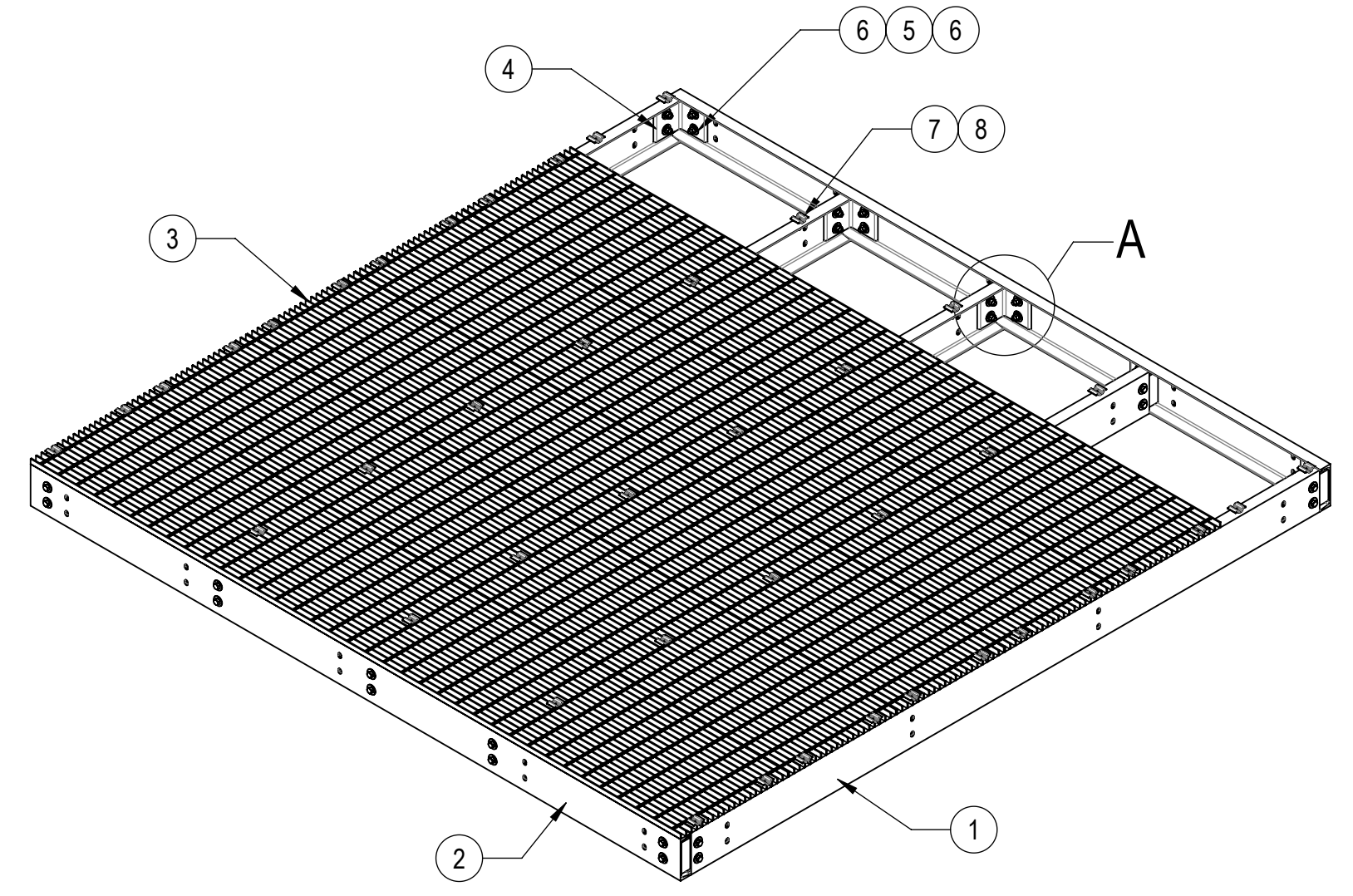
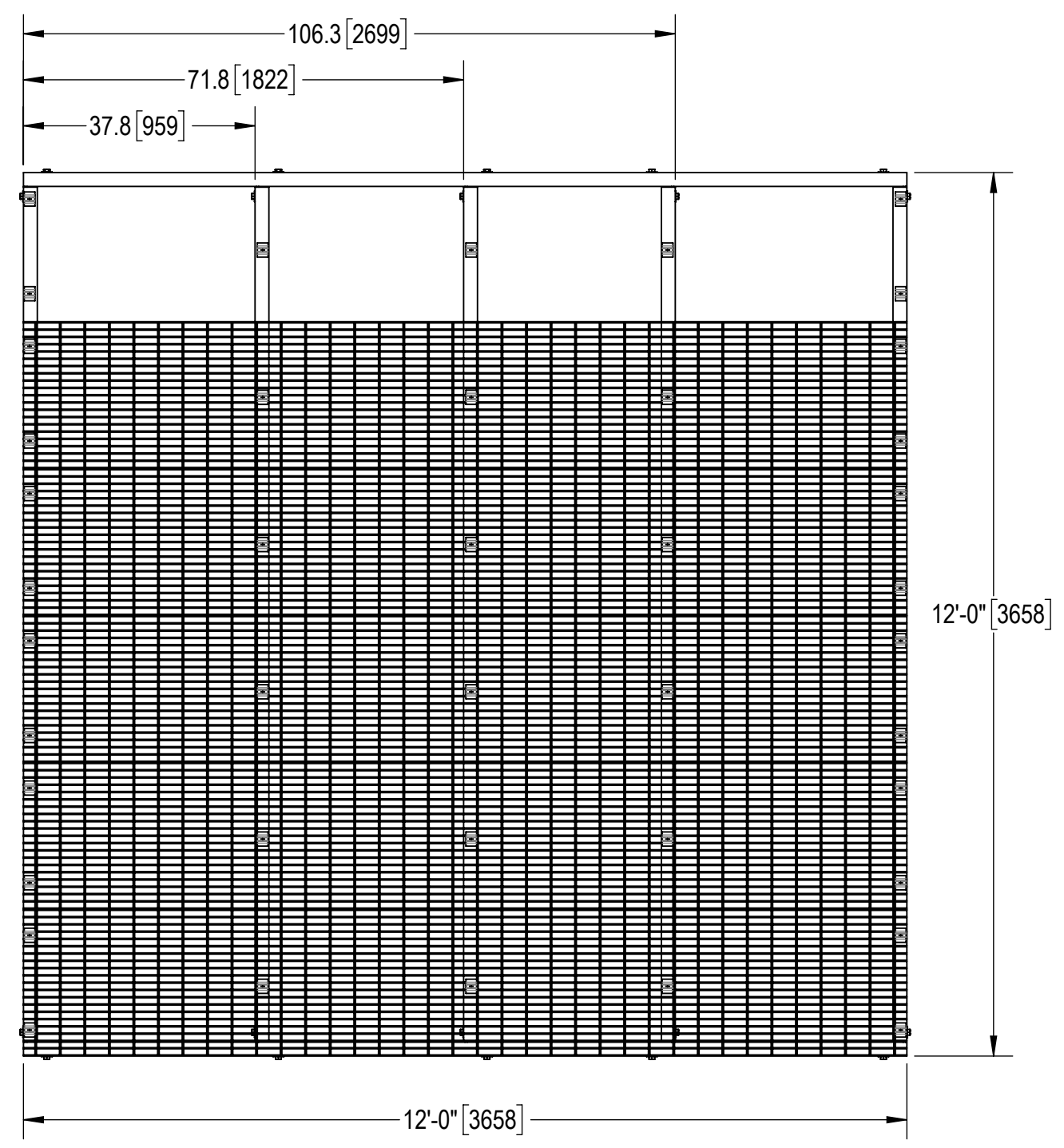
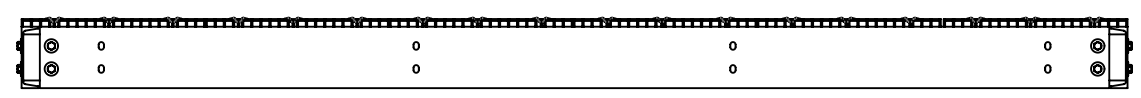
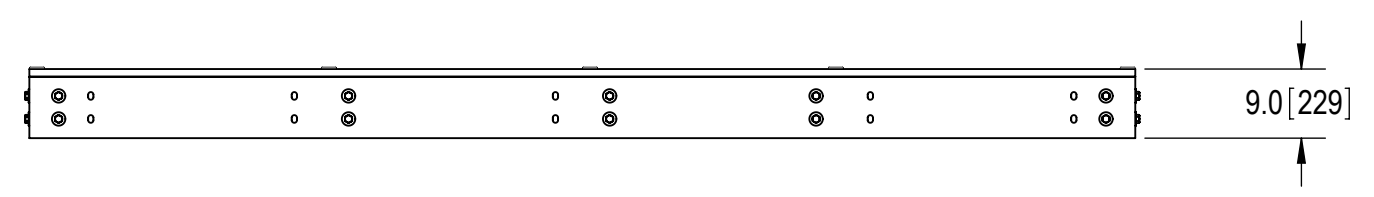


- 1.0 GENERAL NOTES
 - 1.1 ALL METRIC DIMENSIONS ARE IN BRACKETS [X.X]
 - 1.2 FOR PATENT INFO: <https://www.cs-pat.com>
- 2.0 DESIGN NOTES
- 3.0 MANUFACTURING/SPECIAL REQUIREMENTS
 - 3.1 TIGHTEN ALL BOLTS SECURING FLAT PLATES BY THE TURN-OF-NUT METHOD. TIGHTEN ALL U-BOLTS USING TURN-OF-NUT METHOD WITH ATTENTION TO LEAVE EQUAL DISTANCE AND EQUAL FORCE ON EACH LEG OF THE U-BOLT.
 - 3.2 BAR GRATING ALIGNED ACROSS CENTER CHANNELS.
- 4.0 TEST
- 5.0 PACKAGING
 - 5.1 PACKAGING SHALL MEET COMMSCOPE REQUIREMENTS PER DOCUMENT IS-PL-3005
 - 5.2 PRINTED DOCUMENT TO BE PLACED INSIDE POLYBAG AND THEN IN SHIPPING CONTAINER
 - 5.3 EXTRA HARDWARE MAY BE SUPPLIED, BAGGED AND SHIPPED

REVISIONS			
REV.	DESCRIPTION	DATE	APPROVED
A	INITIAL RELEASE	MSM 02/13/12	TP
B	UPDATED DRAWING TO NEW FORMAT; MTC390324 AND TS1220 WAS GCM03	RY1002 11MAR24	BCROSS 40190172CMO



DETAIL A
SCALE 1 : 6



HIDE BAR GRATING FOR CLARITY

COMPONENT PART NUMBERS PROVIDED FOR ASSEMBLY PURPOSES;
INDIVIDUAL COMPONENTS MAY BE SHIPPED AS PARTS WITHIN AN INCLUDED KIT.

ITEM	PART NO.	DESCRIPTION	QTY.	WEIGHT	NOTE NO.
1	MTC7902121503	12' CENTER CHANNEL	5	132.03 LBS	
2	MTC790271201	12' SIDE CHANNEL	2	136.26 LBS	
3	MTC790271203	24" X 144" BAR GRATING	6	172.46 LBS	
4	MTC790203	CHANNEL ADAPTER ANGLE	10	7.07 LBS	
5	GB-05205	5/8" X 2" GALV BOLT KIT	40	0.26 LBS	
6	GW-05	5/8" GALV FLAT WASHER, 1.70D	80	0.06 LBS	
7	MTC390324	BAR GRATING CLIP	42	0.17 LBS	
8	TS1220	12-24 X 2" SELF DRILLING SCREW	42	0.03 LBS	

COMMSCOPE, INC. OF NORTH CAROLINA			
TOLERANCES		SAP MATERIAL MASTER	
1 PLACE .X[X] ± 0.12[3.0]	3 PLACE .XXX[X] ± 0.03[0.8]	EQ-P1212-B	
2 PLACE .XX[X] ± 0.06[1.5]	ANGLES ± 2°	FINISH	
MATERIAL		TITLE	
12' X 12' EQUIPMENT PLATFORM BASE		SCALE	
EQ-P1212-B		DOCUMENT NO.	
EQ-P1212-B		DRAWING	
SIZE	Auth Group	INSL	MODEL
C			VERSION
			STATUS
			REVISION
			VERSION
			STATUS
			REVISION
			01
			RE
			B
			01
			RE
			B
			SHEET
			1 OF 1

DENSITY	2065.62	lbs/in ³
MASS	7330.29	lbs
VOLUME	74269.04	in ³
SURFACE AREA		in ²
HEIGHT	9.0"	
LENGTH	144.0"	
WIDTH	144.0"	