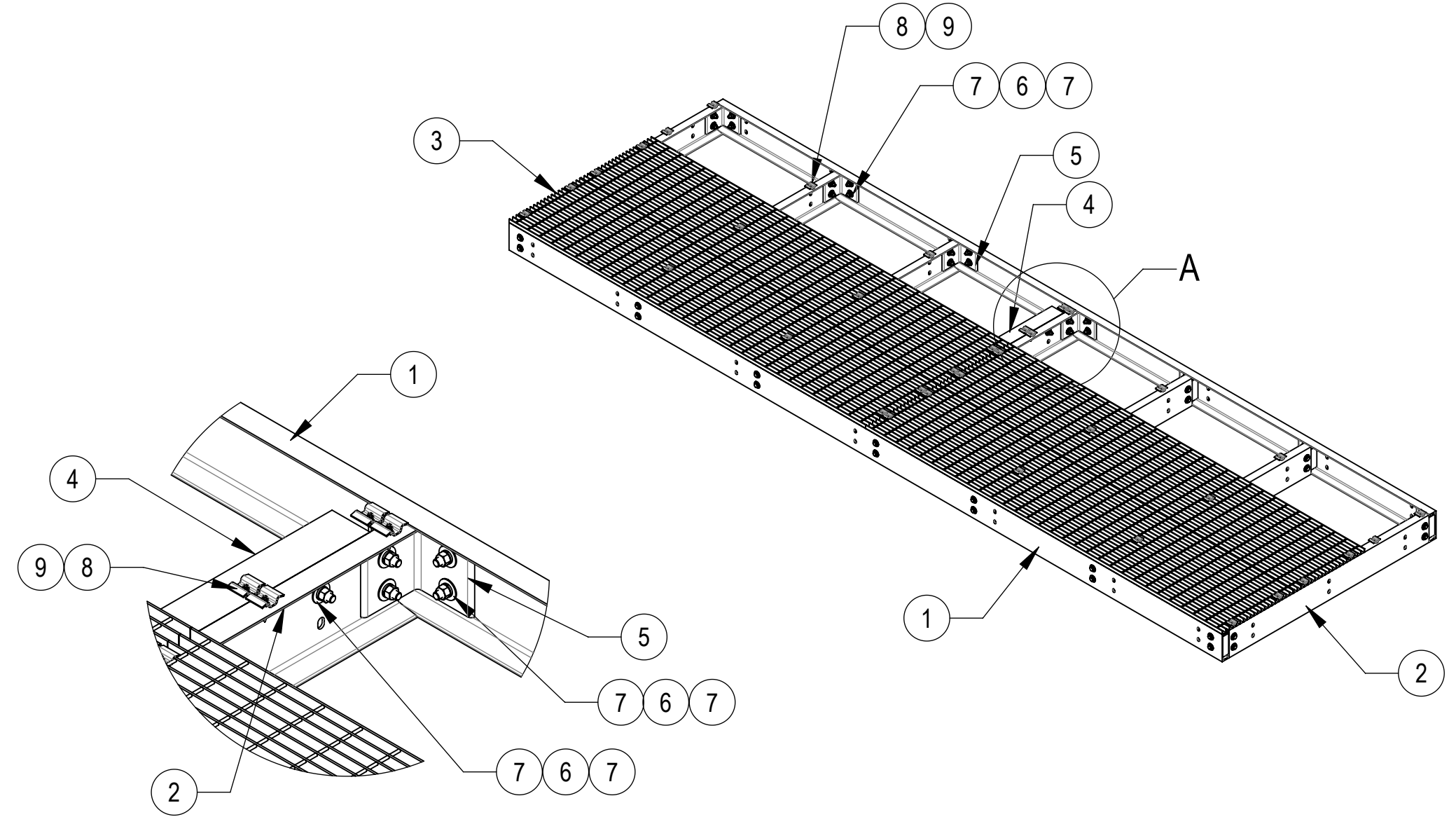
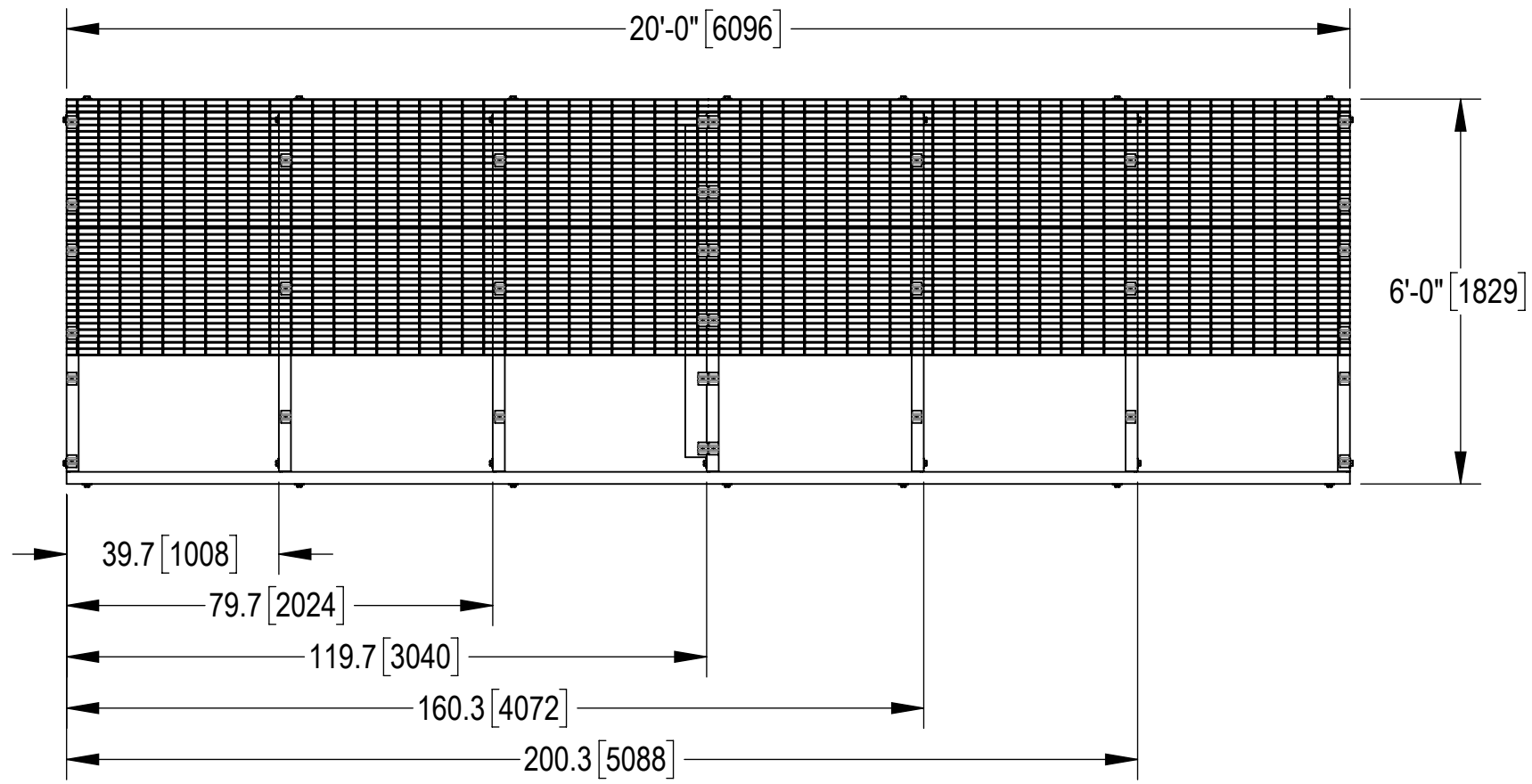
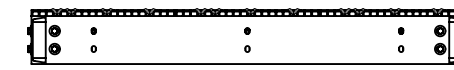
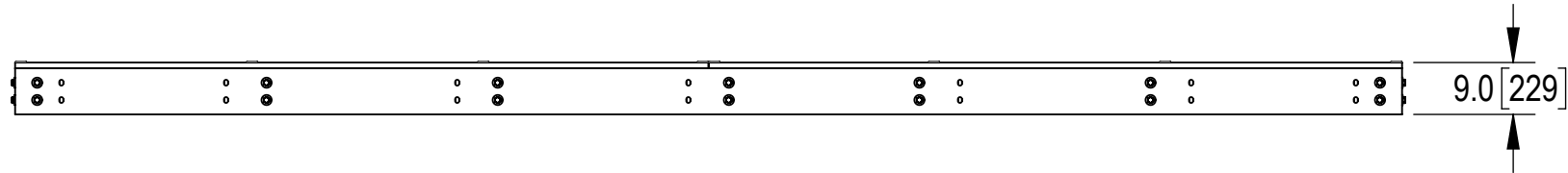


- 1.0 GENERAL NOTES
 - 1.1 ALL METRIC DIMENSIONS ARE IN BRACKETS [X.X]
 - 1.2 FOR PATENT INFO: <https://www.cs-pat.com>
- 2.0 DESIGN NOTES
- 3.0 MANUFACTURING/SPECIAL REQUIREMENTS
 - 3.1 TIGHTEN ALL BOLTS SECURING FLAT PLATES BY THE TURN-OF-NUT METHOD. TIGHTEN ALL U-BOLTS USING TURN-OF-NUT METHOD WITH ATTENTION TO LEAVE EQUAL DISTANCE AND EQUAL FORCE ON EACH LEG OF THE U-BOLT.
 - 3.2 BAR GRATING ALIGNED ACROSS CENTER CHANNELS.
- 4.0 TEST
- 5.0 PACKAGING
 - 5.1 PACKAGING SHALL MEET COMMSCOPE REQUIREMENTS PER DOCUMENT IS-PL-3005
 - 5.2 PRINTED DOCUMENT TO BE PLACED INSIDE POLYBAG AND THEN IN SHIPPING CONTAINER
 - 5.3 EXTRA HARDWARE MAY BE SUPPLIED, BAGGED AND SHIPPED

REVISIONS			
REV.	DESCRIPTION	DATE	APPROVED
A	INITIAL RELEASE	DRR 04APR12	TP
B	UPDATED DRAWING FORMAT; MTC390324 AND TS1220 WAS GCM03	LL1090 07MAR24	BCROSS 40190172CMO



DETAIL A
SCALE 1 : 10



HIDE BAR GRATING FOR CLARITY

COMPONENT PART NUMBERS PROVIDED FOR ASSEMBLY PURPOSES;
INDIVIDUAL COMPONENTS MAY BE SHIPPED AS PARTS WITHIN AN INCLUDED KIT.

ITEM NO.	PART NUMBER	DESCRIPTION	QTY.	WEIGHT	NOTE NO.
1	MTC7902102001	20' SIDE CHANNEL	2	227.29 LBS	
2	MTC8822061001	6' CENTER CHANNEL	7	63.61 LBS	
3	MTC917009	24" X 120" BAR GRATING	6	141.45 LBS	
4	EQP062001	GRATING SECTION BRACKET 6' WIDE PLATFORM	1	33.75 LBS	
5	MTC790203	CHANNEL ADAPTER ANGLE	14	7.07 LBS	
6	GB-05205	5/8" X 2" GALV BOLT KIT	59	0.26 LBS	
7	GWF-05	5/8" GALV FLAT WASHER, 1.70D	118	0.06 LBS	
8	MTC390324	BAR GRATING CLIP	36	0.17 LBS	
9	TS1220	12-24 X 2" SELF DRILLING SCREW	36	0.03 LBS	

DENSITY	1916.74	lbs/in ³
MASS	6801.95	lbs
VOLUME	66520.42	in ³
SURFACE AREA	66520.42	in ²
HEIGHT	9.0"	
LENGTH	240.0"	
WIDTH	72.0"	

COMMSCOPE, INC. OF NORTH CAROLINA											
TOLERANCES					SAP MATERIAL MASTER						
1 PLACE .X[X] ± 0.12[3.0]			3 PLACE .XXX[X] ± 0.031[0.8]		EQ-P0620-B						
2 PLACE .XX[X] ± 0.06[1.5]			ANGLES ± 2°								
FINISH					MATERIAL						
UNLESS OTHERWISE SPECIFIED DIMENSIONS ARE IN INCHES INTERPRET PER ANSI Y 14.5M-1994	CE	DRR	DATE	TITLE							
	RW	LL1090	03/18/2024	6' X 20' EQUIPMENT PLATFORM BASE							
	AD	YMENG	03/18/2024	SCALE	DOCUMENT NO.						
	RE	YMENG	04/02/2024	1:32	EQ-P0620-B						
ECN 40190172CMO				SIZE	Auth Group	INSL	MODEL			DRAWING	
C				00	RE	A	00	RE	B	SHEET 1 OF 1	