

4

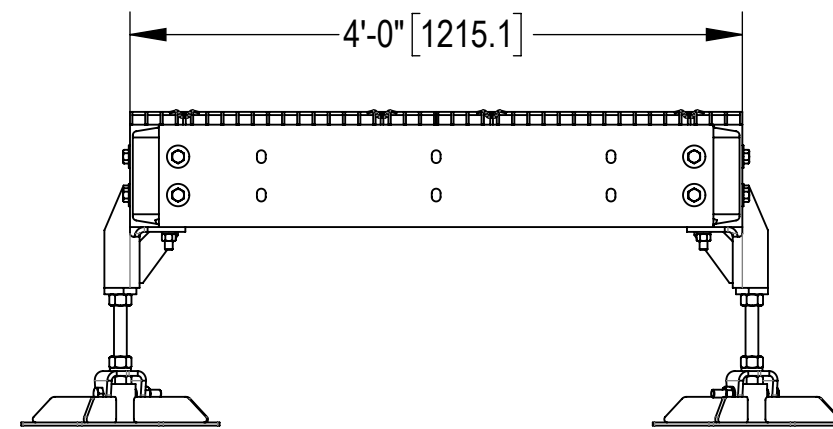
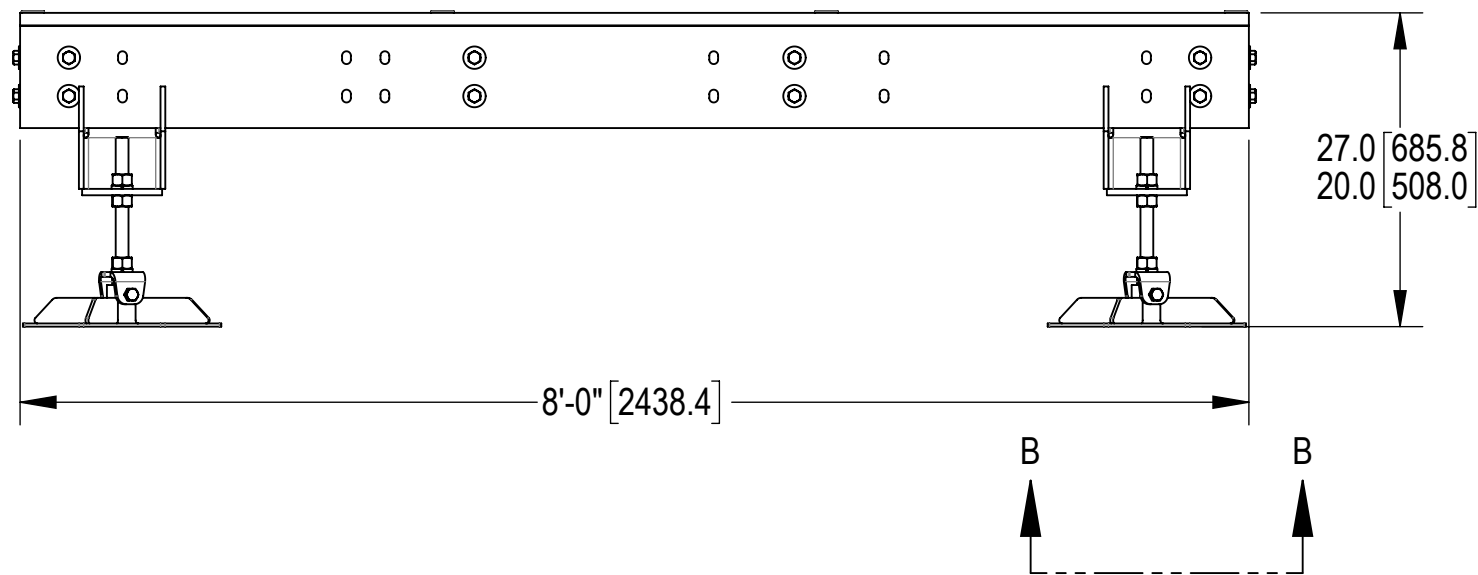
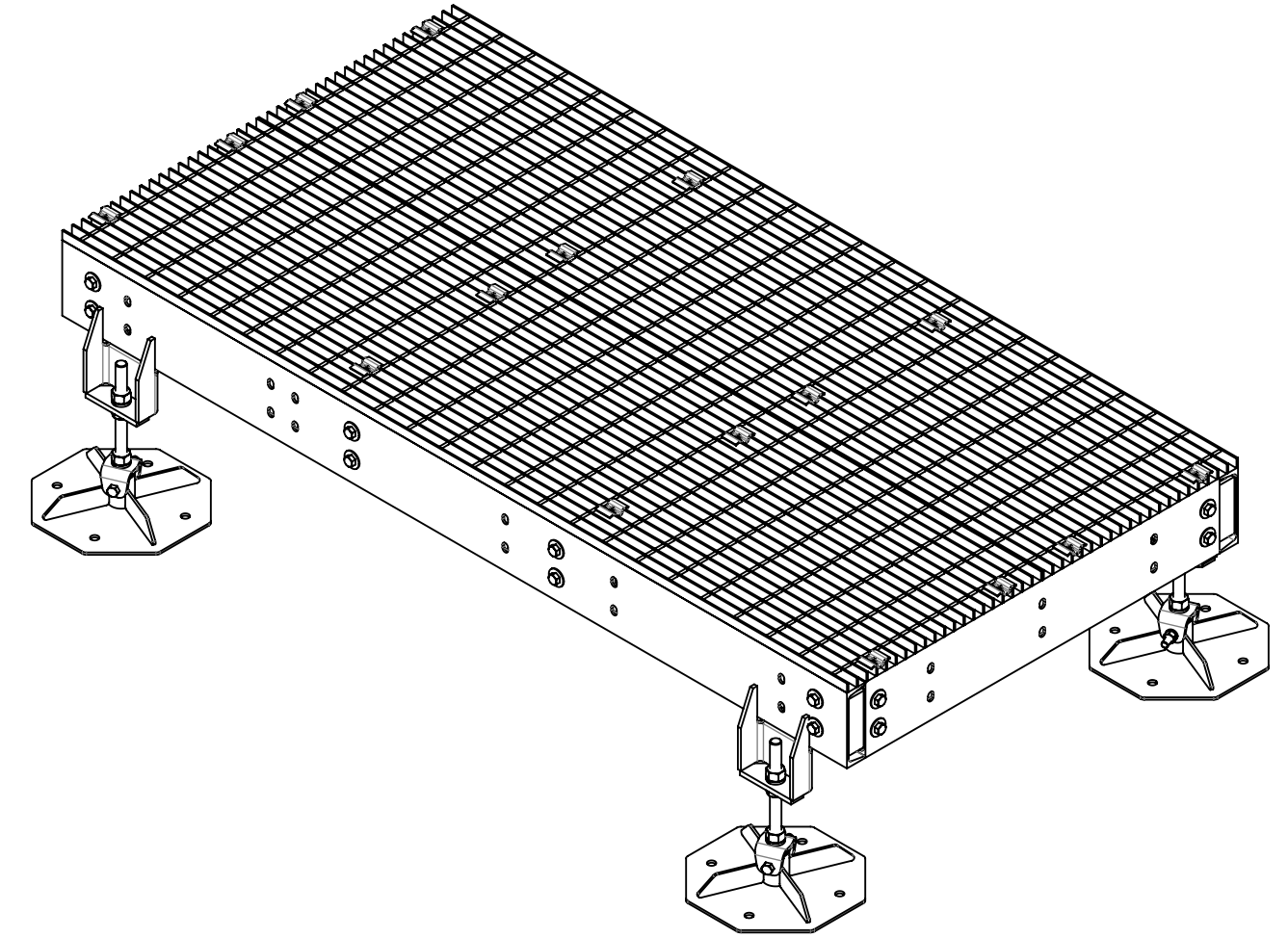
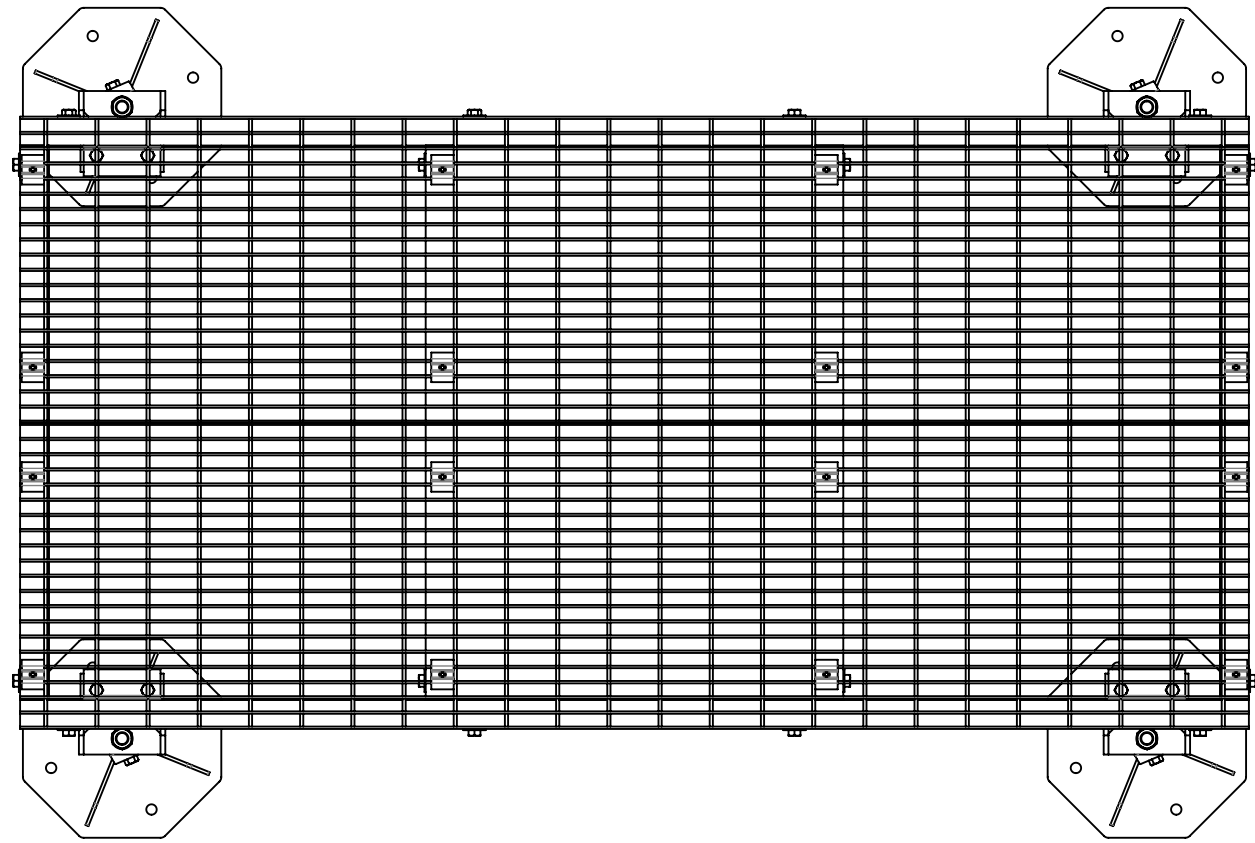
3

2

1

- 1.0 GENERAL NOTES
 - 1.1 ALL METRIC DIMENSIONS ARE IN BRACKETS [X.X]
 - 1.2 FOR PATENT INFO: <https://www.cs-pat.com>
- 2.0 DESIGN NOTES
- 3.0 MANUFACTURING/SPECIAL REQUIREMENTS
 - 3.1 TIGHTEN ALL BOLTS SECURING FLAT PLATES BY THE TURN-OF-NUT METHOD. TIGHTEN ALL U-BOLTS USING TURN-OF-NUT METHOD WITH ATTENTION TO LEAVE EQUAL DISTANCE AND EQUAL FORCE ON EACH LEG OF THE U-BOLT.
- 4.0 TEST
- 5.0 PACKAGING
 - 5.1 PACKAGING SHALL MEET COMMSCOPE REQUIREMENTS PER DOCUMENT IS-PL-3005
 - 5.2 PRINTED DOCUMENT TO BE PLACED INSIDE POLYBAG AND THEN IN SHIPPING CONTAINER
 - 5.3 EXTRA HARDWARE MAY BE SUPPLIED, BAGGED AND SHIPPED

REVISIONS			
REV.	DESCRIPTION	DATE	APPROVED
A	INITIAL RELEASE	YMENG 06FEB24	BCROSS 40188554CMO



COMMSCOPE, INC. OF NORTH CAROLINA											
TOLERANCES					SAP MATERIAL MASTER						
1 PLACE .X[X] ± 0.2[6.3]			3 PLACE .XXX[X] ± 0.060[1.5]		EQ-P0408-DF						
2 PLACE .XX[X] ± 0.12[3.0]			ANGLES ± 2°								
FINISH					MATERIAL						
UNLESS OTHERWISE SPECIFIED DIMENSIONS ARE IN INCHES INTERPRET PER ANSI Y 14.5M-1994	NAME		DATE		TITLE						
	CE YMENG		06FEB24		EQUIPMENT PLATFORM 4 X 8, 4 DF						
	RW YMENG		02/07/2024								
	AD LL1090		02/08/2024		SCALE 1:16		DOCUMENT NO. EQ-P0408-DF				
	RE YMENG		02/08/2024								
ECN 40188554CMO											
SIZE		Auth Group		INSL		MODEL			DRAWING		
C						VERSION		STATUS		REVISION	
						00		RE		A	
DENSITY		799.13		lbs/in³							
MASS		799.13		lbs							
VOLUME		2828.66		in³							
SURFACE AREA		25193.80		in²							
HEIGHT		96"									
LENGTH		96"									
WIDTH		48"									
										SHEET 1 OF 2	

4

3

2

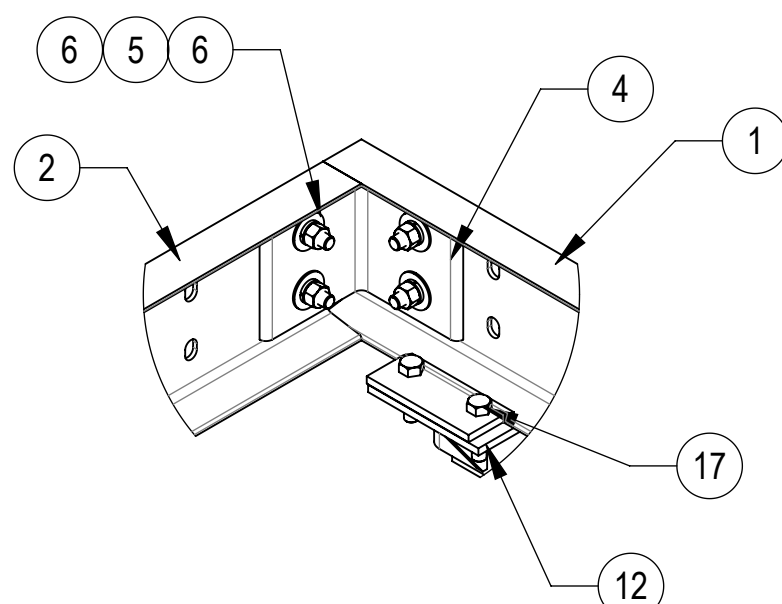
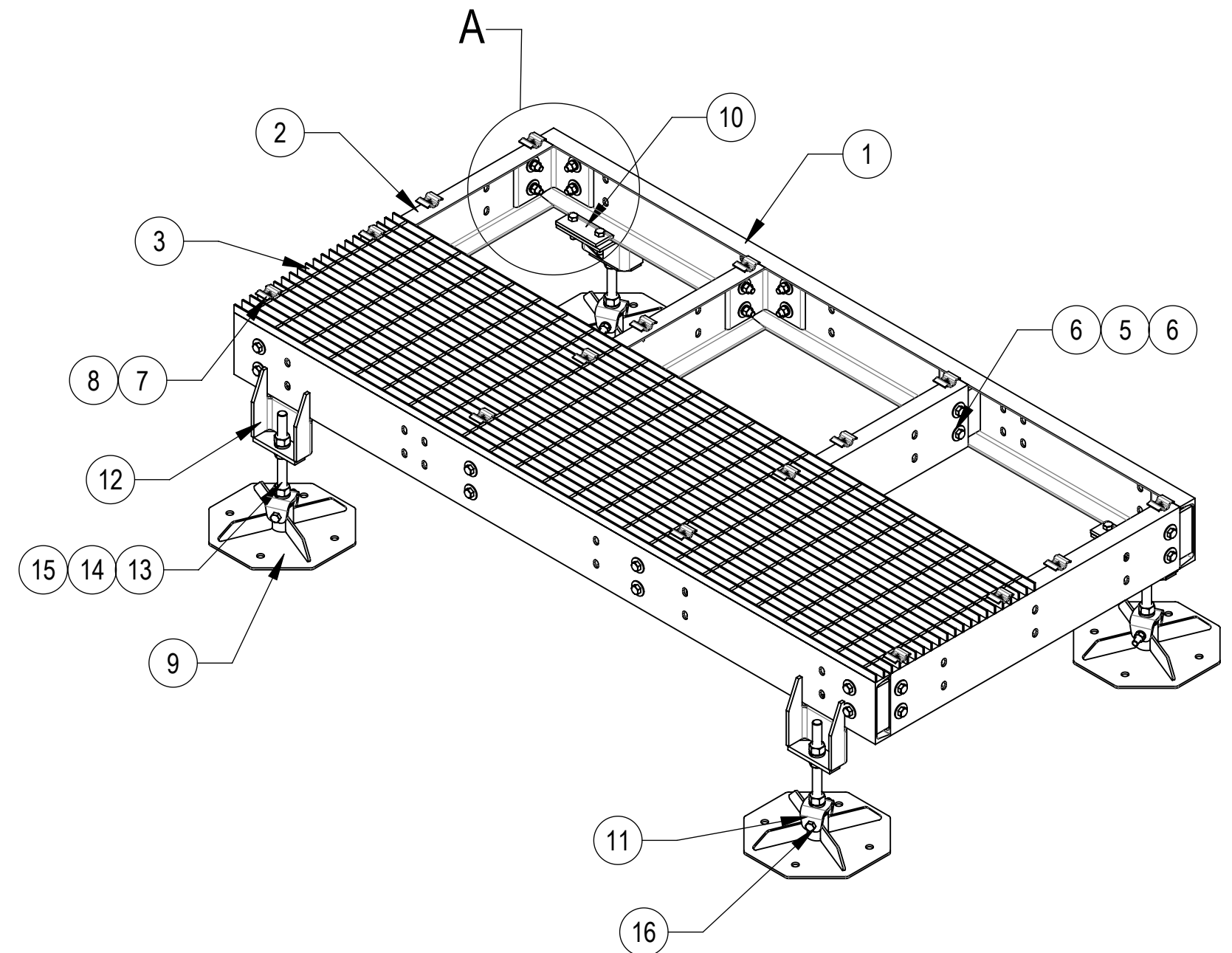
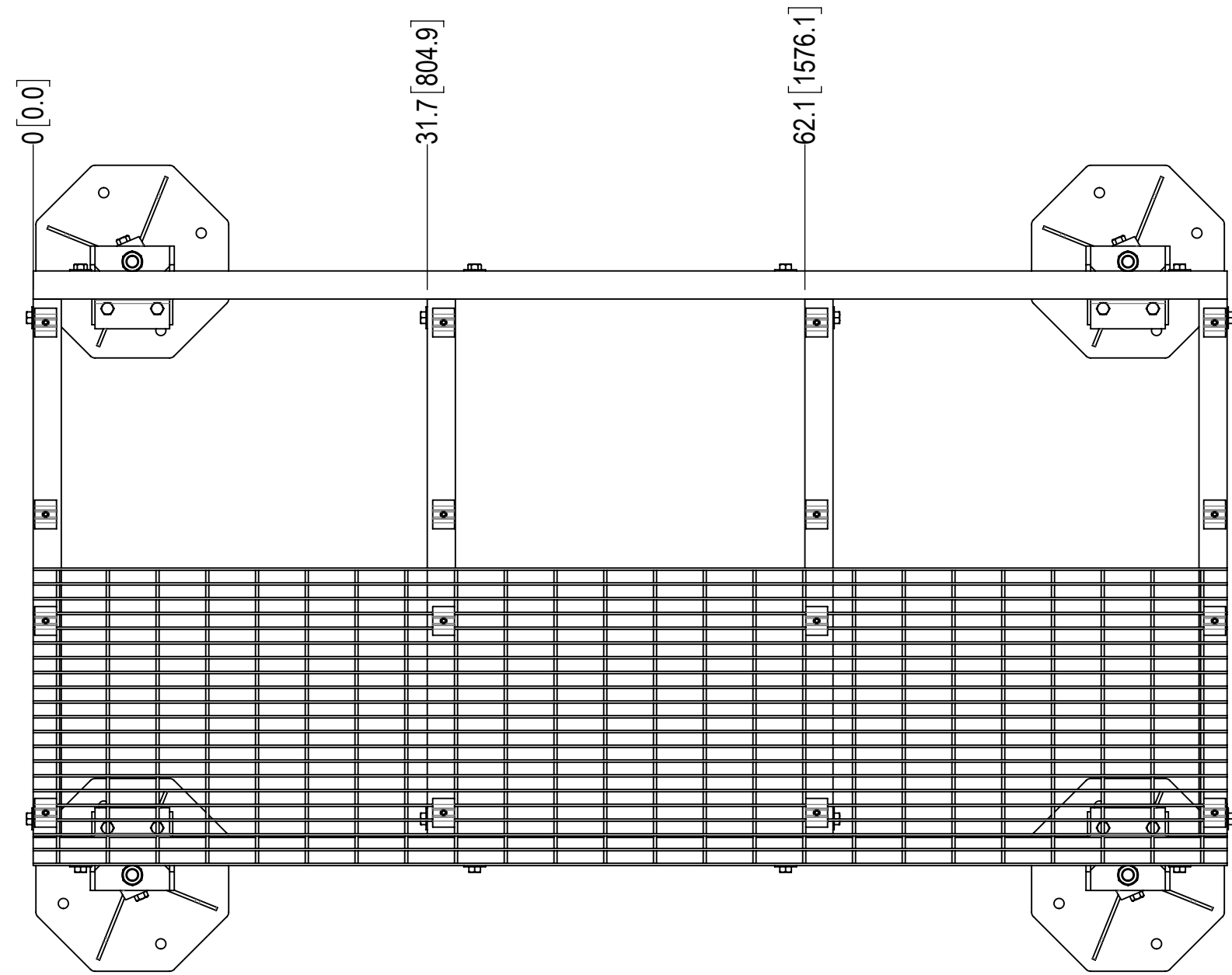
1

4

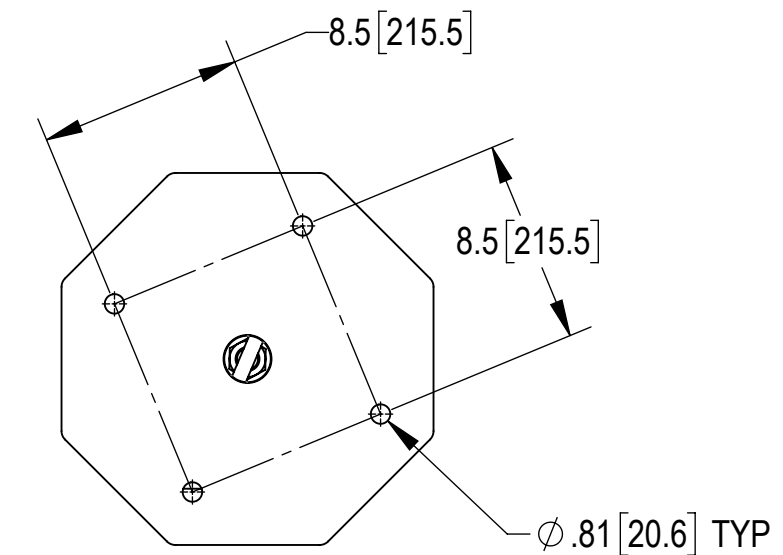
3

2

1



DETAIL A
SCALE 1 : 8



VIEW B-B
SCALE 1 : 8

COMPONENT PART NUMBERS PROVIDED FOR ASSEMBLY PURPOSES;
INDIVIDUAL COMPONENTS MAY BE SHIPPED AS PARTS WITHIN AN INCLUDED KIT

ITEM	PART NO.	DESCRIPTION	QTY.	WEIGHT	NOTE NO.
1	MTC7902080805	8' SIDE CHANNEL C8 X 11.5#	2	90.60 LBS	
2	MTC7902040702	4' CENTER CHANNEL	4	40.85 LBS	
3	MTC7902080803	24" X 96" BAR GRATING	2	114.17 LBS	
4	MTC790203	CHANNEL ADAPTER ANGLE	8	7.07 LBS	
5	GB-05205	5/8" X 2" GALV BOLT KIT	32	0.26 LBS	
6	GWF-05	5/8" GALV FLAT WASHER, 1.7OD	64	0.06 LBS	
7	MTC390324	BAR GRATING CLIP	16	0.17 LBS	
8	TS1220	12-24 X 2" SELF DRILLING SCREW	16	0.03 LBS	
9	MTC3738DF01	BASE FOOT	4	17.92 LBS	
10	MTC7902AL07	PINCH PLATE	4	1.60 LBS	
11	EQPDF30	CLIP, PIVOT	4	1.67 LBS	
12	EQPDF25	WELDMENT, ADJUSTABLE FOOT - DF STYLE	4	10.96 LBS	
13	EQPDF29	1-8 X 12" THREADED ROD - B7	4	2.65 LBS	
14	GN-08	1" GALV HEX NUT	16	0.33 LBS	
15	GWL-08	1" GALV LOCK WASHER	8	0.09 LBS	
16	GB-05505	5/8" X 5" GALV BOLT KIT	4	0.52 LBS	
17	GB-05245	5/8" X 2-1/2" GALV BOLT KIT	8	0.30 LBS	

HIDE BAR GRATING FOR CLARITY

COMMSCOPE, INC. OF NORTH CAROLINA				
TITLE EQUIPMENT PLATFORM 4 X 8, 4 DF				
SIZE C	SCALE 1:16	DOCUMENT NO. EQ-P0408-DF		
DRAWING		VERSION	STATUS	REVISION
		00	RE	A
				SHEET 2 OF 2

© 2024 CommScope, Inc. Confidential

4

3

2

1