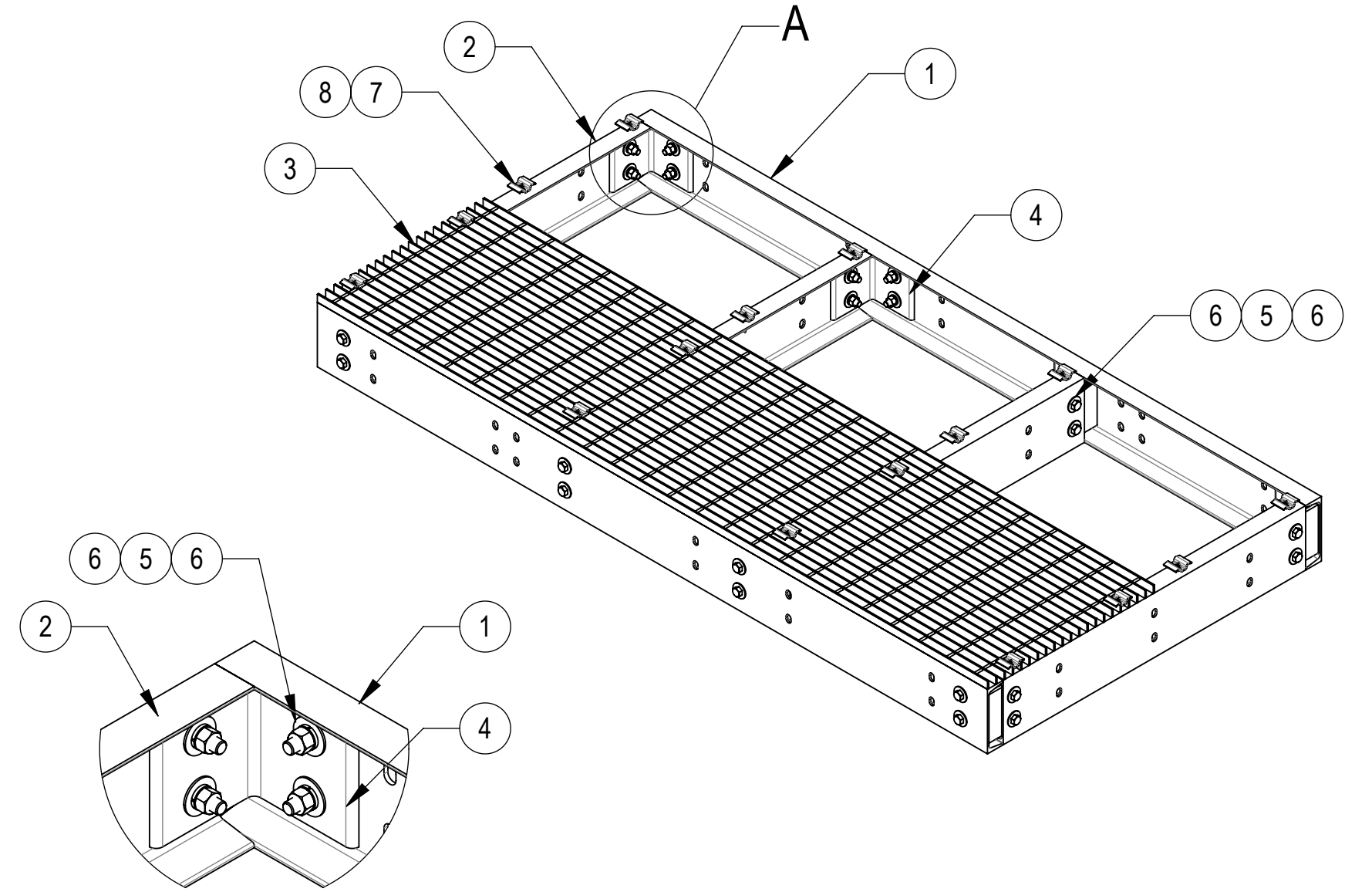
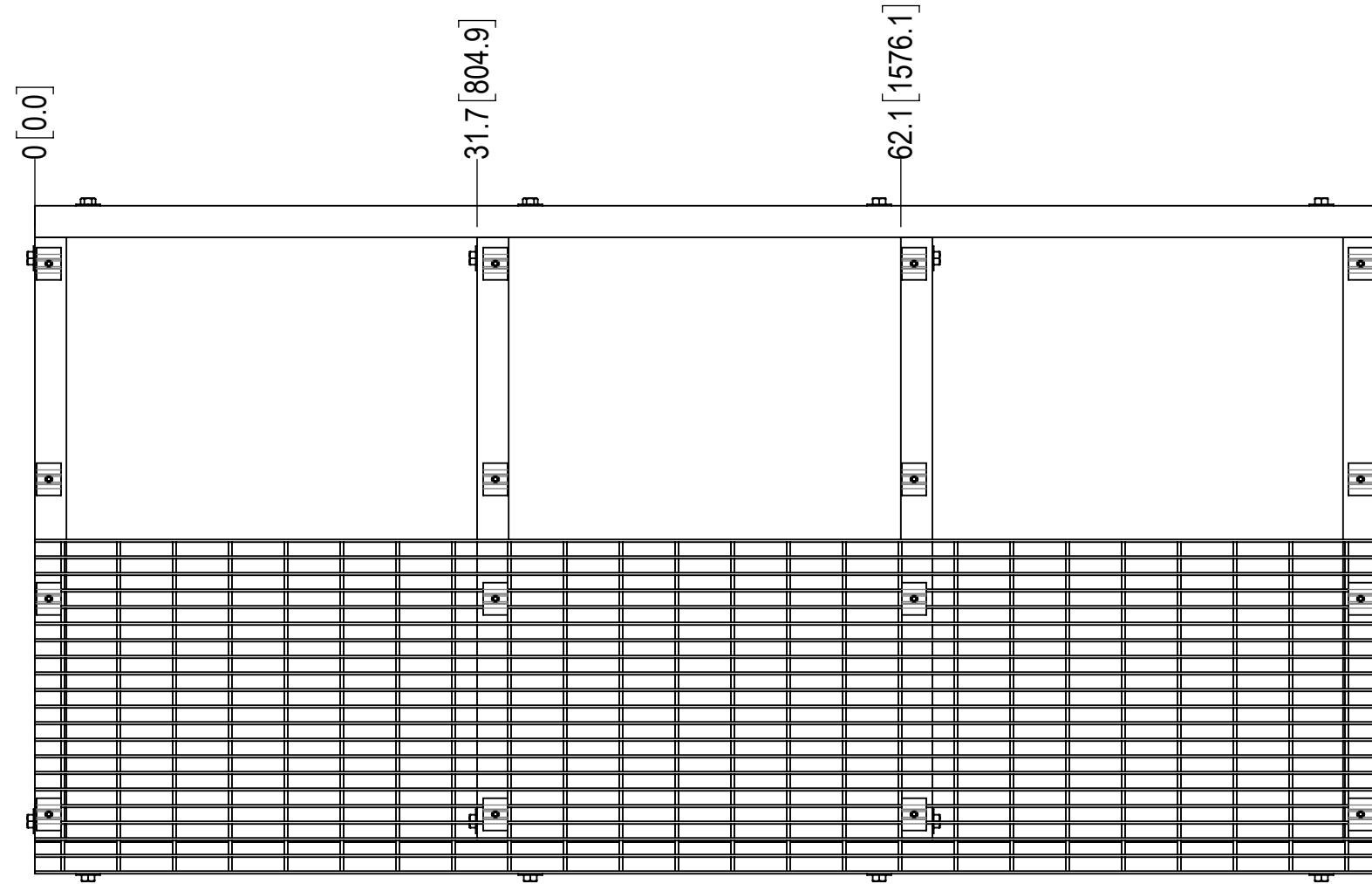
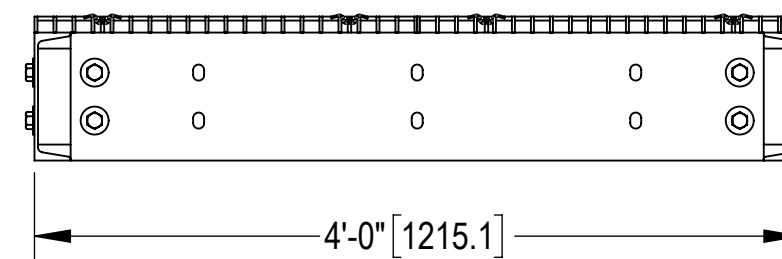
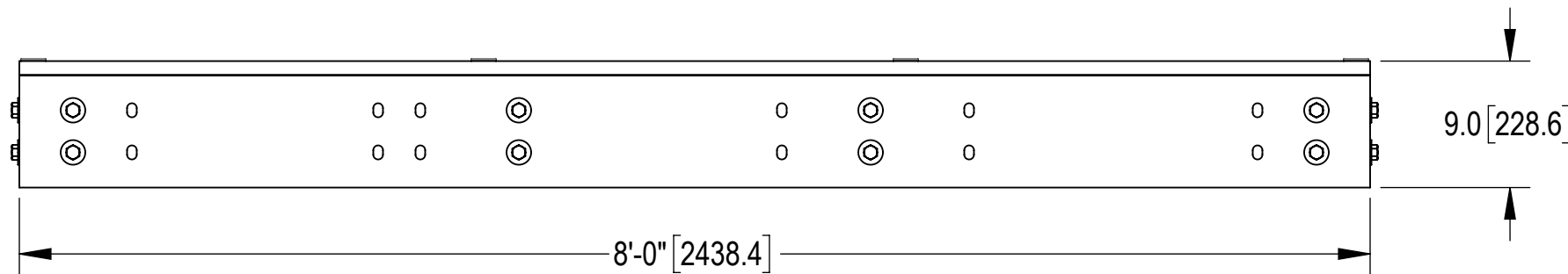


- 1.0 GENERAL NOTES  
 1.1 ALL METRIC DIMENSIONS ARE IN BRACKETS [X.X]  
 1.2 FOR PATENT INFO: <https://www.cs-pat.com>  
 2.0 DESIGN NOTES  
 3.0 MANUFACTURING/SPECIAL REQUIREMENTS  
 3.1 TIGHTEN ALL BOLTS SECURING FLAT PLATES BY THE TURN-OF-NUT METHOD. TIGHTEN ALL U-BOLTS USING TURN-OF-NUT METHOD WITH ATTENTION TO LEAVE EQUAL DISTANCE AND EQUAL FORCE ON EACH LEG OF THE U-BOLT.  
 4.0 TEST  
 5.0 PACKAGING  
 5.1 PACKAGING SHALL MEET COMMSCOPE REQUIREMENTS PER DOCUMENT IS-PL-3005  
 5.2 PRINTED DOCUMENT TO BE PLACED INSIDE POLYBAG AND THEN IN SHIPPING CONTAINER  
 5.3 EXTRA HARDWARE MAY BE SUPPLIED, BAGGED AND SHIPPED

REVISIONS			
REV.	DESCRIPTION	DATE	APPROVED
A	INITIAL RELEASE	MSM 05AUG10	
B	REDRAWN IN SOLIDWORKS; MTC390324 AND TS1220 WAS GCM03	YMENG 06FEB24	BCROSS 40188554CMO



DETAIL A  
SCALE 1 : 6



HIDE BAR GRATING FOR CLARITY

COMPONENT PART NUMBERS PROVIDED FOR ASSEMBLY PURPOSES;  
INDIVIDUAL COMPONENTS MAY BE SHIPPED AS PARTS WITHIN AN INCLUDED KIT

ITEM	PART NO.	DESCRIPTION	QTY.	WEIGHT	NOTE NO.
1	MTC7902080805	8' SIDE CHANNEL C8 X 11.5#	2	90.60 LBS	
2	MTC7902040702	4' CENTER CHANNEL	4	40.85 LBS	
3	MTC7902080803	24" X 96" BAR GRATING	2	114.17 LBS	
4	MTC790203	CHANNEL ADAPTER ANGLE	8	7.07 LBS	
5	GB-05205	5/8" X 2" GALV BOLT KIT	32	0.26 LBS	
6	GWF-05	5/8" GALV FLAT WASHER, 1.7OD	64	0.06 LBS	
7	MTC390324	BAR GRATING CLIP	16	0.17 LBS	
8	TS1220	12-24 X 2" SELF DRILLING SCREW	16	0.03 LBS	

DENSITY		lbs/in <sup>3</sup>
MASS	648.03	lbs
VOLUME	2292.47	in <sup>3</sup>
SURFACE AREA	21213.42	in <sup>2</sup>
HEIGHT	9"	
LENGTH	96"	
WIDTH	48"	

COMMSCOPE, INC. OF NORTH CAROLINA										
TOLERANCES					SAP MATERIAL MASTER					
1 PLACE .X[X] ± 0.12[3.0]			3 PLACE .XXX[X] ± 0.030[0.8]		EQ-P0408-B					
2 PLACE .XX[X] ± 0.06[1.5]			ANGLES ± 2°							
FINISH					MATERIAL					
UNLESS OTHERWISE SPECIFIED DIMENSIONS ARE IN INCHES INTERPRET PER ANSI Y 14.5M-1994	CE	MSM	05AUG10	EQUIPMENT PLATFORM BASE KIT, 4' X 8'						
	RW	YMENG	02/07/2024							
	AD	LL1090	02/08/2024							
	RE	YMENG	02/08/2024							
	ECN	40188554CMO			SCALE		DOCUMENT NO.			
SIZE		Auth Group	INSL	MODEL			DRAWING			SHEET
C				VERSION	STATUS	REVISION	VERSION	STATUS	REVISION	1 OF 1
				00	RE	B	00	RE	B	