

4

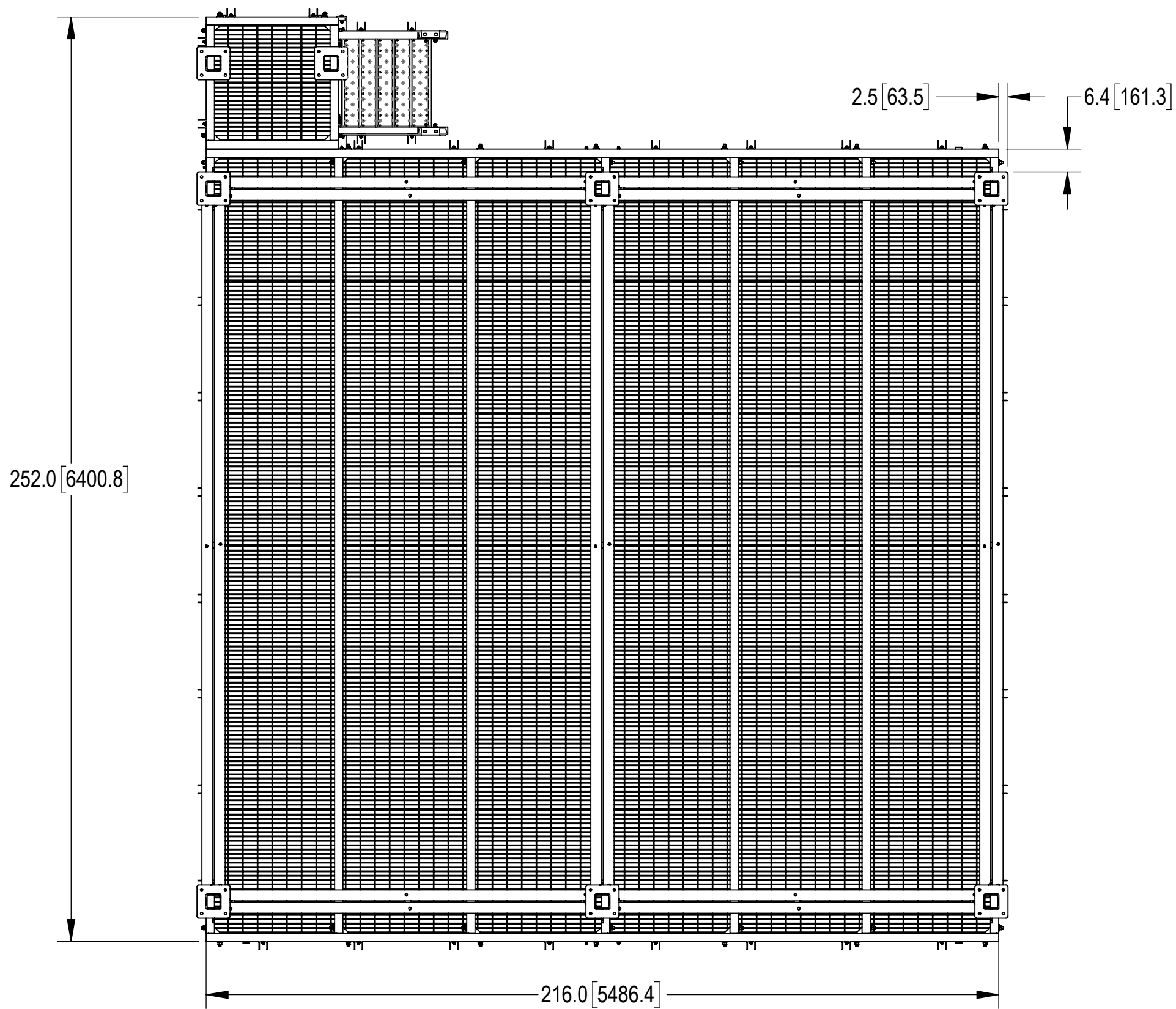
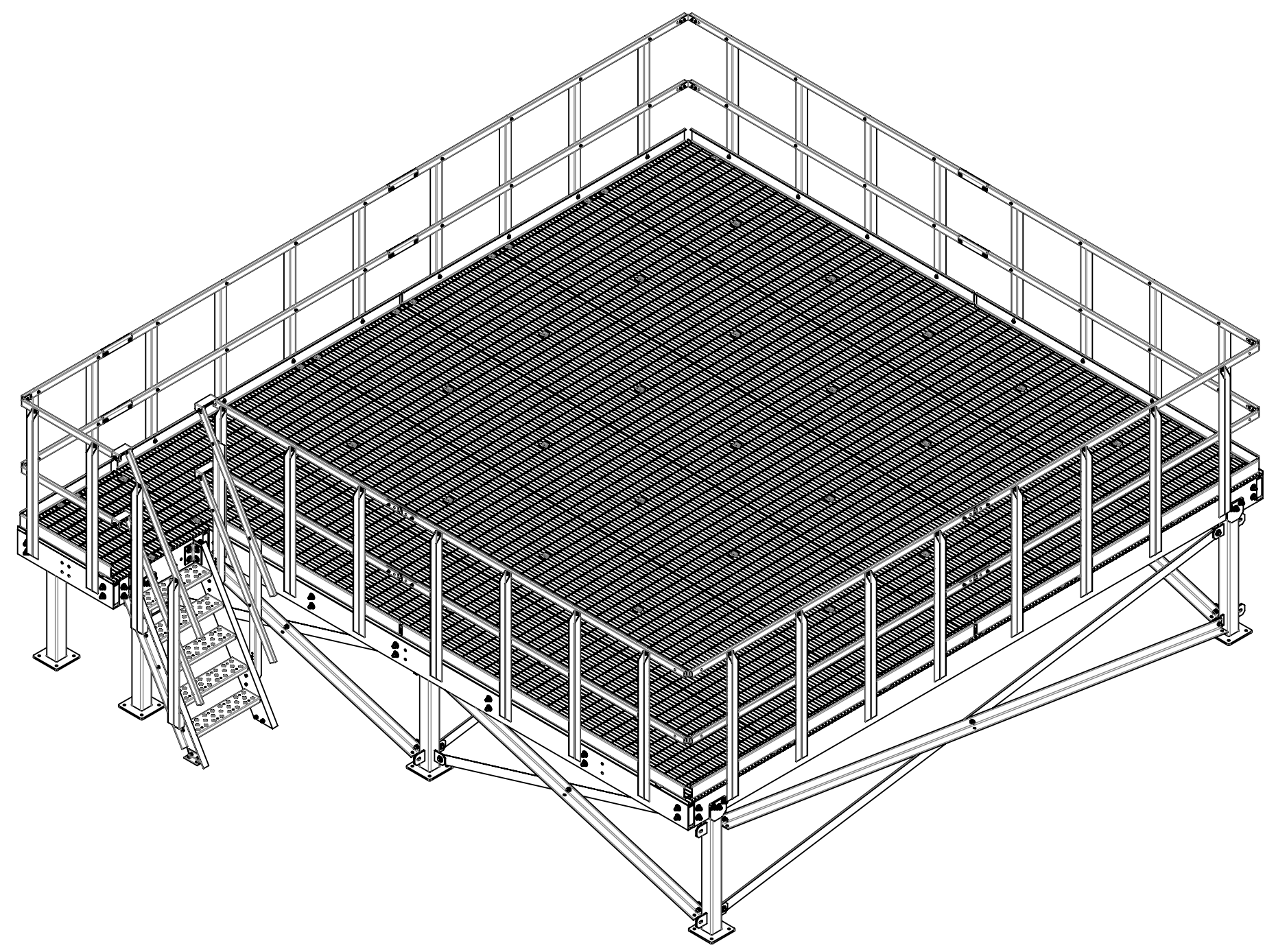
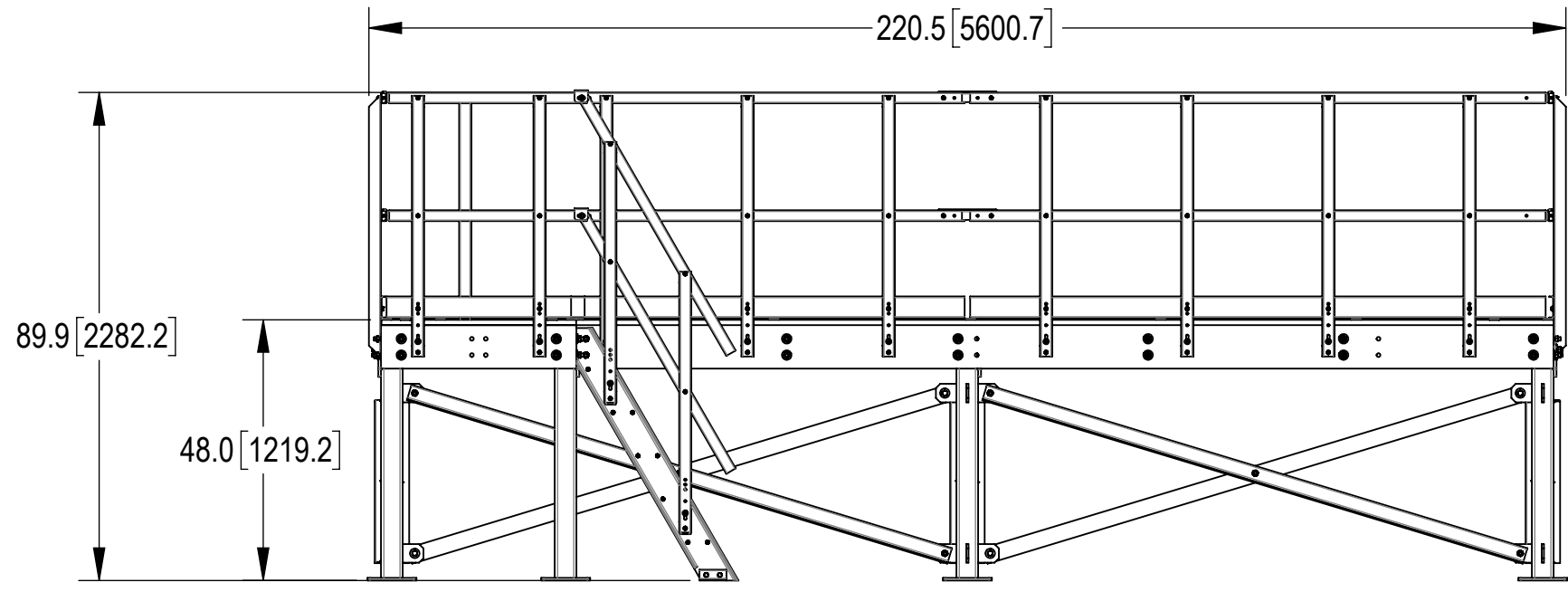
3

2

1

- 1.0 GENERAL NOTES
 - 1.1 ALL METRIC DIMENSIONS ARE IN BRACKETS [X. X]
 - 1.2 FOR PATENT INFO: <https://www.cs-pat.com>
- 2.0 DESIGN NOTES
 - 2.1 ANY HAZARDS OR OBSTRUCTIONS TO THE CLIMBING FACILITY AND SAFETY CLIMB MUST BE IDENTIFIED PRIOR TO INSTALLING THE APPURTENANCE. ADDITIONAL PRODUCTS MAY BE REQUIRED TO MAINTAIN THE INTEGRITY OF THE SAFETY CLIMB. DURING INSTALLATION, TEMPORARY AND/OR PERMANENT PRECAUTIONARY MEASURES SHOULD BE TAKEN TO PRESERVE THE CLIMBING FACILITY AND/OR SAFETY CLIMB.
- 3.0 MANUFACTURING/SPECIAL REQUIREMENTS
 - 3.1 TIGHTEN ALL BOLTS SECURING FLAT PLATES BY THE TURN-OF-NUT METHOD. TIGHTEN ALL U-BOLTS USING TURN-OF-NUT METHOD WITH ATTENTION TO LEAVE EQUAL DISTANCE AND EQUAL FORCE ON EACH LEG OF THE U-BOLT.
- 4.0 TEST
- 5.0 PACKAGING
 - 5.1 PACKAGING SHALL MEET COMMSCOPE REQUIREMENTS PER DOCUMENT IS-PL-3005.
 - 5.2 PRINTED DOCUMENT TO BE PLACED INSIDE POLYBAG AND THEN IN SHIPPING CONTAINER.
 - 5.3 EXTRA HARDWARE MAY BE SUPPLIED, BAGGED AND SHIPPED.

REVISIONS			
REV.	DESCRIPTION	DATE	APPROVED
A	INITIAL RELEASE	JL1183 18MAR24	YW1045 40191524CMO



DENSITY	6787.50	lbs/in ³
MASS	6787.50	lbs
VOLUME	23961.70	in ³
SURFACE AREA	255406.71	in ²
HEIGHT	256.5"	
LENGTH	221.0"	
WIDTH	89.9"	

COMMSCOPE, INC. OF NORTH CAROLINA

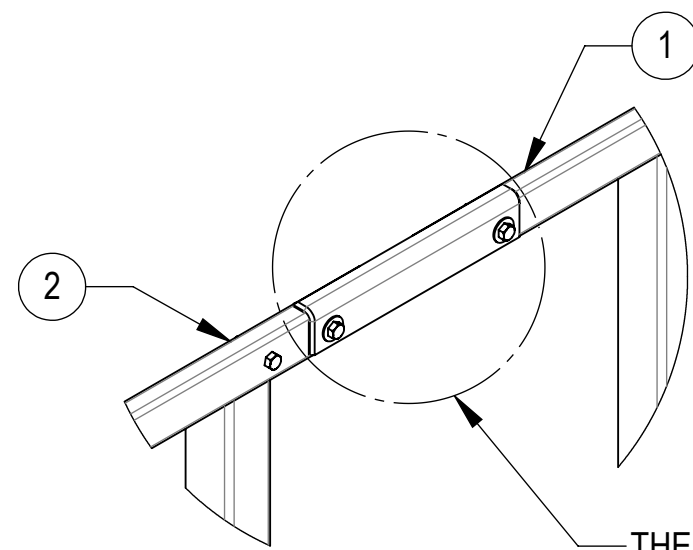
TOLERANCES		SAP MATERIAL MASTER	
1 PLACE .X[X] ± 0.2[6.3]	3 PLACE .XXX[X] ± 0.060[1.5]	EQ-P1818-EP-LP-004	
2 PLACE .XX[X] ± 0.12[3.0]	ANGLES ± 2°		
FINISH		MATERIAL	
UNLESS OTHERWISE SPECIFIED DIMENSIONS ARE IN INCHES INTERPRET PER ANSI Y 14.5M-1994		TITLE	
CE	JL1183	DATE	18MAR24
RW		18X18 PLATFORM, W/HR/LD/RISER, 4'	
AD			
RE		SCALE	DOCUMENT NO.
ECN	40191524CMO	1:32	EQ-P1818-EP-LP-004
SIZE	Auth Group INSL	MODEL	
C		VERSION	STATUS
		00	
		DRAWING	
VERSION	STATUS	REVISION	REVISION
00		00	IW
		REVISION	REVISION
			A
			SHEET
			1 OF 2

4

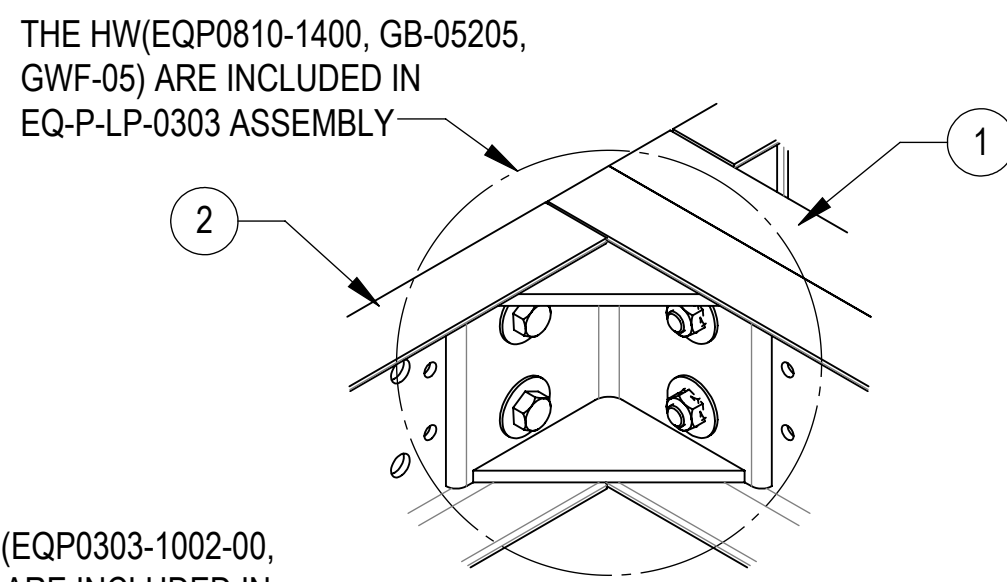
3

2

1



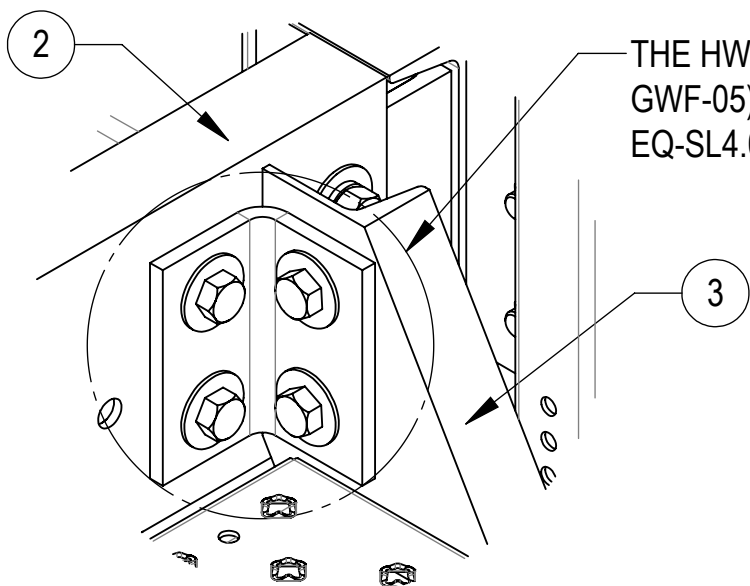
DETAIL A
SCALE 1 : 7
2 PLACES



DETAIL F
SCALE 1 : 5
2 PLACES

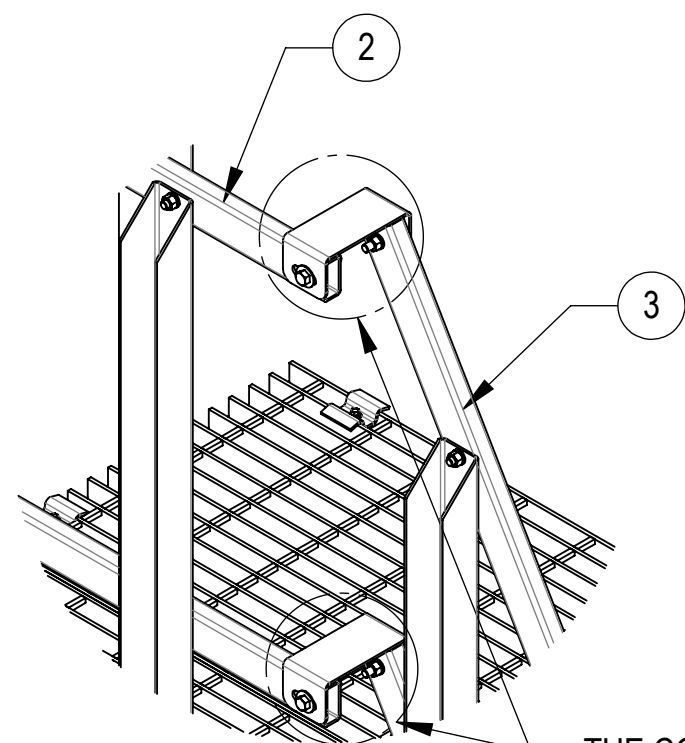
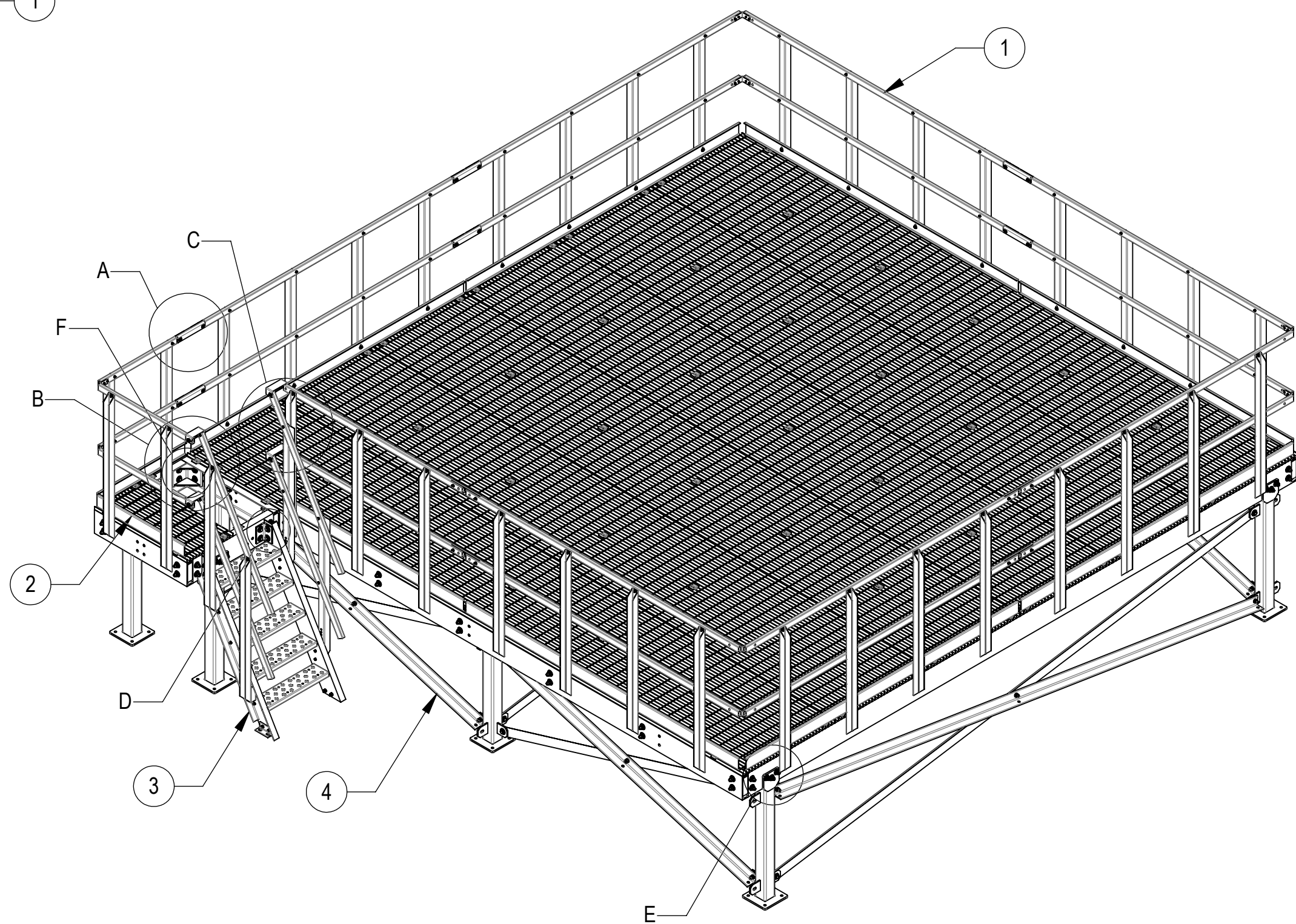
THE HW(EQP0810-1400, GB-05205, GWF-05) ARE INCLUDED IN EQ-P-LP-0303 ASSEMBLY

THE CONNECTORS(EQP0303-1002-00, GB-03205, GWF-03) ARE INCLUDED IN EQ-P-LP-0303 ASSEMBLY



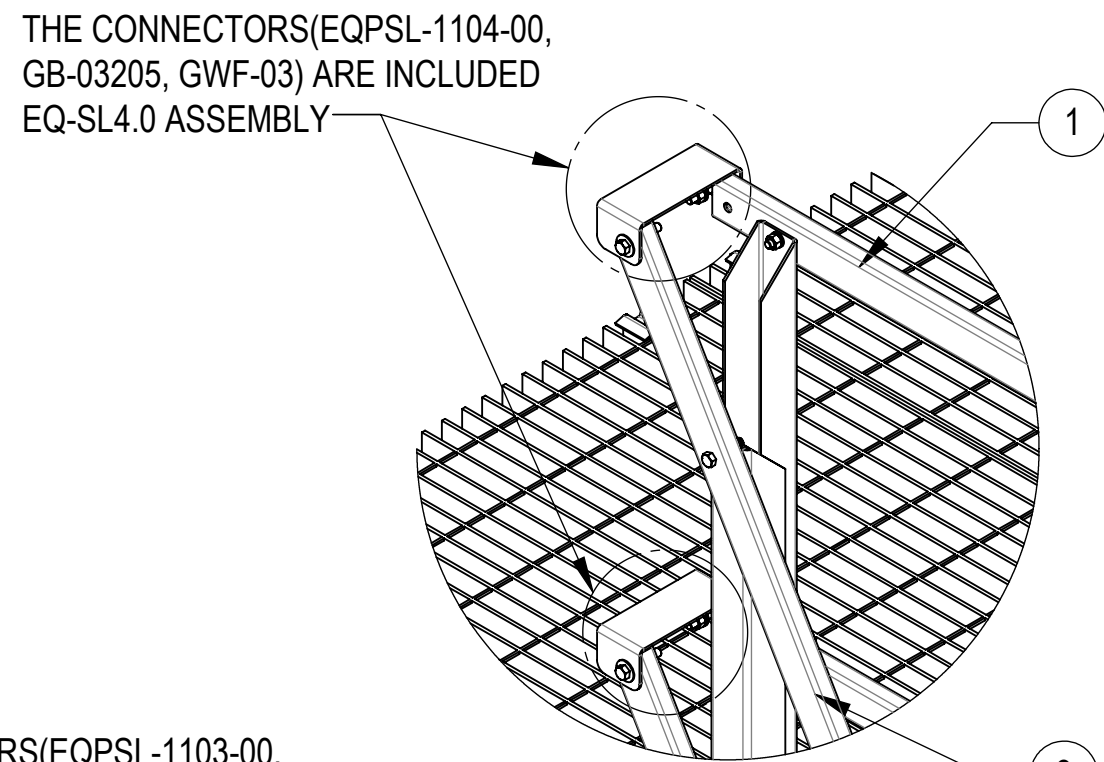
DETAIL D
SCALE 1 : 4
2 PLACES

THE HW(MTC957714, GB-05205, GWF-05) ARE INCLUDED IN EQ-SL4.0 ASSEMBLY



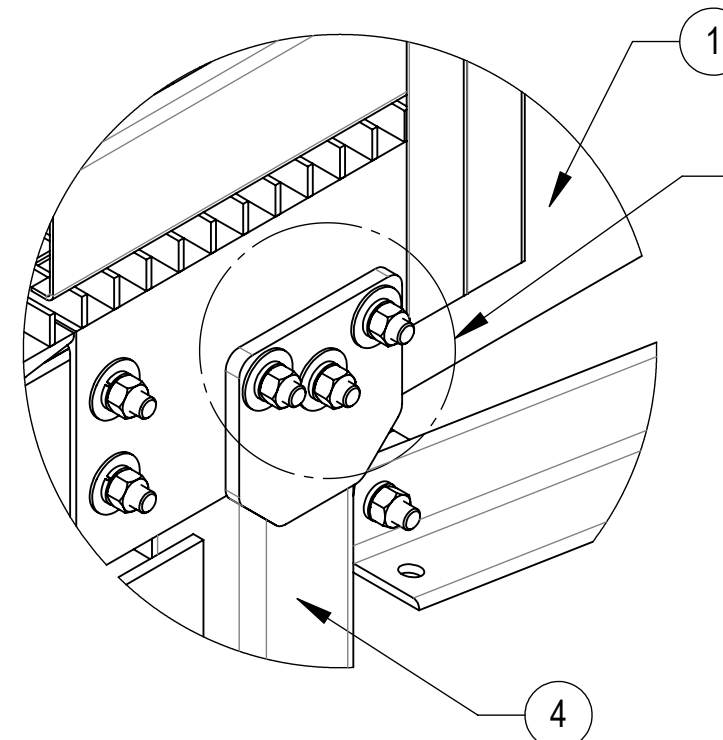
DETAIL B
SCALE 1 : 8

THE CONNECTORS(EQPSL-1103-00, GB-03205, GWF-03) ARE INCLUDED EQ-SL4.0 ASSEMBLY



DETAIL C
SCALE 1 : 8

THE CONNECTORS(EQPSL-1104-00, GB-03205, GWF-03) ARE INCLUDED EQ-SL4.0 ASSEMBLY



DETAIL E
SCALE 1 : 5

THE HW(GB-05205, GWF-05) ARE INCLUDED EQ-P1818-EP-R4 IN ASSEMBLY

(HIDDEN SOME PARTS FOR CLARITY)

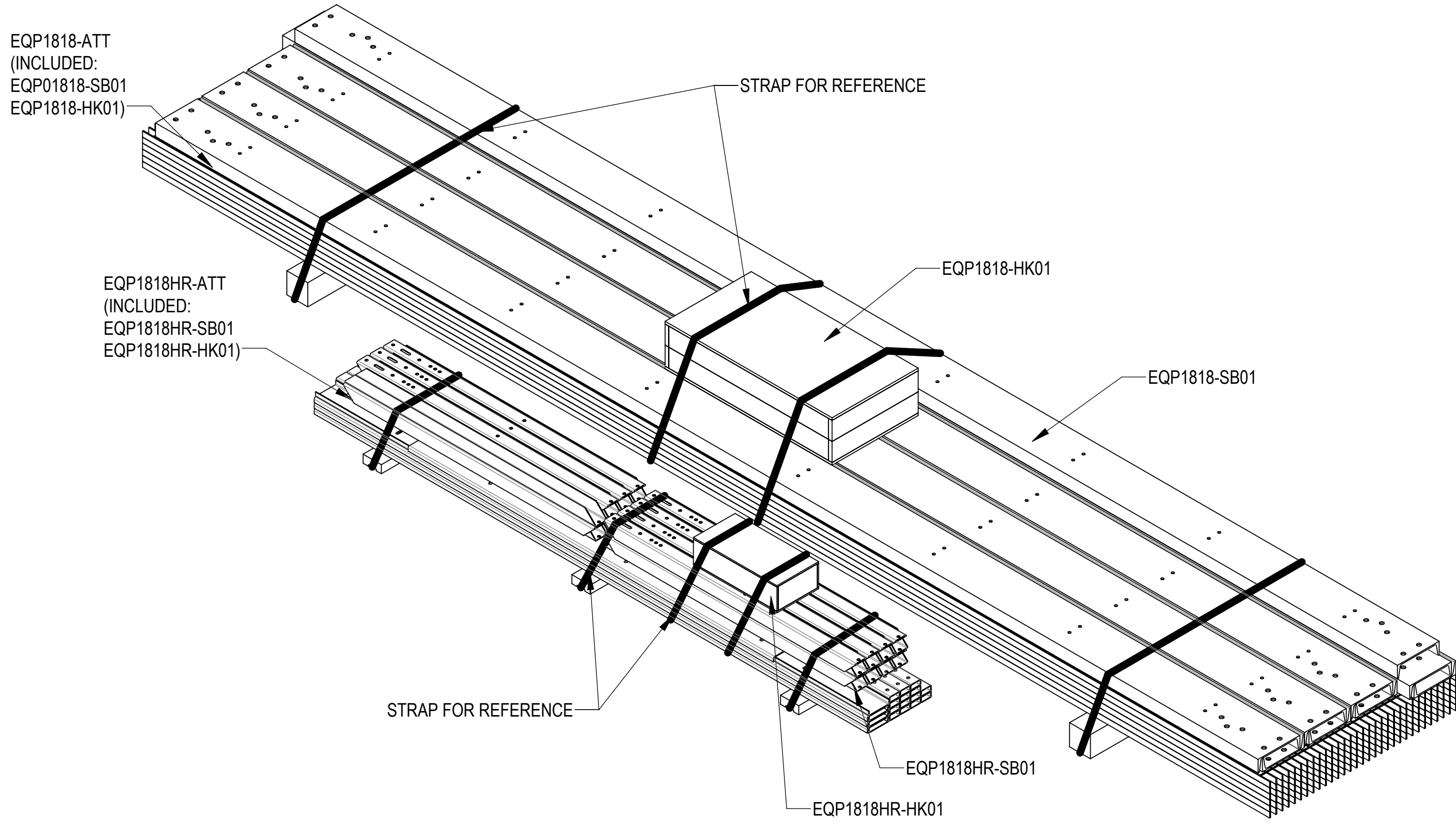
COMPONENT PART NUMBERS PROVIDED FOR ASSEMBLY PURPOSES;
INDIVIDUAL COMPONENTS MAY BE SHIPPED AS PARTS WITHIN AN INCLUDED KIT.

ITEM	PART NO.	DESCRIPTION	QTY.	WEIGHT	NOTE NO.
1	EQ-P1818-EP-B	PLATFORM, 18X18, BASE-KIT	1	4945.98 LBS	
2	EQ-P-LP-0303	LANDING-PLATFORM, 3'X3'	1	325.92 LBS	
3	EQ-SL4.0	SHIP LADDER, 4' ELEVATED PLAT/HR	1	214.62 LBS	
4	EQ-P1818-EP-R4	RISER FOR EQ-P1818-EP-LP, 4'	1	1300.98 LBS	

COMMSCOPE, INC. OF NORTH CAROLINA					
TITLE 18X18 PLATFORM, W/HR/LD/RISER, 4'					
SIZE C	SCALE 1:32	DOCUMENT NO. EQ-P1818-EP-LP-004			
		DRAWING			SHEET
		VERSION 00	STATUS IW	REVISION A	2 OF 2

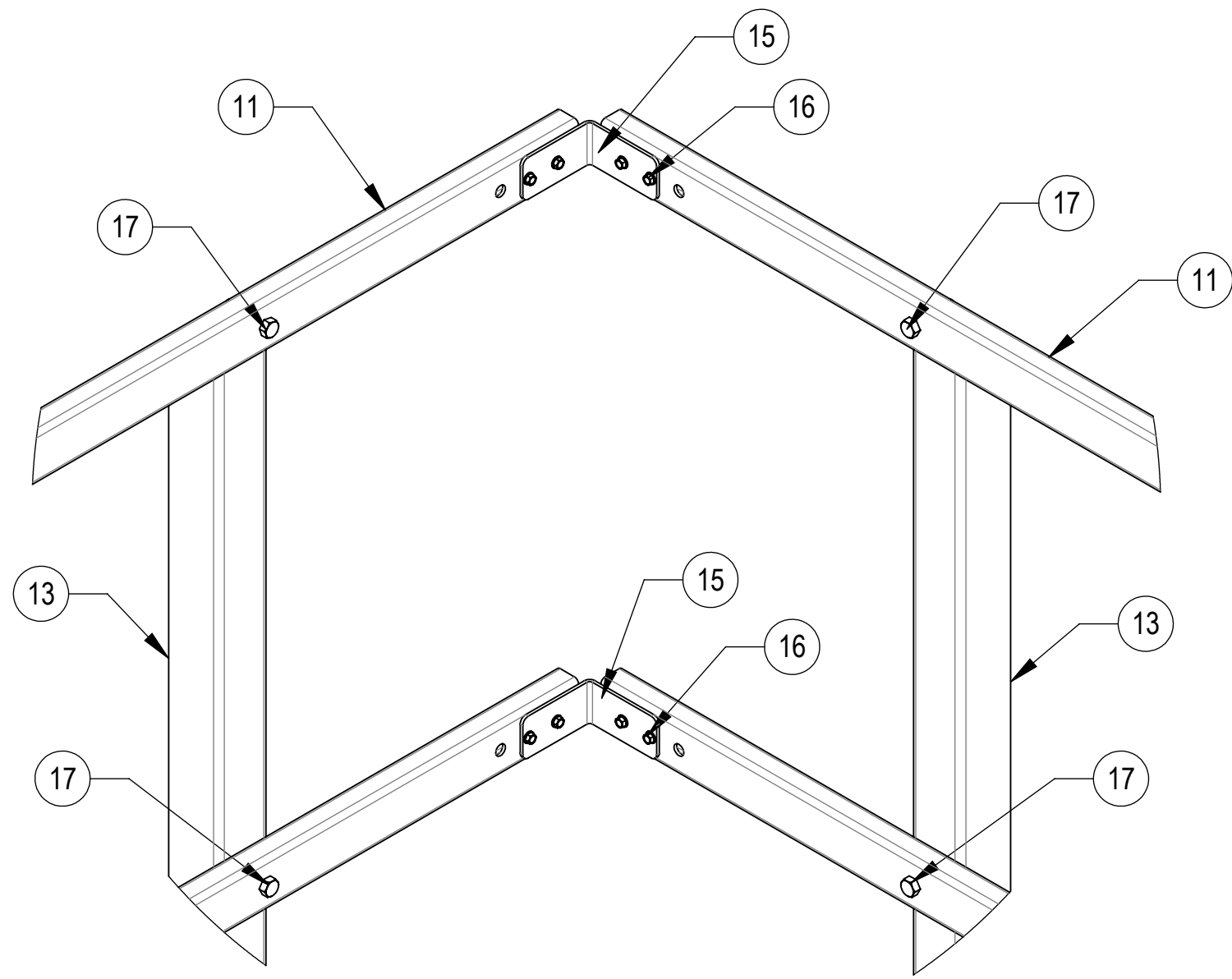
- 1.0 GENERAL NOTES
 - 1.1 ALL METRIC DIMENSIONS ARE IN BRACKETS [X. X]
 - 1.2 FOR PATENT INFO: <https://www.cs-pat.com>
- 2.0 DESIGN NOTES
 - 2.1 ANY HAZARDS OR OBSTRUCTIONS TO THE CLIMBING FACILITY AND SAFETY CLIMB MUST BE IDENTIFIED PRIOR TO INSTALLING THE APPURTENANCE. ADDITIONAL PRODUCTS MAY BE REQUIRED TO MAINTAIN THE INTEGRITY OF THE SAFETY CLIMB. DURING INSTALLATION, TEMPORARY AND/OR PERMANENT PRECAUTIONARY MEASURES SHOULD BE TAKEN TO PRESERVE THE CLIMBING FACILITY AND/OR SAFETY CLIMB.
- 3.0 MANUFACTURING/SPECIAL REQUIREMENTS
 - 3.1 TIGHTEN ALL BOLTS SECURING FLAT PLATES BY THE TURN-OF-NUT METHOD. TIGHTEN ALL U-BOLTS USING TURN-OF-NUT METHOD WITH ATTENTION TO LEAVE EQUAL DISTANCE AND EQUAL FORCE ON EACH LEG OF THE U-BOLT.
- 4.0 TEST
- 5.0 PACKAGING
 - 5.1 PACKAGING SHALL MEET COMMSCOPE REQUIREMENTS PER DOCUMENT IS-PL-3005.
 - 5.2 PRINTED DOCUMENT TO BE PLACED INSIDE POLYBAG AND THEN IN SHIPPING CONTAINER.
 - 5.3 EXTRA HARDWARE MAY BE SUPPLIED, BAGGED AND SHIPPED.

REVISIONS			
REV.	DESCRIPTION	DATE	APPROVED
A	INITIAL RELEASE	JL1183 18MAR24	YW1045 40191524CMO

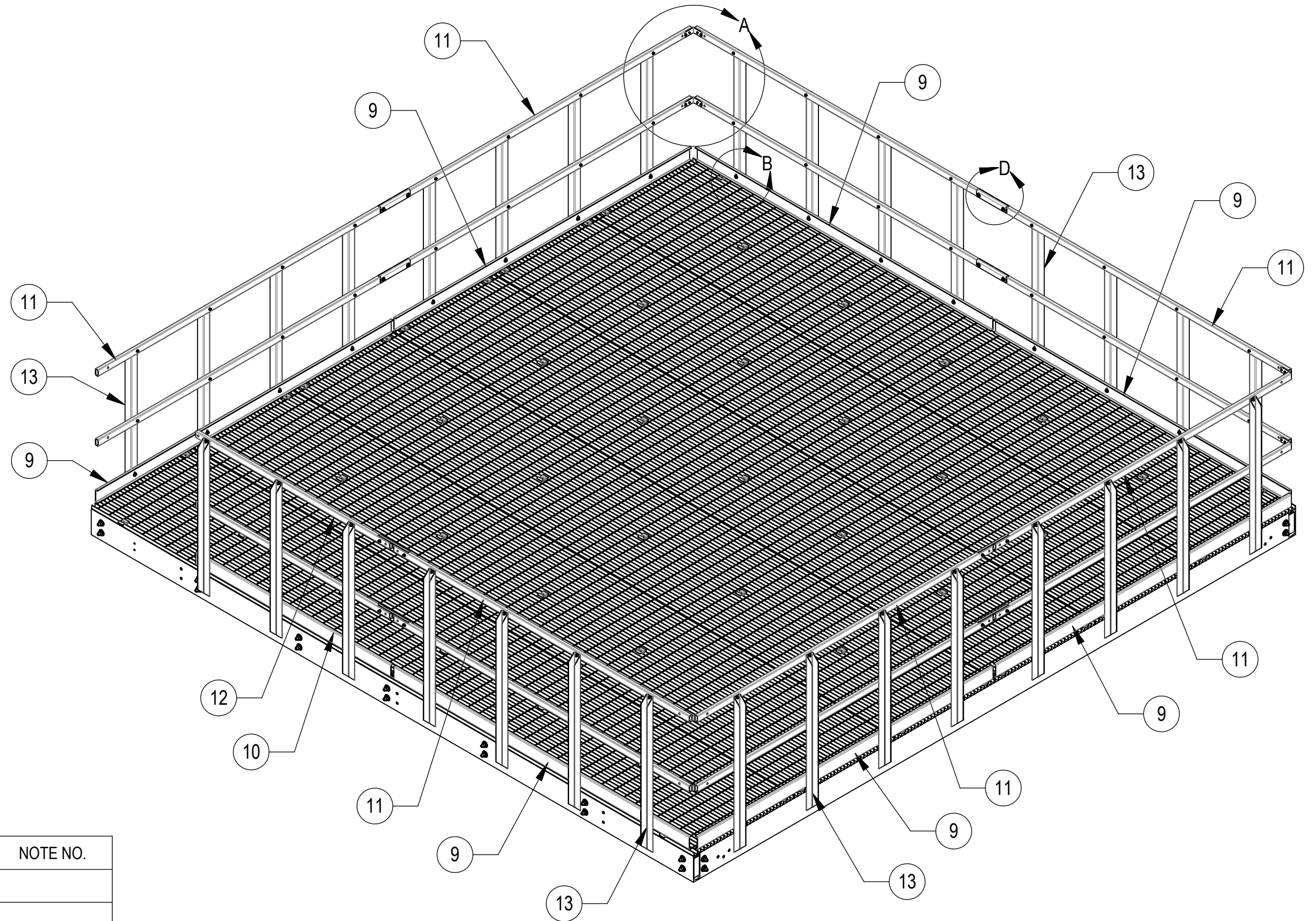


COMMSCOPE, INC. OF NORTH CAROLINA										
TOLERANCES					SAP MATERIAL MASTER					
1 PLACE .X[X] ± 0.2[6.3]			3 PLACE .XXX[X] ± 0.060[1.5]			EQ-P1818-EP-B				
2 PLACE .XX[X] ± 0.12[3.0]			ANGLES ± 2°							
FINISH					MATERIAL					
UNLESS OTHERWISE SPECIFIED DIMENSIONS ARE IN INCHES INTERPRET PER ANSI Y 14.5M-1994	NAME		DATE		TITLE					
	CE JL1183		18MAR24		PLATFORM, 18X18, BASE-KIT					
	RW									
	AD				SCALE		DOCUMENT NO.			
	RE				1:25		EQ-P1818-EP-B			
ECN 40191524CMO										
SIZE		Auth Group	INSL		MODEL			DRAWING		
C		⊕	◁		VERSION	STATUS	REVISION	VERSION	STATUS	REVISION
					00			00	IW	A
										SHEET 1 OF 4

DENSITY		lbs/in³
MASS	4945.98	lbs
VOLUME	17472.51	in³
SURFACE AREA	196448.87	in²
HEIGHT	220.5"	
LENGTH	220.5"	
WIDTH	50.9"	

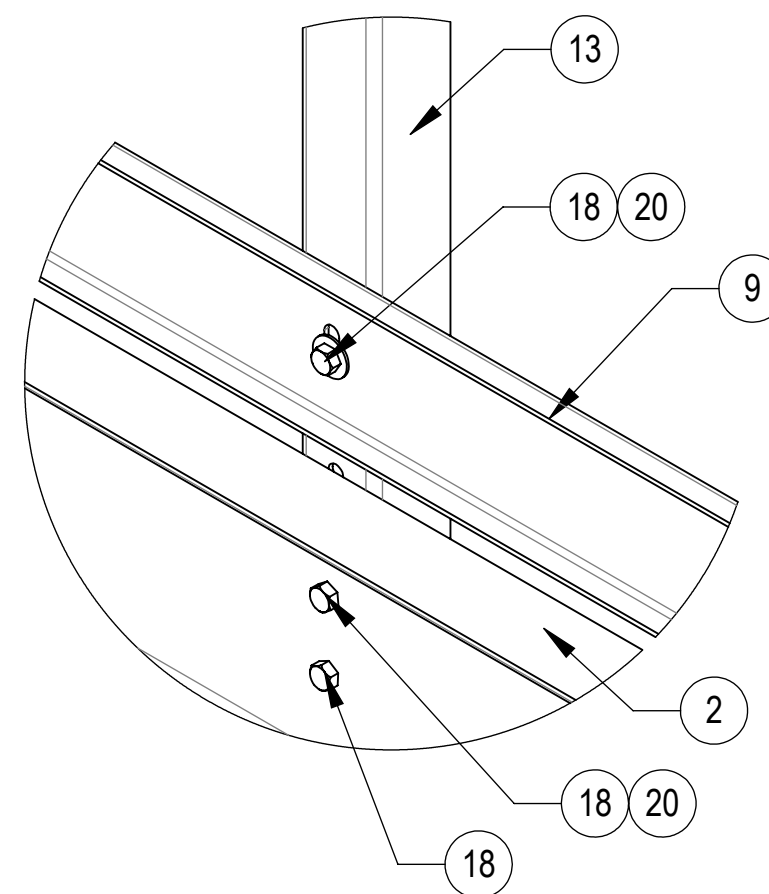


DETAIL A
SCALE 1 : 5

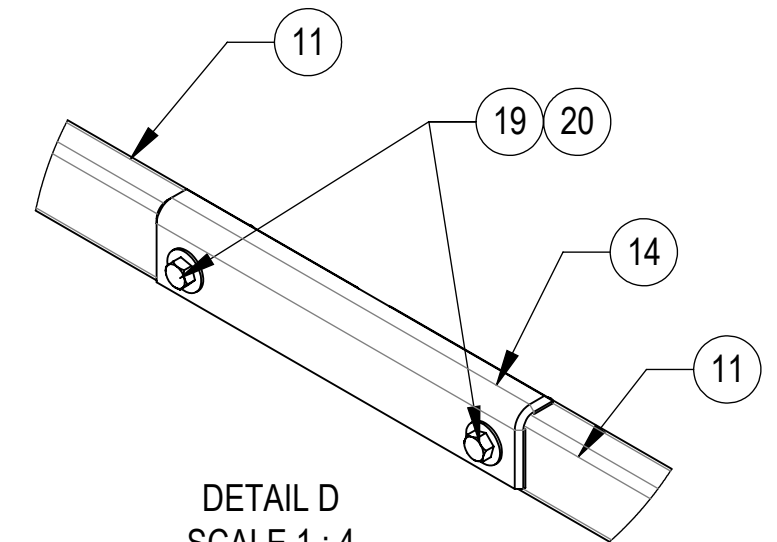


COMPONENT PART NUMBERS PROVIDED FOR ASSEMBLY PURPOSES;
INDIVIDUAL COMPONENTS MAY BE SHIPPED AS PARTS WITHIN AN INCLUDED KIT.

ITEM	PART NO.	DESCRIPTION	QTY.	WEIGHT	NOTE NO.
1	EQP1818-1000-00	18' SIDE CHANNEL, EQUIPMENT PLATFORM	7	202.43 LBS	
2	EQP1818-1001-00	18' SIDE CHANNEL, EQUIPMENT PLATFORM	2	204.87 LBS	
3	MTC7902101803	36" X 18' BAR GRATING	6	362.47 LBS	
4	EQP0810-1400	WELDMENT, ANGLE STEEL REINFORCEMENT	14	9.73 LBS	
5	GB-05205	5/8" X 2" GALV BOLT KIT	56	0.26 LBS	
6	GWF-05	5/8" GALV FLAT WASHER, 1.70D	112	0.06 LBS	
7	MTC390324	BAR GRATING CLIP	54	0.17 LBS	
8	TS1220	12-24 X 2" SELF DRILLING SCREW	54	0.03 LBS	
9	EQPTB-1203-00	TOEBOARD	7	18.59 LBS	
10	EQPTB-1204-00	TOEBOARD	1	12.27 LBS	
11	EQPHR-1203-00	RECTANGLE TUBE, HANDRAIL	14	18.93 LBS	
12	EQPHR-1204-00	RECTANGLE TUBE, HANDRAIL	2	12.40 LBS	
13	MTC403721	POST, HANDRAIL	31	9.98 LBS	
14	EQP0303-1002-00	FORMED ANGLE, HANDRAIL STIFFENER	8	1.43 LBS	
15	MTC3979HR19	ANGLE BRKT, HANDRAIL	6	0.32 LBS	
16	TS1288	12-24 X 7/8" SELF DRILLING SCREW	24	0.01 LBS	
17	GB-03165	3/8" X 1-3/4" GALV BOLT KIT	62	0.07 LBS	
18	GB-03105	3/8" X 1" GALV BOLT KIT	93	0.05 LBS	
19	GB-03205	3/8" X 2" GALV BOLT KIT	16	0.08 LBS	
20	GWF-03	3/8" GALV FLAT WASHER	78	0.01 LBS	

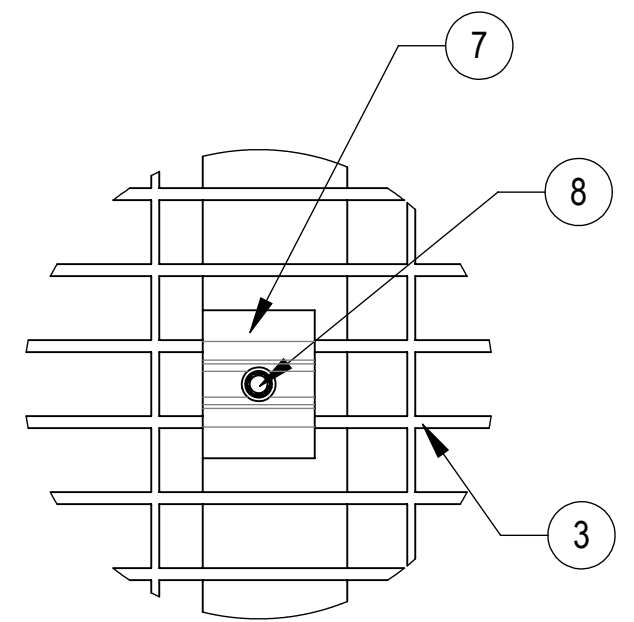
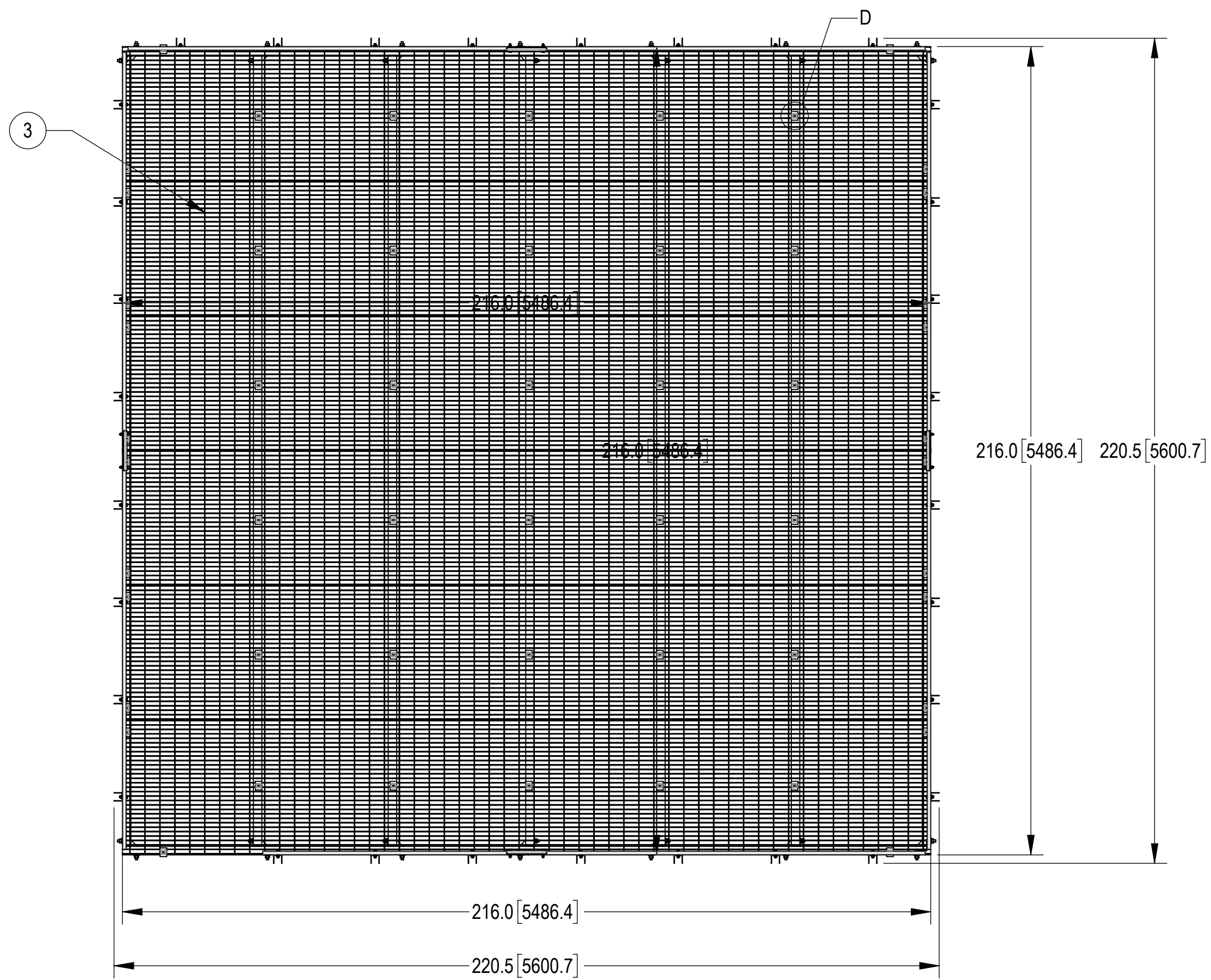


DETAIL B
SCALE 1 : 4

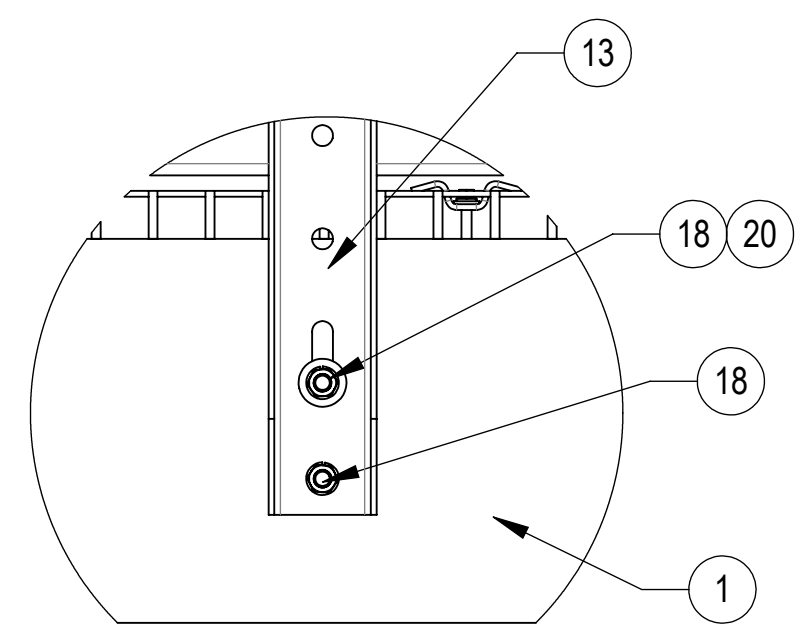


DETAIL D
SCALE 1 : 4

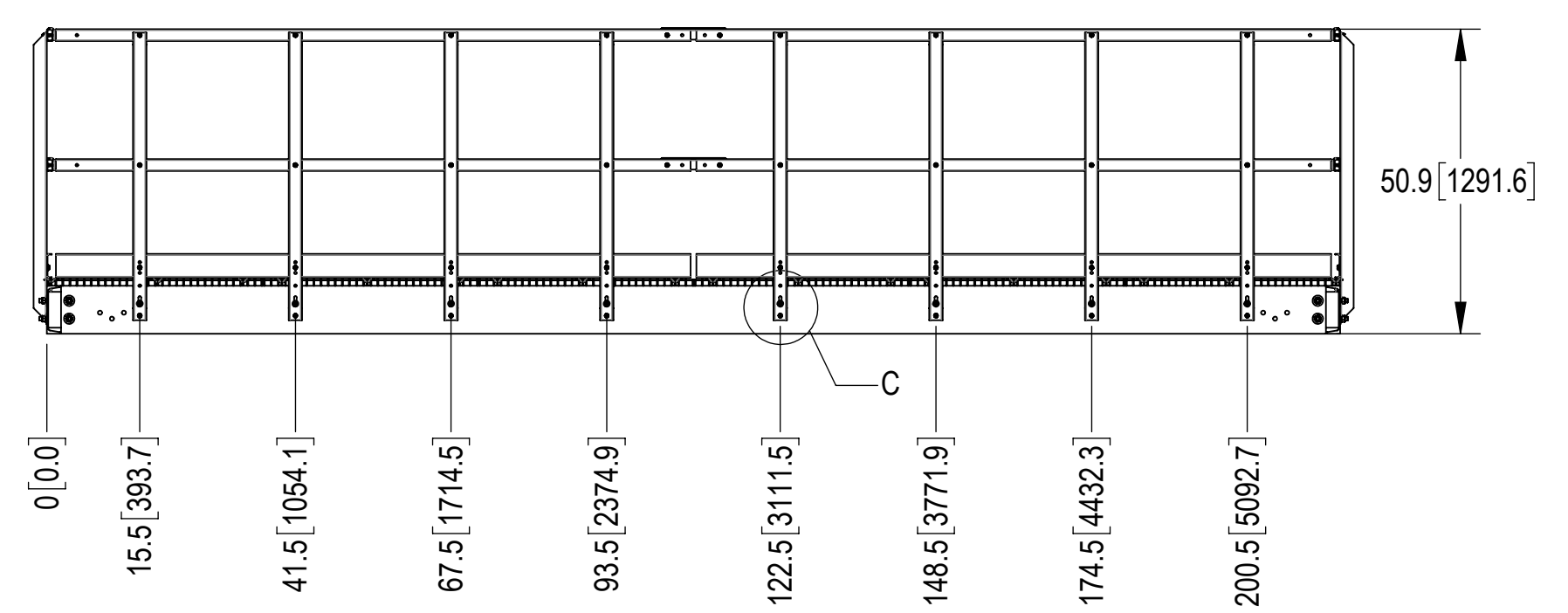
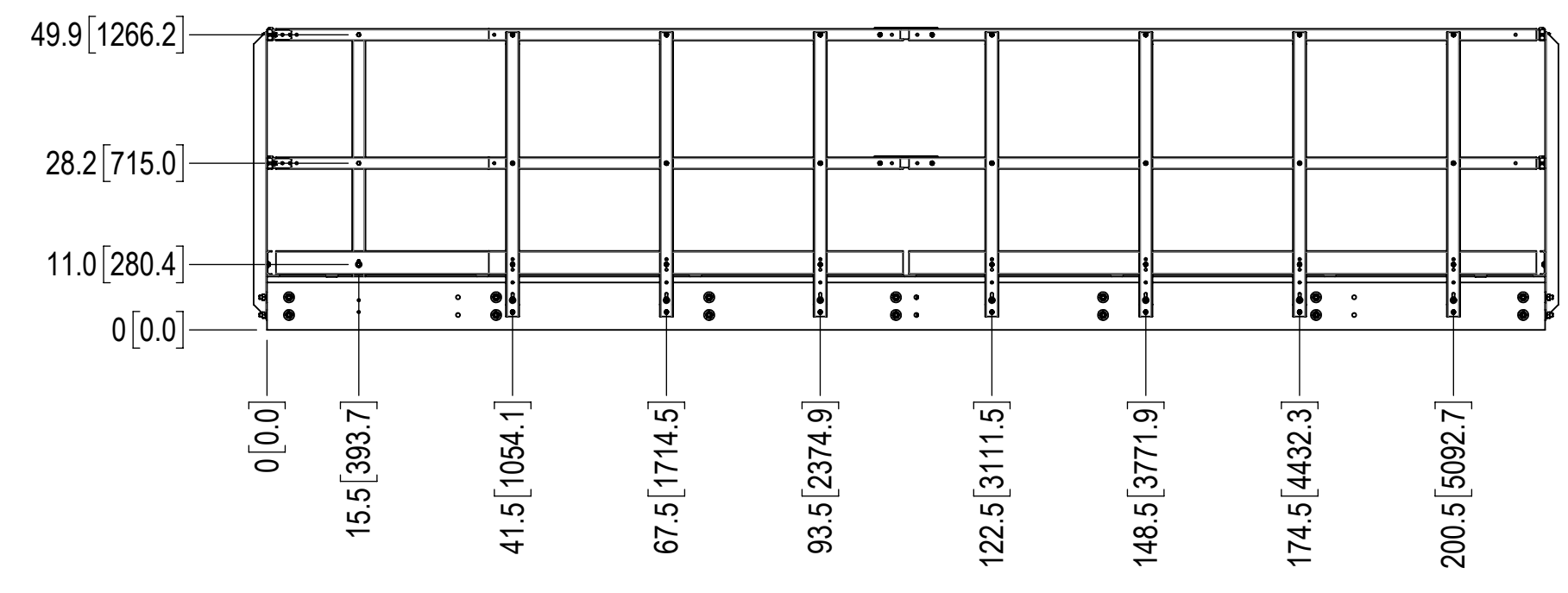
COMMSCOPE, INC. OF NORTH CAROLINA				
TITLE PLATFORM, 18X18, BASE-KIT				
SIZE C	SCALE 1:26	DOCUMENT NO. EQ-P1818-EP-B		
DRAWING		VERSION	STATUS	REVISION
SHEET 2 OF 4		00	IW	A



DETAIL D
SCALE 1:3



DETAIL C
SCALE 1:4



COMMScope, INC. OF NORTH CAROLINA				
TITLE PLATFORM, 18X18, BASE-KIT				
SIZE C	SCALE 1:28	DOCUMENT NO. EQ-P1818-EP-B		
DRAWING		VERSION	STATUS	REVISION
		00	IW	A
				SHEET 3 OF 4

ONLY SHOWN BASE FRAME FOR CLARITY

D

D

C

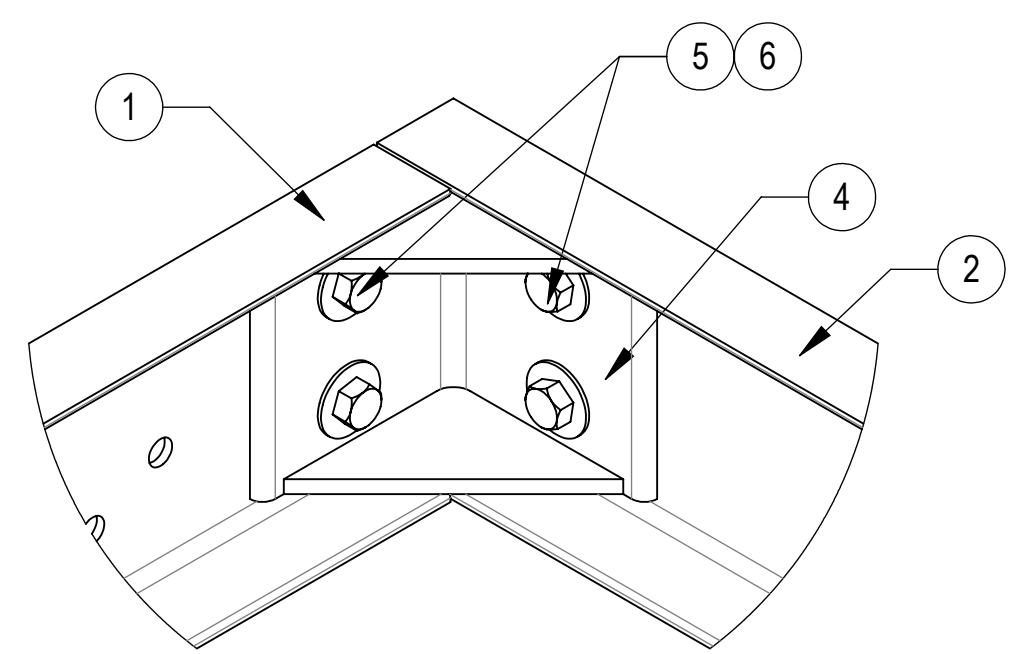
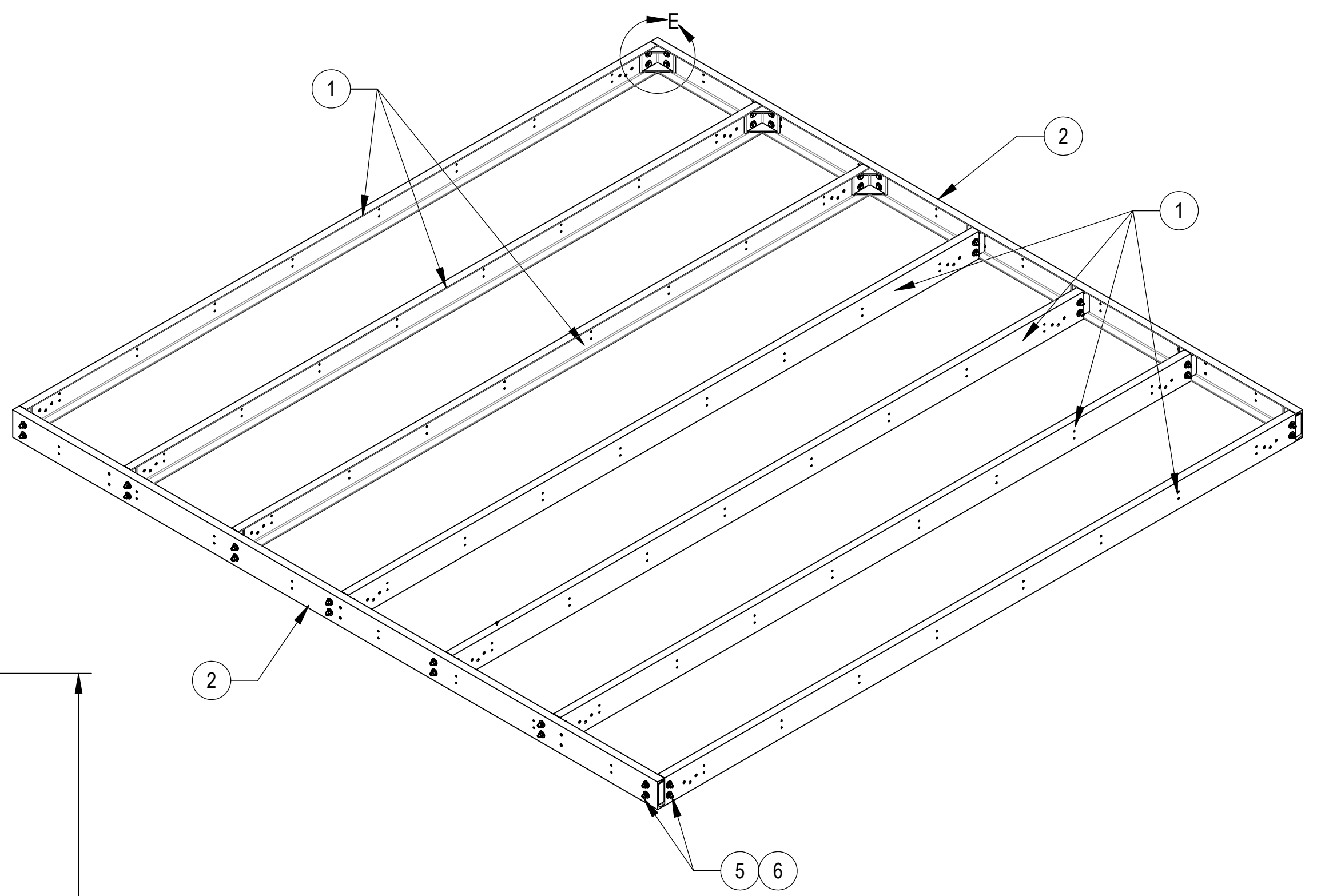
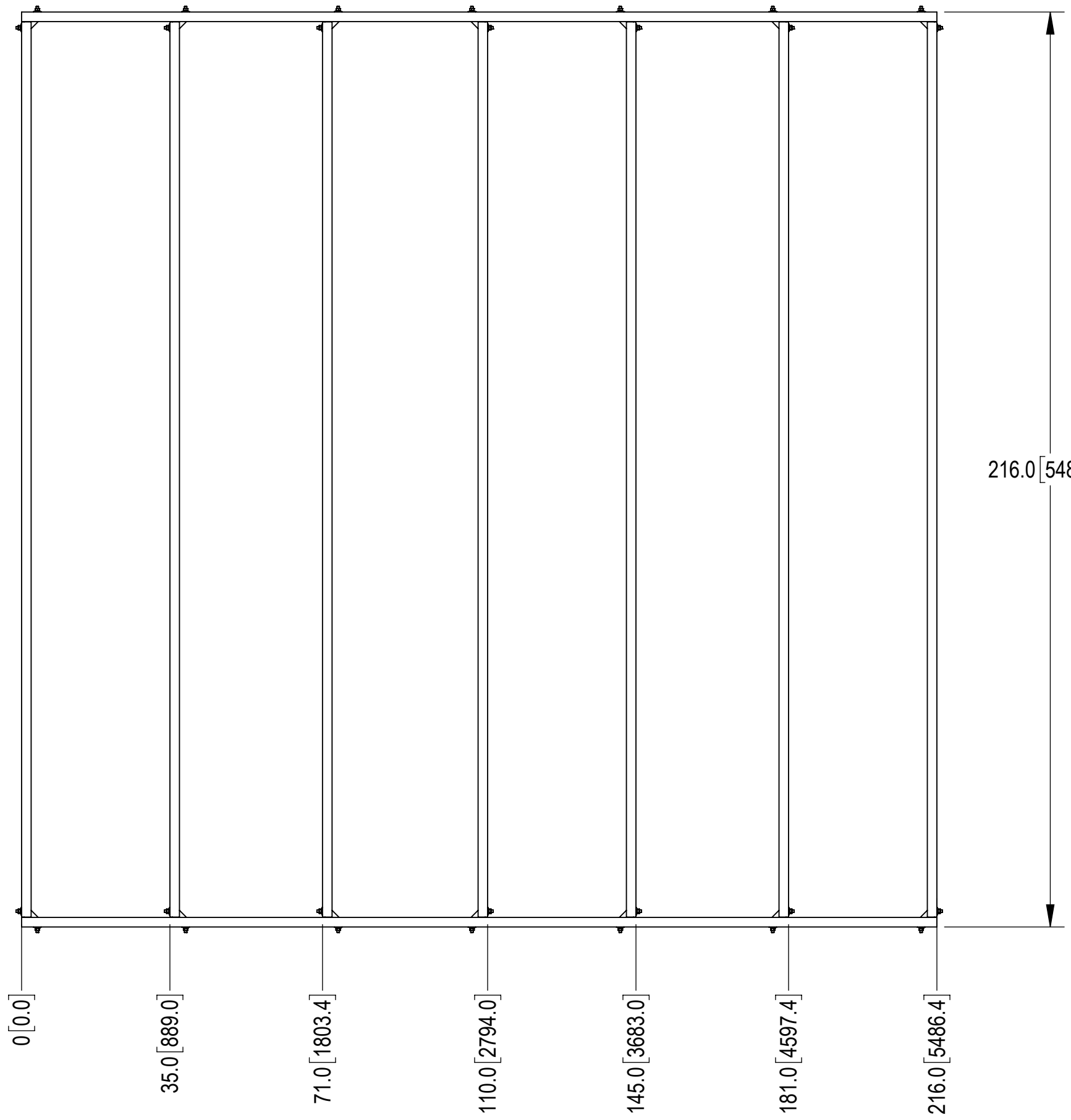
C

B

B

A

A



DETAIL E
SCALE 1 : 4

COMMSCOPE, INC. OF NORTH CAROLINA				
TITLE PLATFORM, 18X18, BASE-KIT				
SIZE C	SCALE 1:28	DOCUMENT NO. EQ-P1818-EP-B		
		DRAWING		SHEET
		VERSION	STATUS	REVISION
		00	IW	A
				4 OF 4

4

3

2

1

4

3

2

1

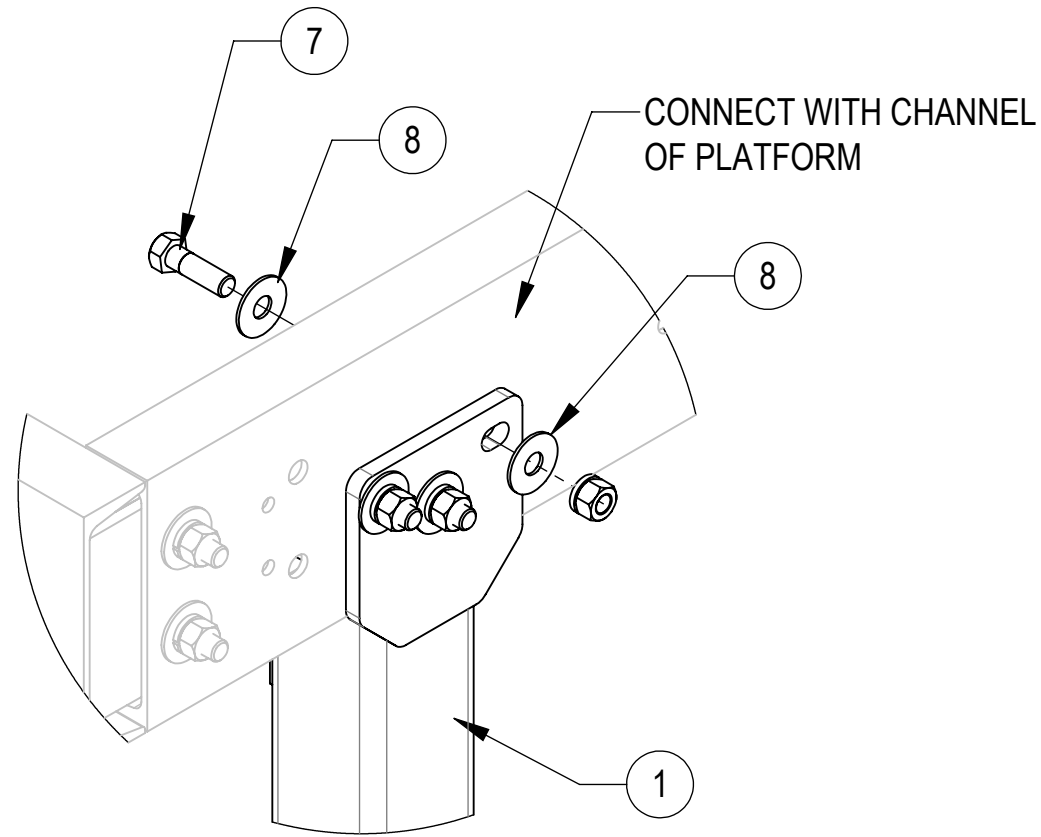
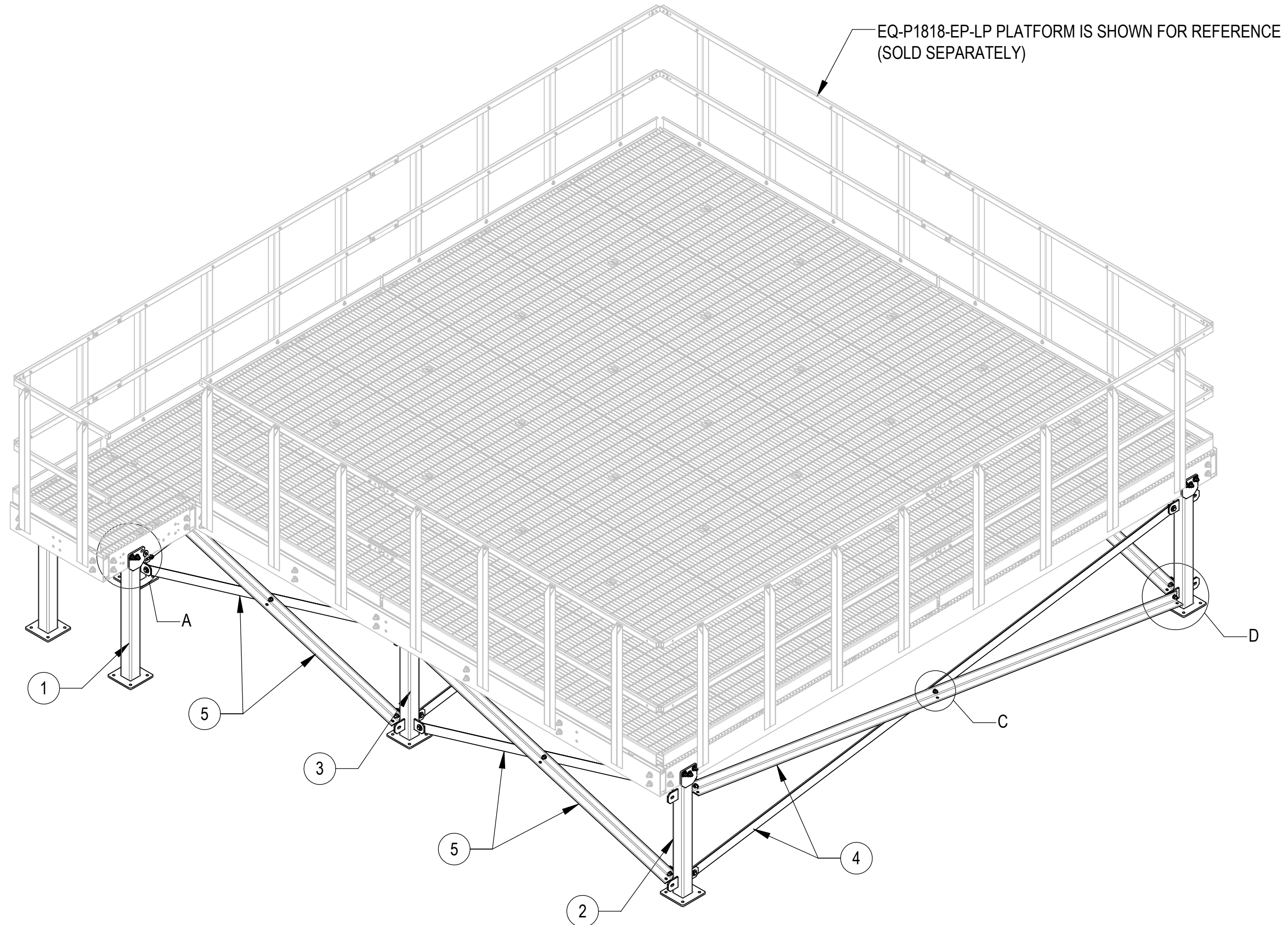
- 1.0 GENERAL NOTES
- 1.1 ALL METRIC DIMENSIONS ARE IN BRACKETS [X. X]
- 1.2 FOR PATENT INFO: <https://www.cs-pat.com>

- 2.0 DESIGN NOTES
- 2.1 ANY HAZARDS OR OBSTRUCTIONS TO THE CLIMBING FACILITY AND SAFETY CLIMB MUST BE IDENTIFIED PRIOR TO INSTALLING THE APPURTENANCE. ADDITIONAL PRODUCTS MAY BE REQUIRED TO MAINTAIN THE INTEGRITY OF THE SAFETY CLIMB. DURING INSTALLATION, TEMPORARY AND/OR PERMANENT PRECAUTIONARY MEASURES SHOULD BE TAKEN TO PRESERVE THE CLIMBING FACILITY AND/OR SAFETY CLIMB.

- 3.0 MANUFACTURING/SPECIAL REQUIREMENTS
- 3.1 TIGHTEN ALL BOLTS SECURING FLAT PLATES BY THE TURN-OF-NUT METHOD. TIGHTEN ALL U-BOLTS USING TURN-OF-NUT METHOD WITH ATTENTION TO LEAVE EQUAL DISTANCE AND EQUAL FORCE ON EACH LEG OF THE U-BOLT.

- 4.0 TEST
- 5.0 PACKAGING
- 5.1 PACKAGING SHALL MEET COMMSCOPE REQUIREMENTS PER DOCUMENT IS-PL-3005.
- 5.2 PRINTED DOCUMENT TO BE PLACED INSIDE POLYBAG AND THEN IN SHIPPING CONTAINER.
- 5.3 EXTRA HARDWARE MAY BE SUPPLIED, BAGGED AND SHIPPED.

REVISIONS			
REV.	DESCRIPTION	DATE	APPROVED
A	INITIAL RELEASE	JL1183 18MAR24	YW1045 40191524CMO



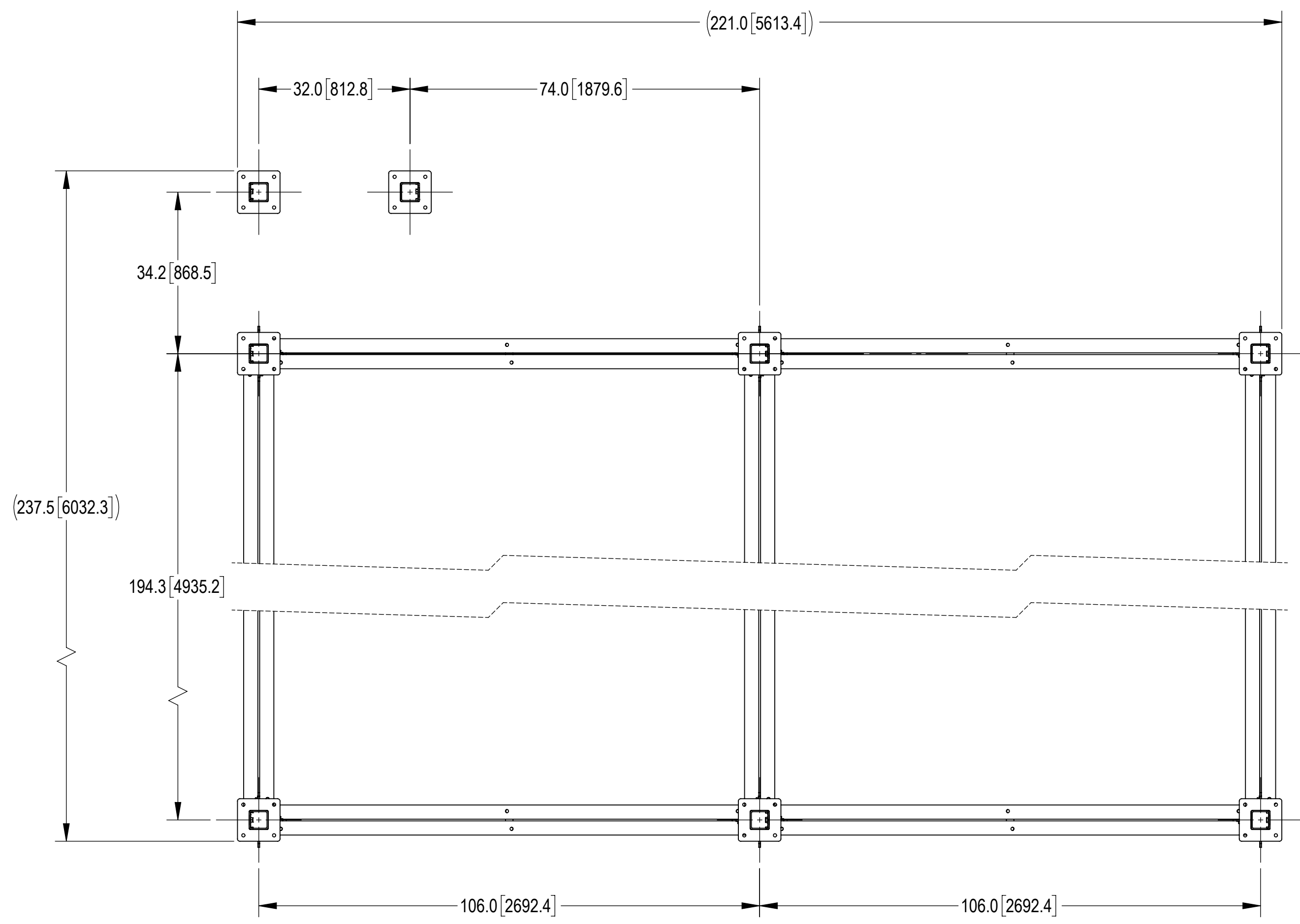
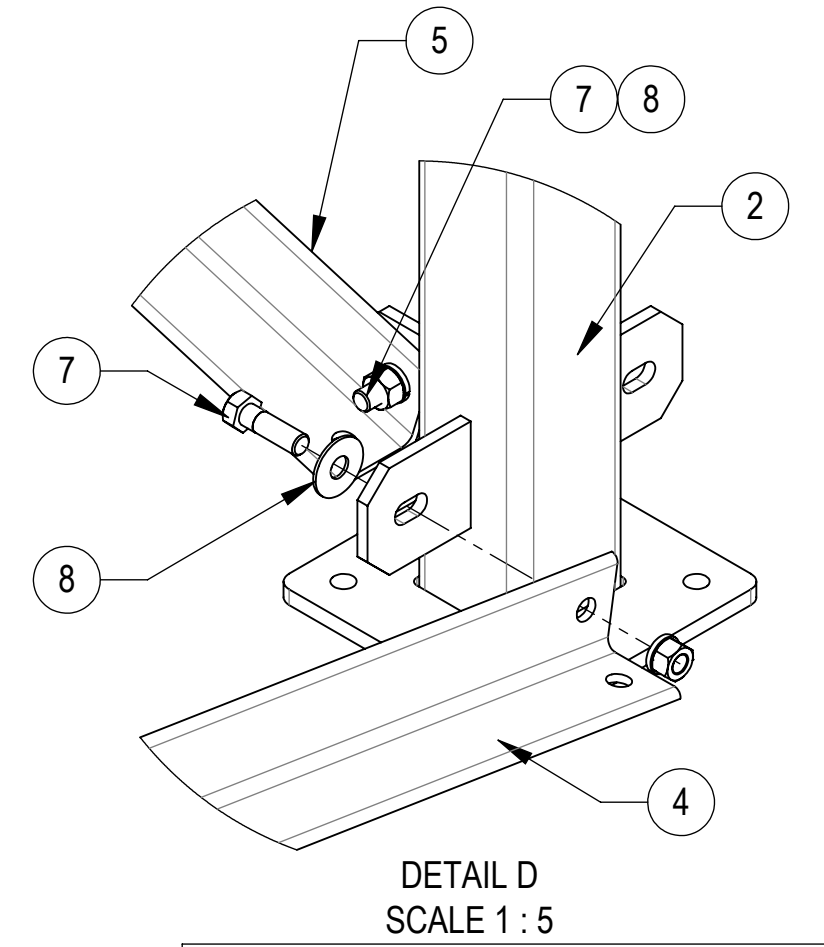
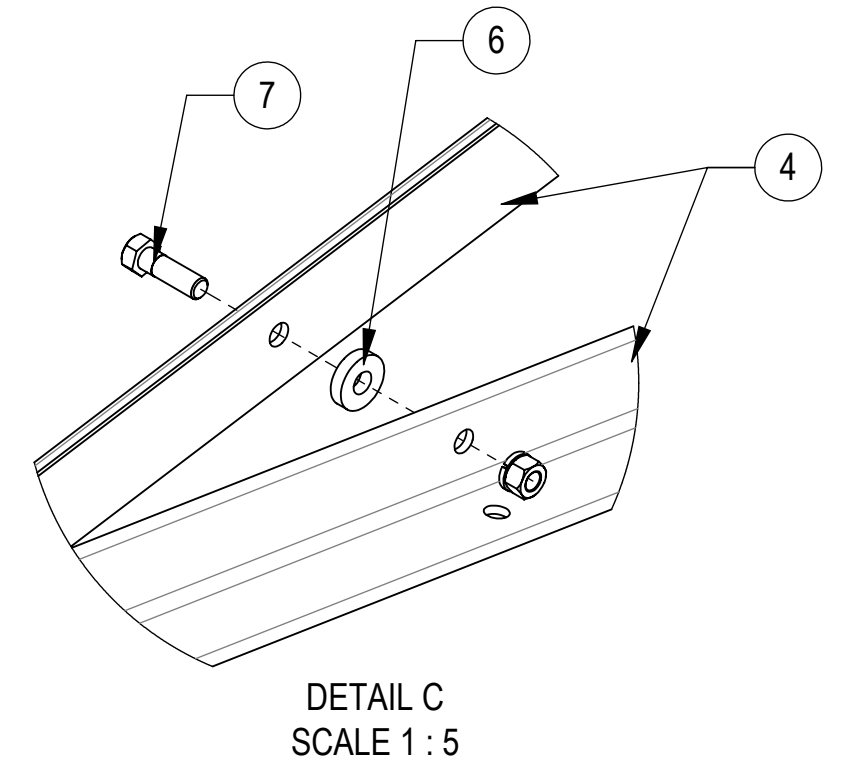
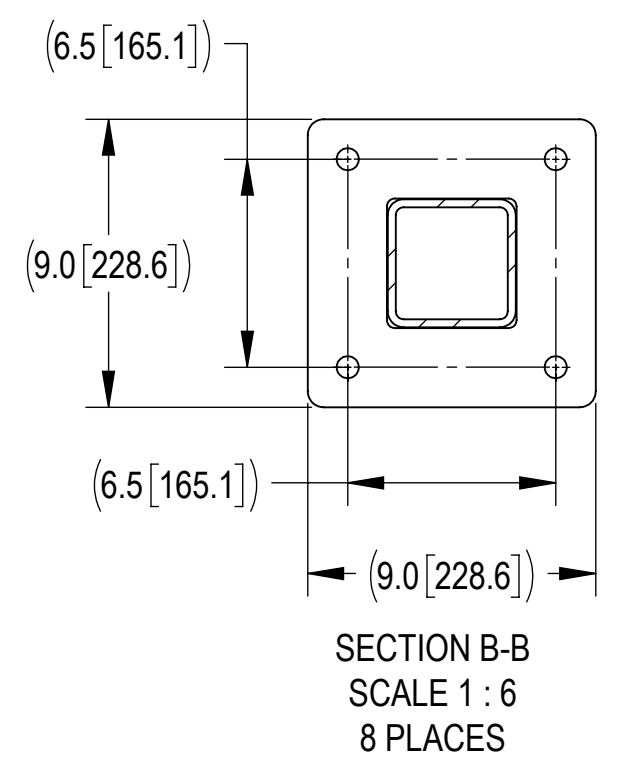
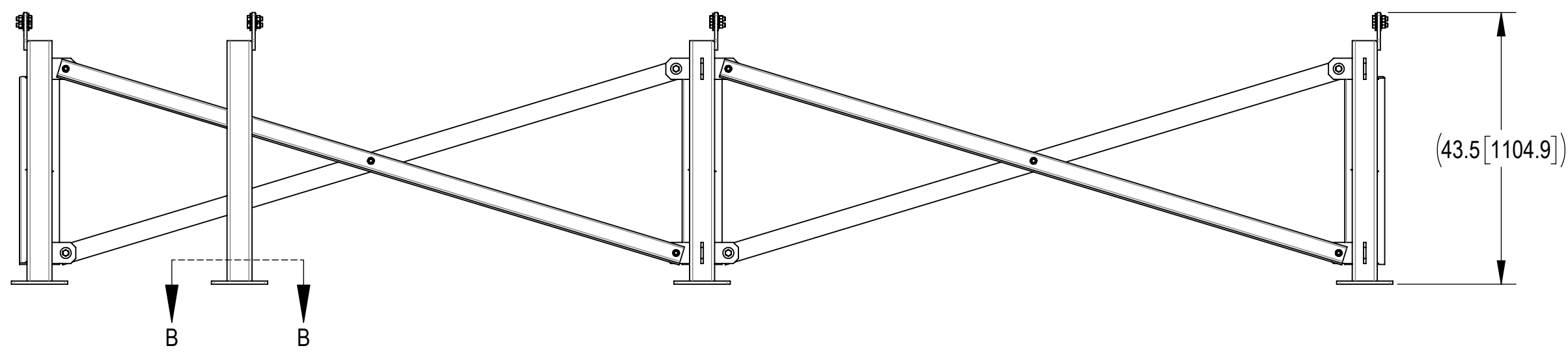
DETAIL A
SCALE 1 : 5
8 PLACES

COMPONENT PART NUMBERS PROVIDED FOR ASSEMBLY PURPOSES;
INDIVIDUAL COMPONENTS MAY BE SHIPPED AS PARTS WITHIN AN INCLUDED KIT.

ITEM	PART NO.	DESCRIPTION	QTY.	WEIGHT	NOTE NO.
1	MTC3823A40-00	WELDMENT, 4' ELEVATED LEG	2	52.91 LBS	
2	MTC3823A41-00	WELDMENT, 4' ELEVATED LEG W/B	4	60.31 LBS	
3	MTC3823A42-00	WELDMENT, 4' ELEVATED LEG W/B	2	62.77 LBS	
4	MTC3823A47-00	ANGLE BRACE LONG, 4' RISER	6	77.28 LBS	
5	MTC3823A48-00	ANGLE BRACE SHORT, 4' RISER	8	42.17 LBS	
6	MTC3823A34-00	PLATE SPACER, ELEVATED LEG	7	0.18 LBS	
7	GB-05205	5/8" X 2" GALV BOLT KIT	59	0.26 LBS	
8	GWF-05	5/8" GALV FLAT WASHER, 1.7OD	76	0.06 LBS	

COMMSCOPE, INC. OF NORTH CAROLINA												
TOLERANCES					SAP MATERIAL MASTER							
1 PLACE .X[X] ± 0.2[6.3]			3 PLACE .XXX[X] ± 0.060[1.5]		EQ-P1818-EP-R4							
2 PLACE .XX[X] ± 0.12[3.0]			ANGLES ± 2°									
FINISH					MATERIAL							
UNLESS OTHERWISE SPECIFIED DIMENSIONS ARE IN INCHES INTERPRET PER ANSI Y 14.5M-1994	NAME	DATE	TITLE									
	CE JL1183	18MAR24	RISER FOR EQ-P1818-EP-LP, 4'									
	RW											
	AD		SCALE	DOCUMENT NO.								
RE		1:25	EQ-P1818-EP-R4									
ECN 40191524CMO		SIZE		Auth Group		INSL		MODEL		DRAWING		SHEET 1 OF 2
C		00		00		00		00		IN		

DENSITY		lbs/in ³
MASS	1300.98	lbs
VOLUME	4578.83	in ³
SURFACE AREA	36164.29	in ²
HEIGHT	237.5"	
LENGTH	221.0"	
WIDTH	43.5"	



COMMSCOPE, INC. OF NORTH CAROLINA				
TITLE RISER FOR EQ-P1818-EP-LP, 4'				
SIZE C	SCALE 1:20	DOCUMENT NO. EQ-P1818-EP-R4		
		DRAWING		SHEET 2 OF 2
		VERSION 00	STATUS IN	

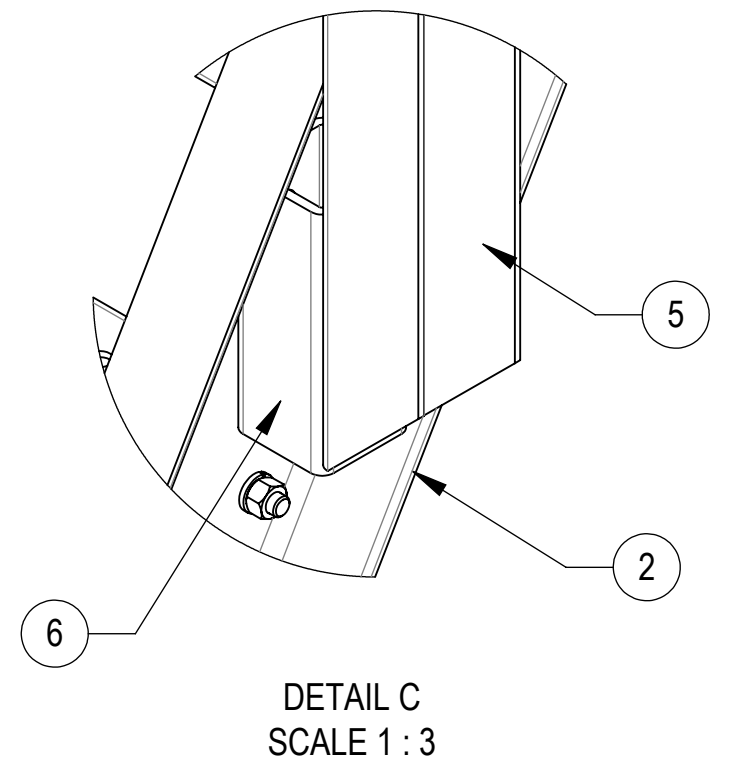
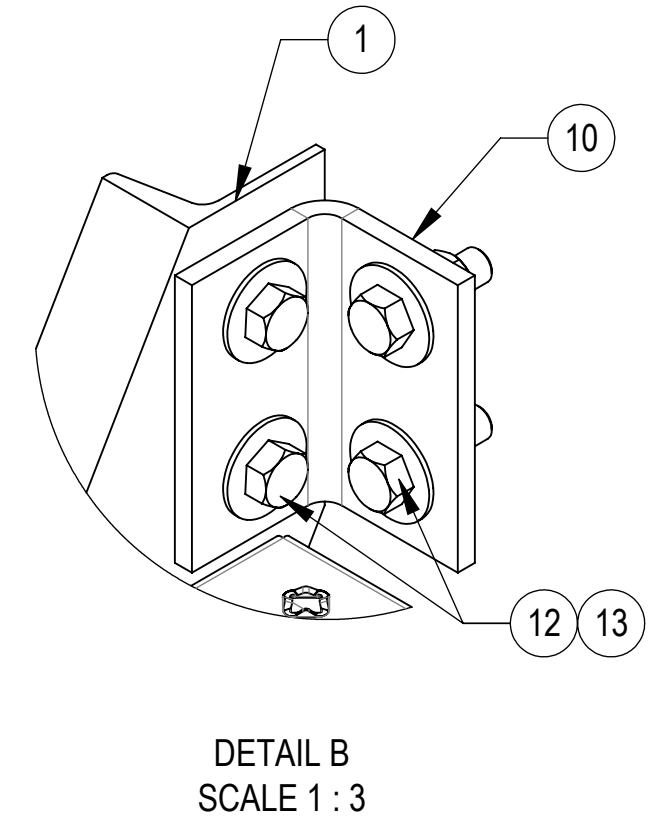
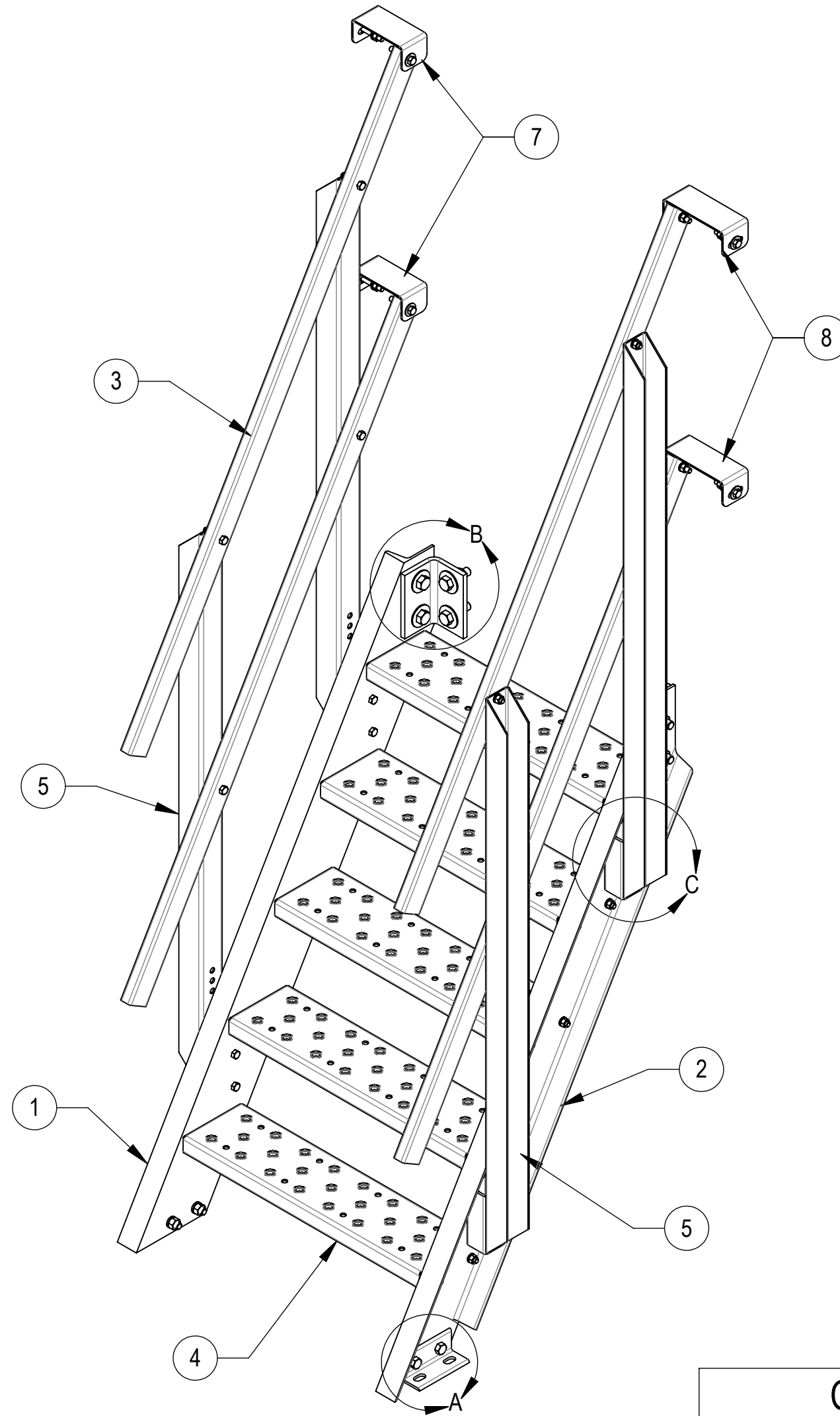
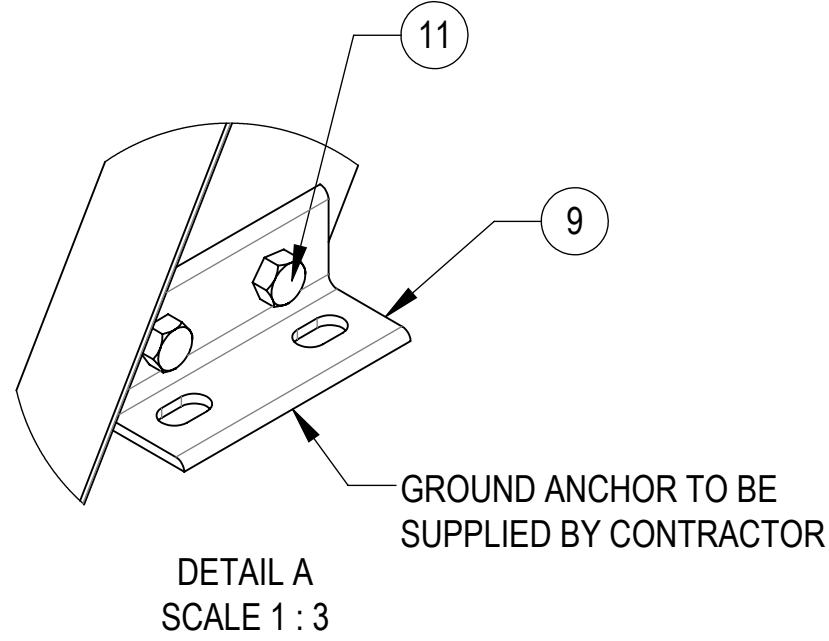
1.0 GENERAL NOTES
 1.1 ALL METRIC DIMENSIONS ARE IN BRACKETS [X. X]
 1.2 FOR PATENT INFO: <https://www.cs-pat.com>

2.0 DESIGN NOTES
 2.1 ANY HAZARDS OR OBSTRUCTIONS TO THE CLIMBING FACILITY AND SAFETY CLIMB MUST BE IDENTIFIED PRIOR TO INSTALLING THE APPURTENANCE. ADDITIONAL PRODUCTS MAY BE REQUIRED TO MAINTAIN THE INTEGRITY OF THE SAFETY CLIMB. DURING INSTALLATION, TEMPORARY AND/OR PERMANENT PRECAUTIONARY MEASURES SHOULD BE TAKEN TO PRESERVE THE CLIMBING FACILITY AND/OR SAFETY CLIMB.

3.0 MANUFACTURING/SPECIAL REQUIREMENTS
 3.1 TIGHTEN ALL BOLTS SECURING FLAT PLATES BY THE TURN-OF-NUT METHOD. TIGHTEN ALL U-BOLTS USING TURN-OF-NUT METHOD WITH ATTENTION TO LEAVE EQUAL DISTANCE AND EQUAL FORCE ON EACH LEG OF THE U-BOLT.

4.0 TEST
 5.0 PACKAGING
 5.1 PACKAGING SHALL MEET COMMSCOPE REQUIREMENTS PER DOCUMENT IS-PL-3005.
 5.2 PRINTED DOCUMENT TO BE PLACED INSIDE POLYBAG AND THEN IN SHIPPING CONTAINER.
 5.3 EXTRA HARDWARE MAY BE SUPPLIED, BAGGED AND SHIPPED.

REVISIONS			
REV.	DESCRIPTION	DATE	APPROVED
A	INITIAL RELEASE	JL1183 18MAR24	YW1045 40191524CMO



COMPONENT PART NUMBERS PROVIDED FOR ASSEMBLY PURPOSES;
 INDIVIDUAL COMPONENTS MAY BE SHIPPED AS PARTS WITHIN AN INCLUDED KIT.

ITEM	PART NO.	DESCRIPTION	QTY.	WEIGHT	NOTE NO.
1	EQPSL-1113-00	LADDER LEG, LEFT SIDE	1	33.69 LBS	
2	EQPSL-1114-00	LADDER LEG, RIGHT SIDE	1	33.69 LBS	
3	EQPHR-1109-00	HANDRAIL, LADDER	4	9.90 LBS	
4	EQPS0624-00	6"X24" STAIR GRIP STEP	5	8.13 LBS	
5	MTC403721	POST, HANDRAIL	4	9.98 LBS	
6	EQPSL-1102-00	HANDRAIL SPACER	4	1.81 LBS	
7	EQPSL-1103-00	HANDRAIL BRACKET LEFT	2	0.75 LBS	
8	EQPSL-1104-00	HANDRAIL BRACKET RIGHT	2	0.84 LBS	
9	MTC9577L605	LADDER ANCHOR CLIP	2	0.92 LBS	
10	MTC9577.14	STEP CHANNEL MOUNTING ANGLE	2	3.10 LBS	
11	GB-04125	1/2" X 1-1/4" GALV BOLT KIT	4	0.12 LBS	
12	GB-05205	5/8" X 2" GALV BOLT KIT	8	0.26 LBS	
13	GWF-05	5/8" GALV FLAT WASHER, 1.70D	8	0.06 LBS	
14	GB-03205	3/8" X 2" GALV BOLT KIT	8	0.08 LBS	
15	GB-03305	3/8" X 3" GALV BOLT KIT	8	0.11 LBS	
16	GB-03165	3/8" X 1-3/4" GALV BOLT KIT	8	0.07 LBS	
17	GB-03105	3/8" X 1" GALV BOLT KIT	20	0.05 LBS	
18	GWF-03	3/8" GALV FLAT WASHER	22	0.01 LBS	

DENSITY		lbs/in ³
MASS	214.62	lbs
VOLUME	760.31	in ³
SURFACE AREA	10261.75	in ²
HEIGHT	37.3"	
LENGTH	90.2"	
WIDTH	30.3"	

COMMSCOPE, INC. OF NORTH CAROLINA

TOLERANCES: 1 PLACE .X[X] ± 0.2[6.3], 2 PLACE .XX[X] ± 0.12[3.0], 3 PLACE .XXX[X] ± 0.060[1.5], ANGLES ± 2°

SAP MATERIAL MASTER: EQ-SL4.0

FINISH: [] MATERIAL: []

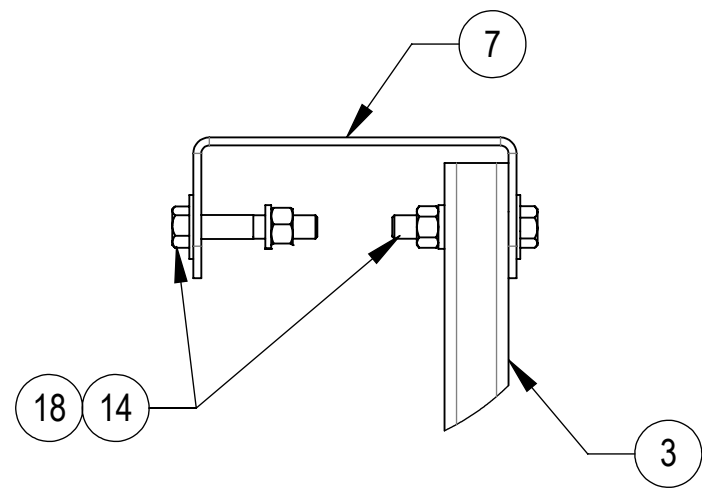
NAME: CE, DATE: 18MAR24, TITLE: SHIP LADDER, 4' ELEVATED PLAT/HR

UNLESS OTHERWISE SPECIFIED DIMENSIONS ARE IN INCHES INTERPRET PER ANSI Y 14.5M-1994

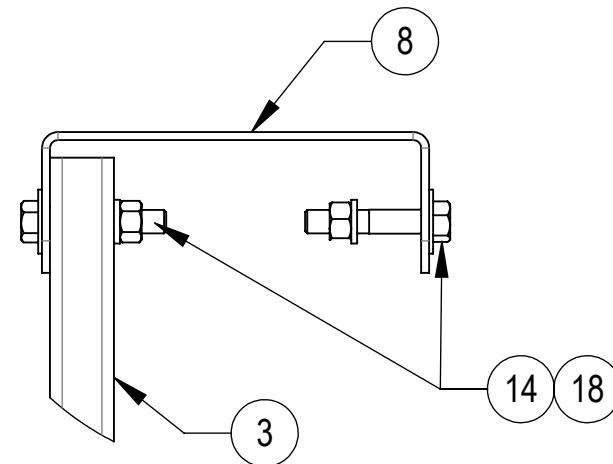
SCALE: 1:10, DOCUMENT NO.: EQ-SL4.0

ECN: 40191524CMO

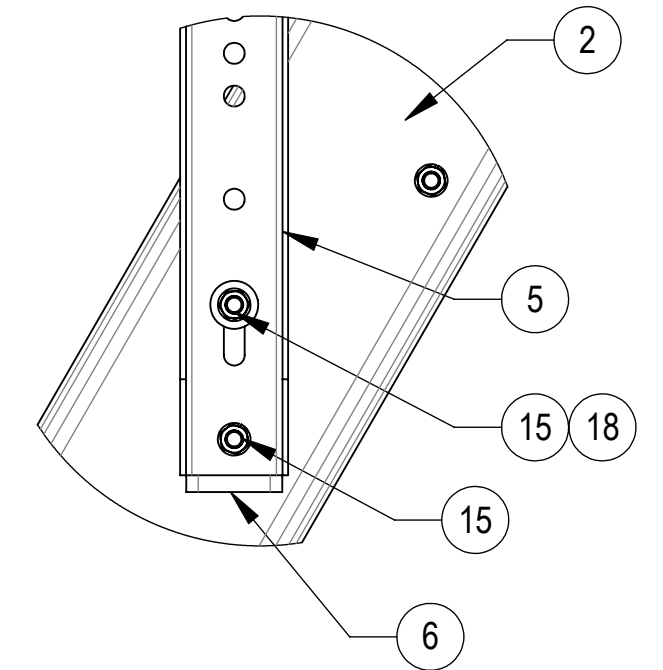
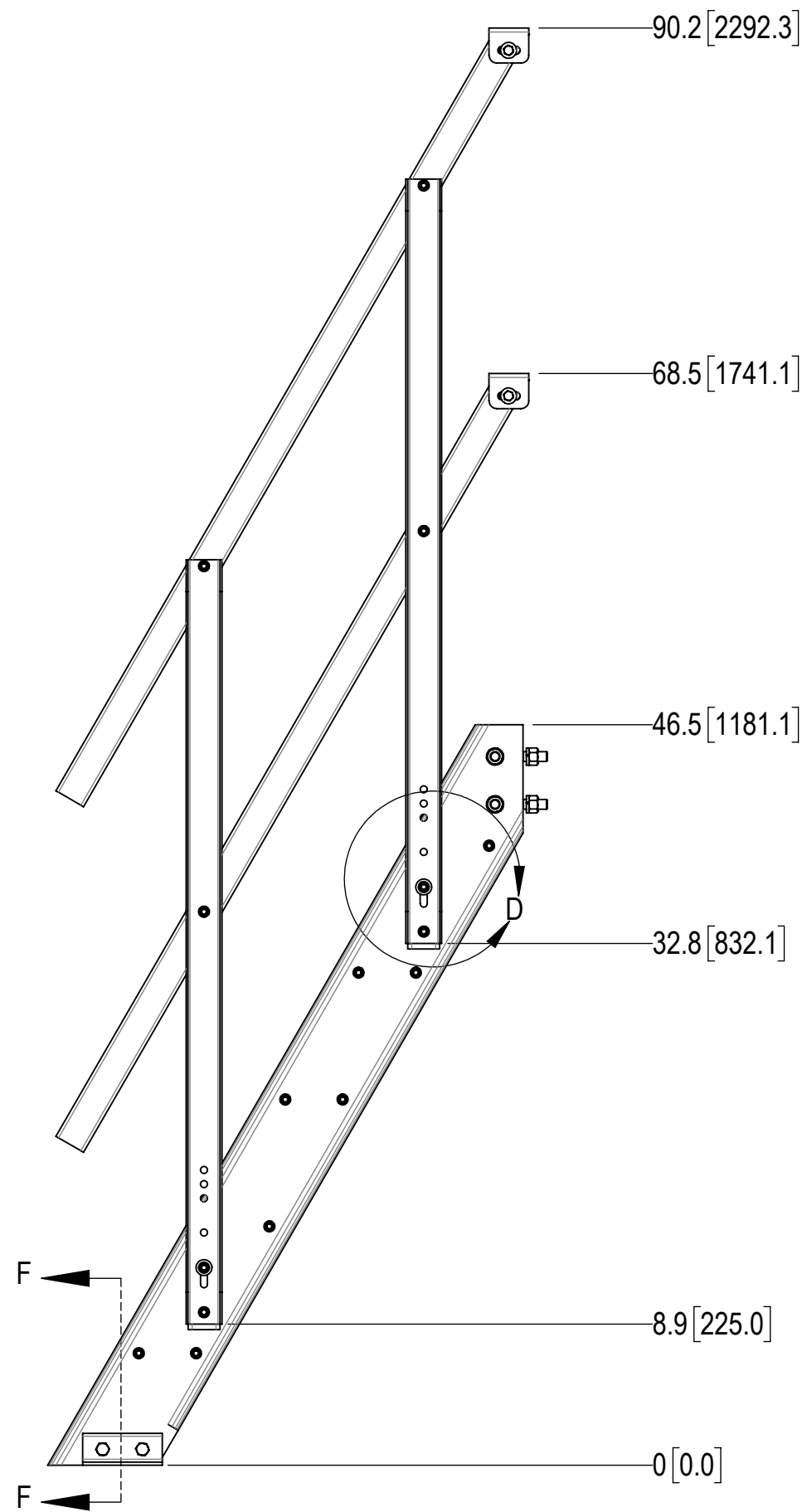
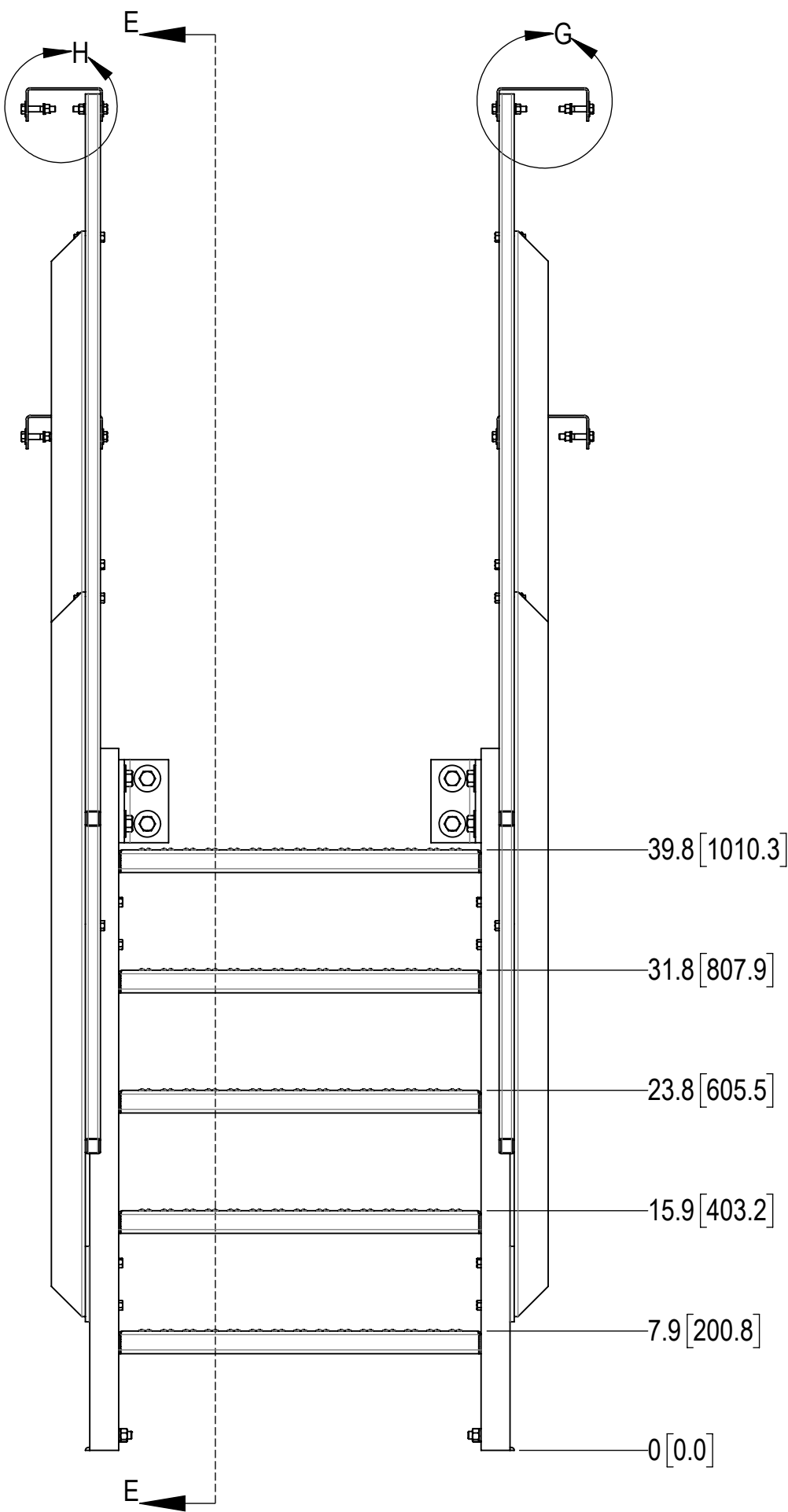
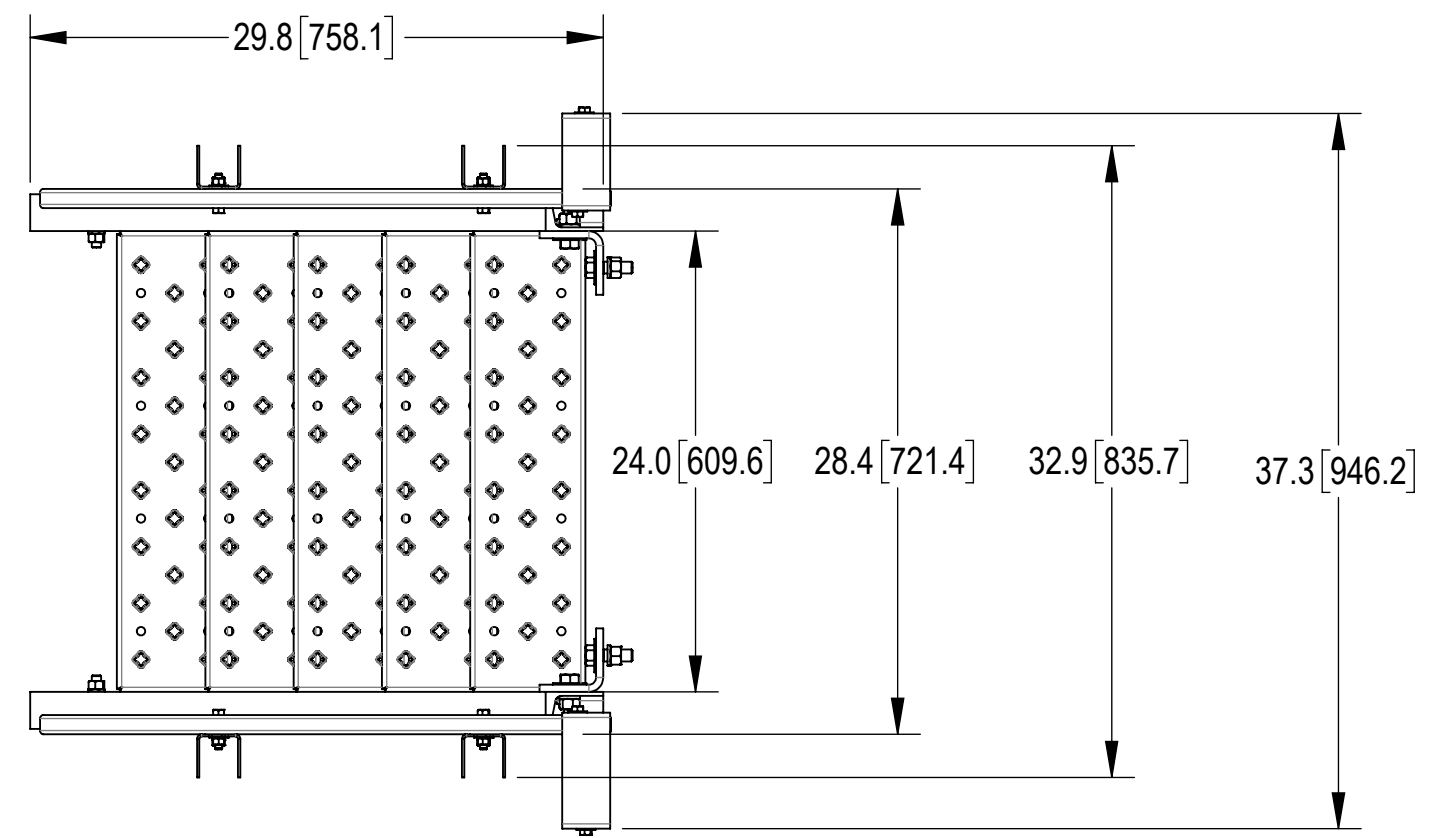
SIZE	Auth Group	INSL	MODEL	DRAWING			SHEET				
C	[Symbol]	[Symbol]	VERSION	STATUS	REVISION	VERSION	STATUS	REVISION	00	IW	1 OF 3



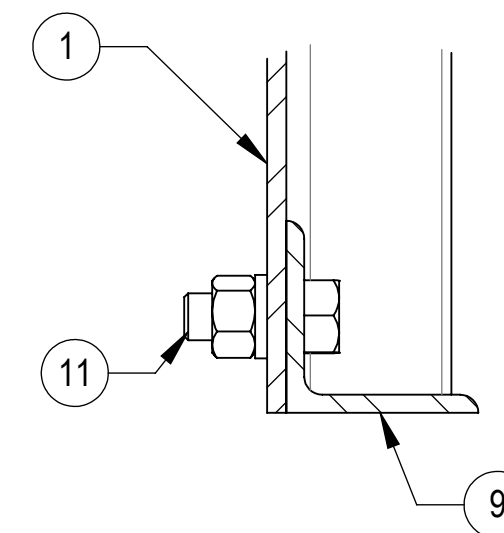
DETAIL H
SCALE 1 : 3
2 PLACES



DETAIL G
SCALE 1 : 3
2 PLACES



DETAIL D
SCALE 1 : 4



SECTION F-F
SCALE 1 : 2
CROP VIEW

COMMSCOPE, INC. OF NORTH CAROLINA				
TITLE SHIP LADDER, 4' ELEVATED PLAT/HR				
SIZE C	SCALE 1:10	DOCUMENT NO. EQ-SL4.0		
		DRAWING		SHEET
		VERSION	STATUS	REVISION
		00	IW	
				SHEET 2 OF 3

4

3

2

1

D

D

C

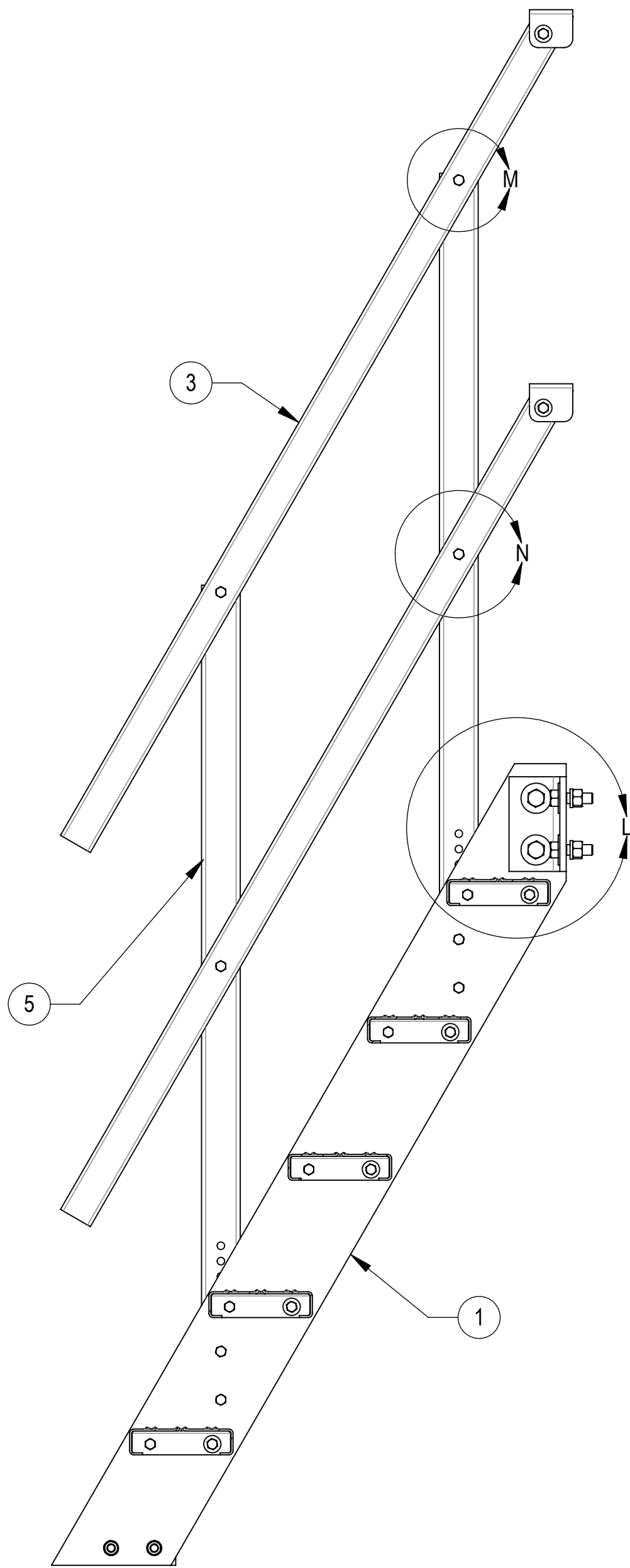
C

B

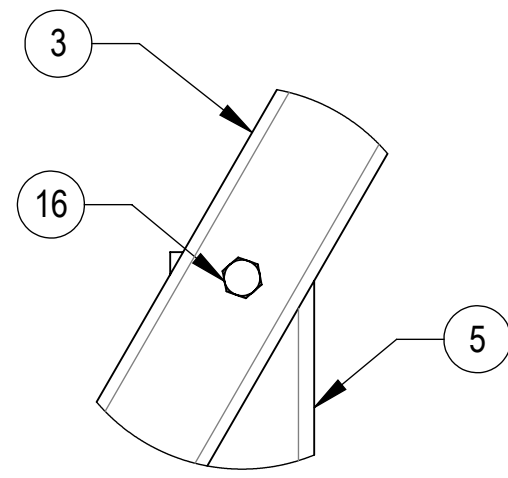
B

A

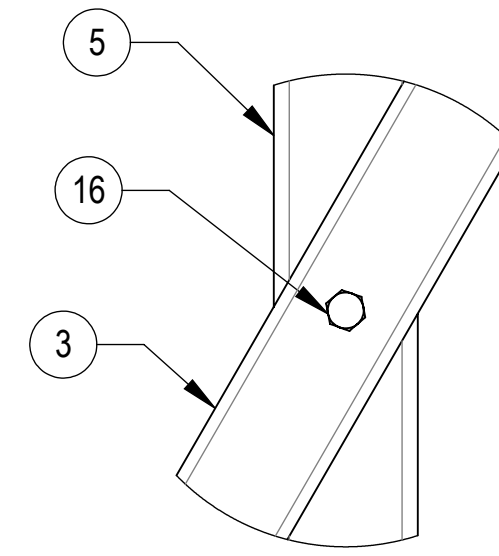
A



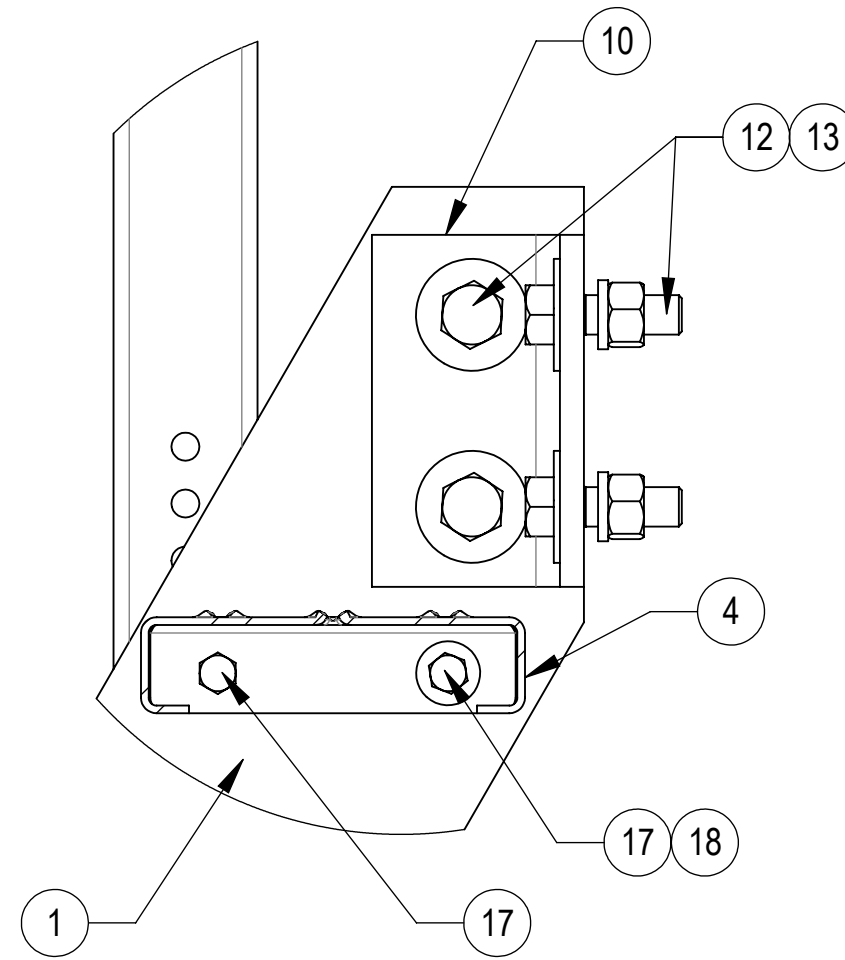
SECTION E-E
SCALE 1 : 7



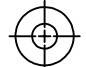
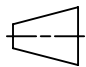
DETAIL M
SCALE 1 : 3



DETAIL N
SCALE 1 : 3



DETAIL L
SCALE 1 : 3

COMMSCOPE, INC. OF NORTH CAROLINA				
TITLE SHIP LADDER, 4' ELEVATED PLAT/HR				
SIZE C	SCALE 1:10	DOCUMENT NO. EQ-SL4.0		
 		DRAWING		SHEET 3 OF 3
		VERSION 00	STATUS IW	

4

3

2

1