

SL, Secure SL, E, KJ and M Series Modular Jacks

MODULAR JACK	CABLE STANDARD
SL Series	Categories 5e, 6
Secure SL Series	Categories 6
E, KJ and M Series	Categories 5e, 6

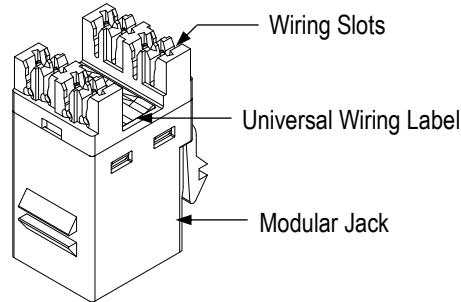


Figure 1

1. INTRODUCTION

This instruction sheet provides the termination procedure for the modular jacks given in Figure 1. To obtain information on products, contact your local **CommScope®** account representative, PartnerPRO™ Network Partner or visit our website at www.commscope.com.



NOTE

Dimensions in this instruction sheet are in metric units [with U.S. customary units in brackets]. Figures are not drawn to scale.

Reasons for reissue of this instruction sheet are provided in Section 7, REVISION SUMMARY.

2. DESCRIPTION

Each modular jack accepts 4-pair, twisted-pair cable with solid conductor sizes 24 through 22 AWG or stranded conductor sizes 26 through 24 AWG with a maximum conductor insulation diameter of 1.45 mm [.057 in.]. The modular jack features a universal wiring label used to aid in proper wire color coding and a wiring block that terminates the wire. See Figure 1. Space Limiting strain reliefs are available separately.

3. TERMINATION

1. Slide strain relief over cable jacket. Refer to Figure 2.
2. Strip only as much of the cable jacket as necessary to perform the termination.



NOTE

Generally, a strip length of 35 mm [1.378 in.] when using SL series modular jack tool kit 1725150-6 for termination will suffice.

Note: Not to Scale

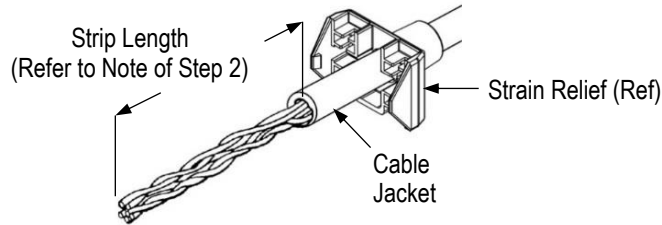
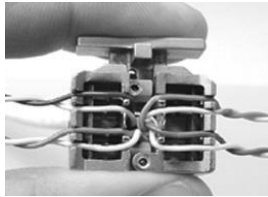


Figure 2

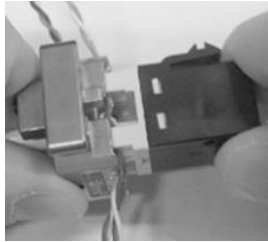
3.2. Using SL Series Modular Jack Tool Kit.

Figure 3 shows a general termination procedure when using the SL series modular jack tool kit. For detailed information, refer to instruction sheet **408-8858**.

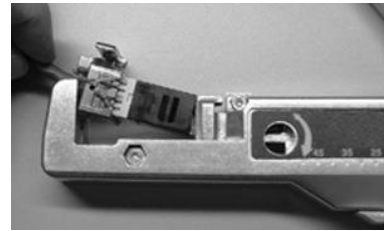
- ① Close lacing fixture around cable, then lace wires according to wiring label maintaining twisted ends as shown.



- ② Firmly press modular jack into lacing fixture, aligning the color-coded wires.



- ③ Insert lacing fixture (with modular jack) into tool as shown. Ensure modular jack is aligned properly before compressing tool handle.



- ④ Compress tool handle and remove trimmed wires while handle is closed.



- ⑤ Remove modular jack by moving it back and forth.

Figure 3

4. INSTALLING STRAIN RELIEF

When installed in enclosures where space is limited the modular jack is capable of performing with cable bend up to 90 degrees as seen in Figure 4. For these cases, the side entry strain relief 760258223 as seen in Figure 5 should be used.

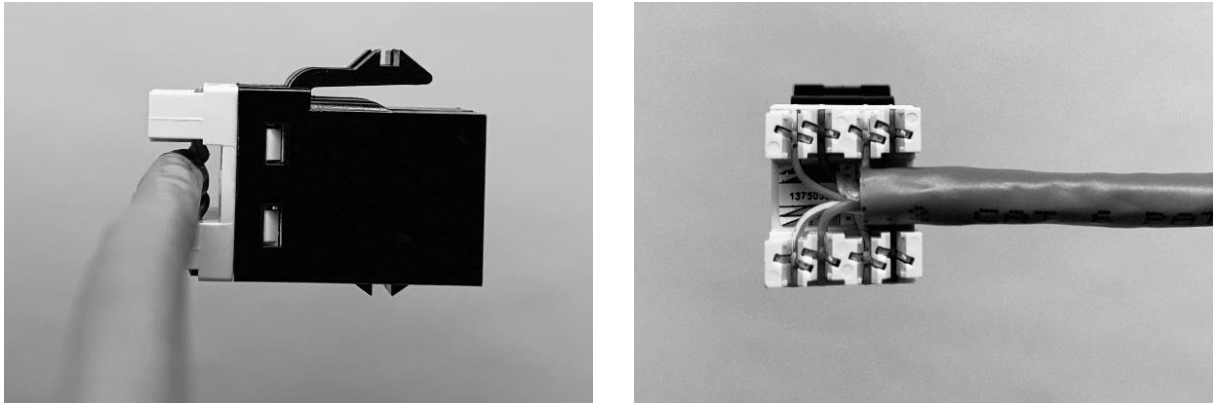


Figure 4

After terminating, slide the strain relief onto the modular jack until the latches of the strain relief engage of the modular jack as shown in Figure 5.

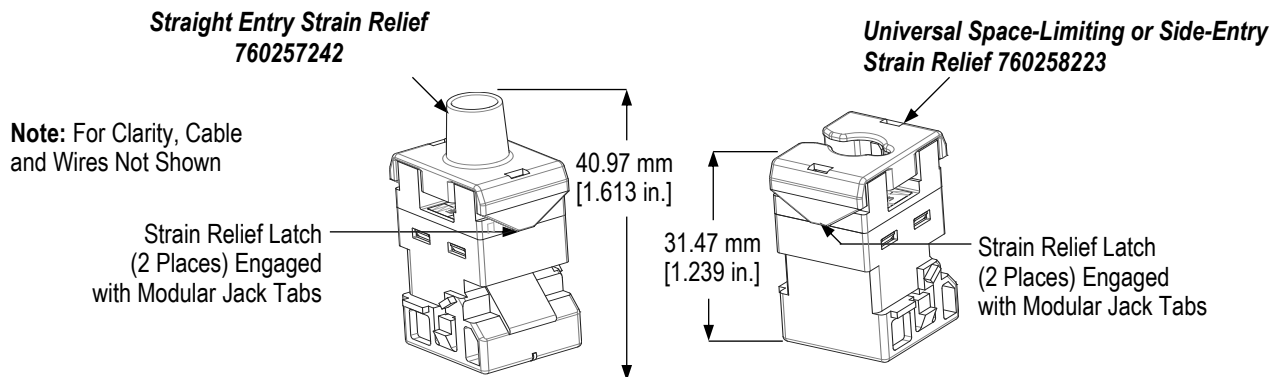


Figure 5

5. M-SERIES JACK REMOVAL FROM PANEL OR FACEPLATE

To remove jack from panel, insert jack removal tool to depress jack latches from bezel, as shown in Figure 6.

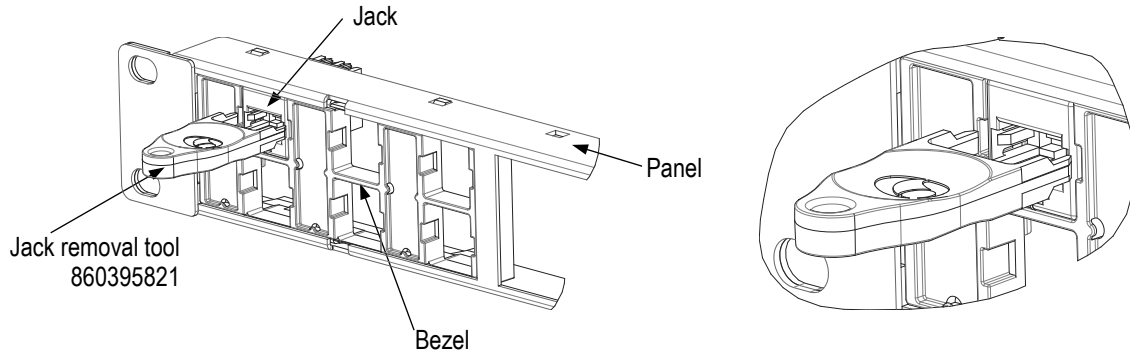


Figure 6

6. REPLACEMENT

Do not use damaged or defective product. These modular jacks are not repairable.

7. REVISION SUMMARY

Revisions to this instruction sheet include:

- Added M-Series Modular Jack
- Added section 5, "M-SERIES JACK REMOVAL FROM PANEL OR FACEPLATE"
- Removed strain relief reference to optional usage.
- Corrected the strain Relief cap MIDs and removed the section 3.3