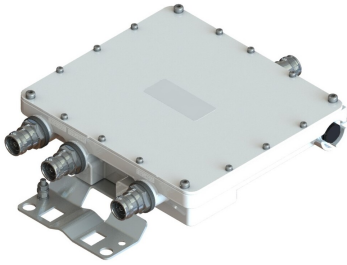


# E14F10P95

---



Triplexer 612-960/1400-1800/1920-4200, dc bypass on Low band port, with 4.3-10 connectors

- Industry leading PIM performance
- dc/AISG pass-through on low frequency ports
- New 4.3-10 connectors for improved PIM performance and size reduction
- Suitable for feeders cables reduction

## Product Classification

**Product Type** Triplexer

## General Specifications

**Product Family** CBC81821

**Color** Gray

**Common Port Label** Common

**Modularity** 1-Single

**Mounting** Pole | Wall

**Mounting Pipe Hardware** Band clamps (2)

**RF Connector Interface** 4.3-10 Female

**RF Connector Interface Body Style** Medium neck

## Dimensions

**Height** 179 mm | 7.047 in

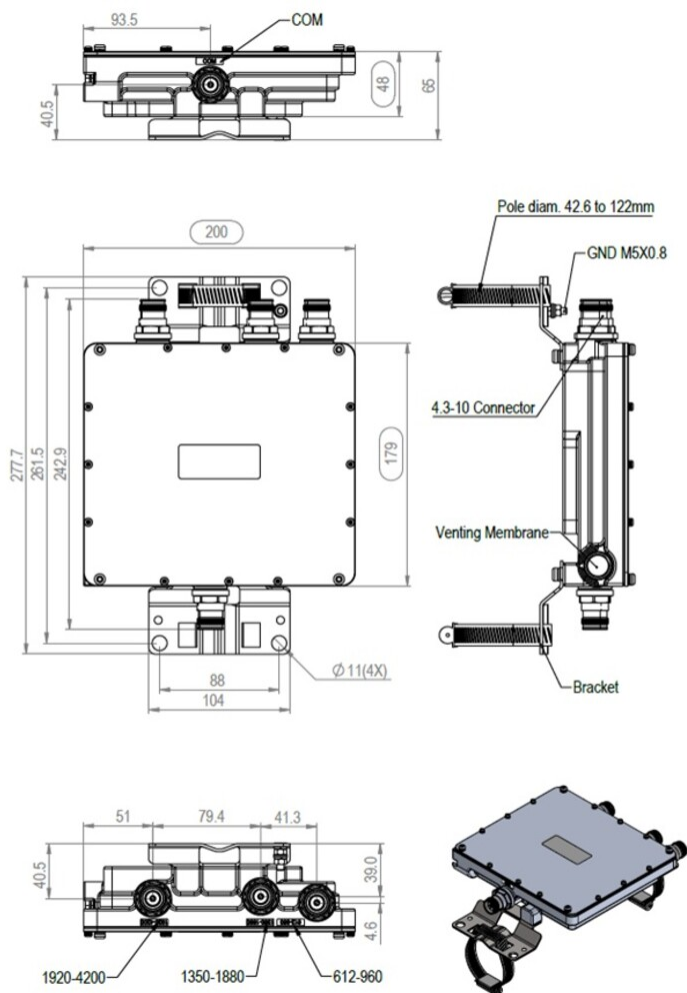
**Width** 48 mm | 1.89 in

**Depth** 200 mm | 7.874 in

**Mounting Pipe Diameter Range** 43–122 mm

## Outline Drawing

# E14F10P95



## Electrical Specifications

<b>Impedance</b>	50 ohm
<b>License Band, Band Pass</b>	APT 700   CEL 850   CEL 900   DCS 1800   EDD 800   IMT 2100   IMT 2600   LMR 800   LMR 900   PCS 1900   PDC 1500   SDL 1400   TDD 3500

## Electrical Specifications, dc Power/Alarm

<b>dc/AISG Pass-through, combiner</b>	Branch 1
<b>dc/AISG Pass-through, demultiplexer</b>	Branch 1
<b>Lightning Surge Current</b>	5 kA
<b>Lightning Surge Current Waveform</b>	8/20 waveform

## Electrical Specifications

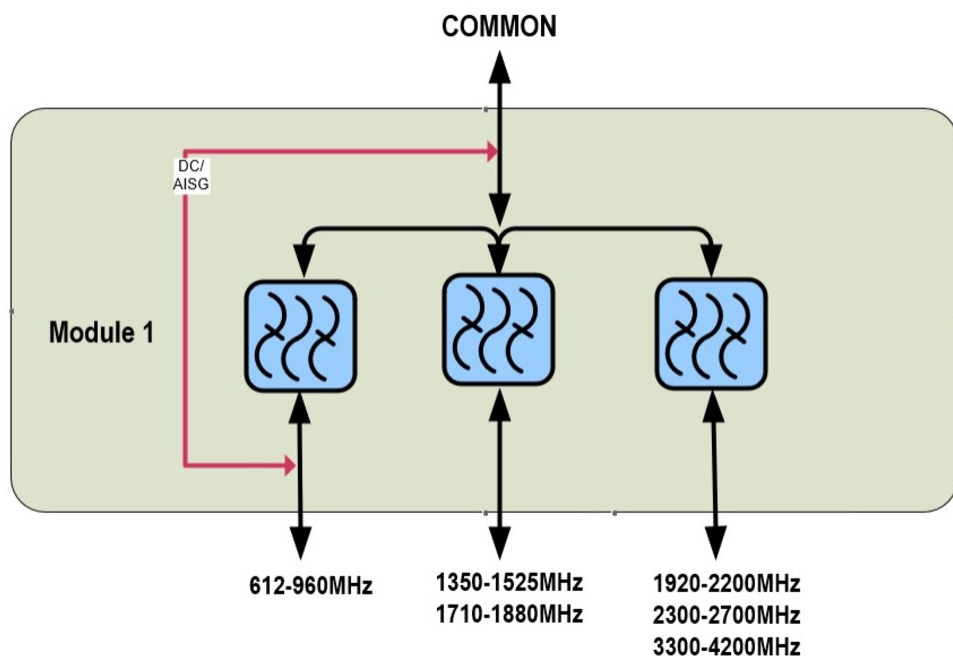
# E14F10P95

<b>Sub-module</b>	<b>1</b>	<b>1</b>	<b>1</b>
<b>Branch</b>	1	2	3
<b>Port Designation</b>	612-960	1350-1525 & 1710-1880	1920-2200 & 2300-2700 & 3300-4200
<b>License Band</b>	APT 700, Band Pass LMR 800, Band Pass LMR 900, Band Pass CEL 850, Band Pass CEL 900, Band Pass EDD 800, Band Pass	PDC 1500, Band Pass DCS 1800, Band Pass	TDD 2300, Band Pass TDD 2600, Band Pass TDD 3500, Band Pass IMT 2100, Band Pass

## Electrical Specifications, Band Pass

<b>Frequency Range, MHz</b>	<b>612-960</b>	<b>1325-1525 1710-1880</b>	<b>1920-2200 2300-2700 3300-4200</b>
<b>Insertion Loss, typical, dB</b>	0.15	0.3	0.4
<b>Return Loss, typical, dB</b>	20	20	20
<b>Isolation, minimum, dB</b>	35	40	35
<b>Input Power, RMS, maximum, W</b>	100	100	100
<b>Input Power, PEP, maximum, W</b>	1000	1000	1000
<b>3rd Order PIM, typical, dBc</b>	-163	-163	-160
<b>3rd Order PIM Test Method</b>	Two +43 dBm carriers	Two +43 dBm carriers	Two +43 dBm carriers

## Block Diagram



# E14F10P95

---

## Environmental Specifications

<b>Operating Temperature</b>	-40 °C to +65 °C (-40 °F to +149 °F)
<b>Relative Humidity</b>	Up to 100%
<b>Corrosion Test Method</b>	IEC 60068-2-11, 30 days
<b>Ingress Protection Test Method</b>	IEC 60529:2001, IP67

## Packaging and Weights

<b>Included</b>	Mounting hardware
<b>Volume</b>	1.75 L
<b>Weight, net</b>	2.4 kg   5.291 lb

## Regulatory Compliance/Certifications

<b>Agency</b>	<b>Classification</b>
ISO 9001:2015	Designed, manufactured and/or distributed under this quality management system