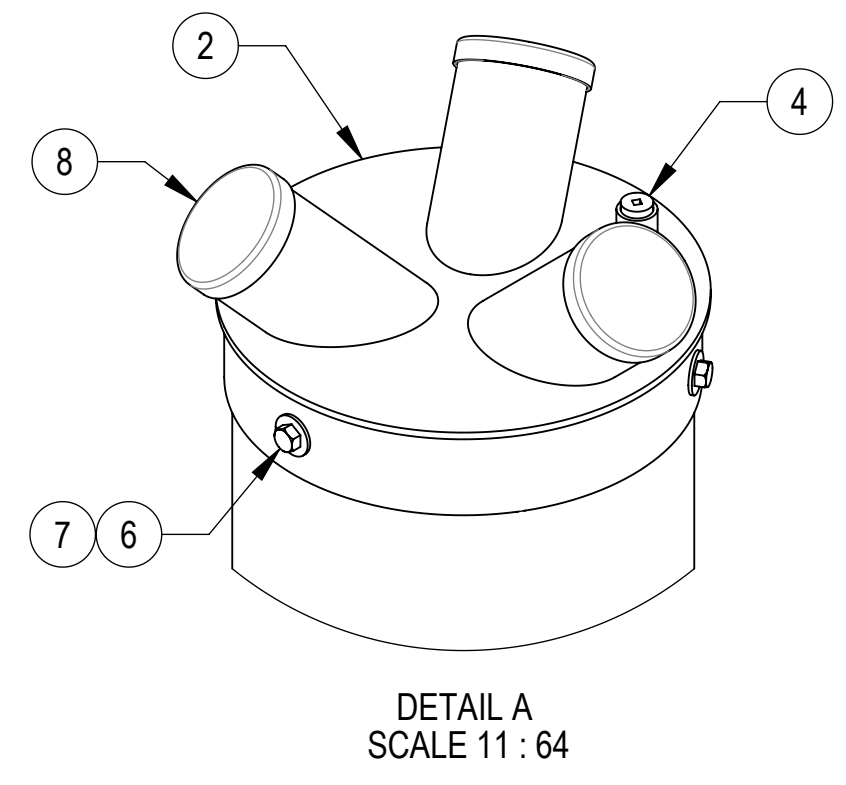
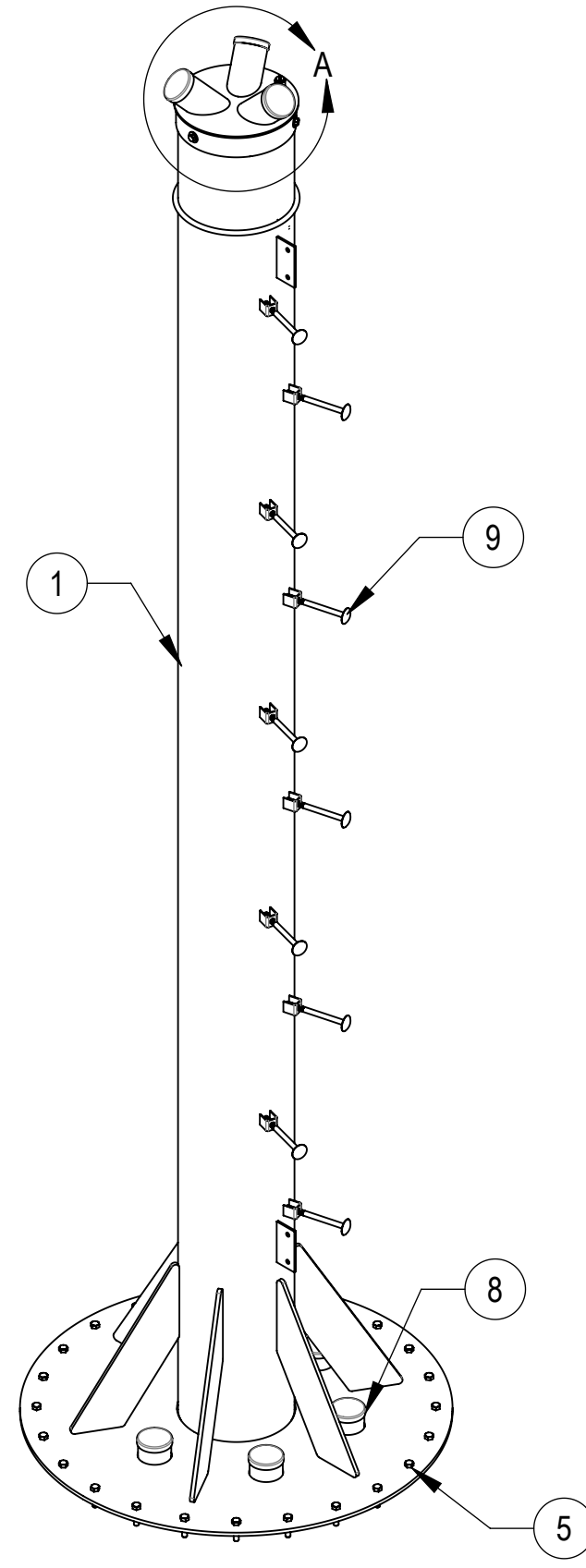
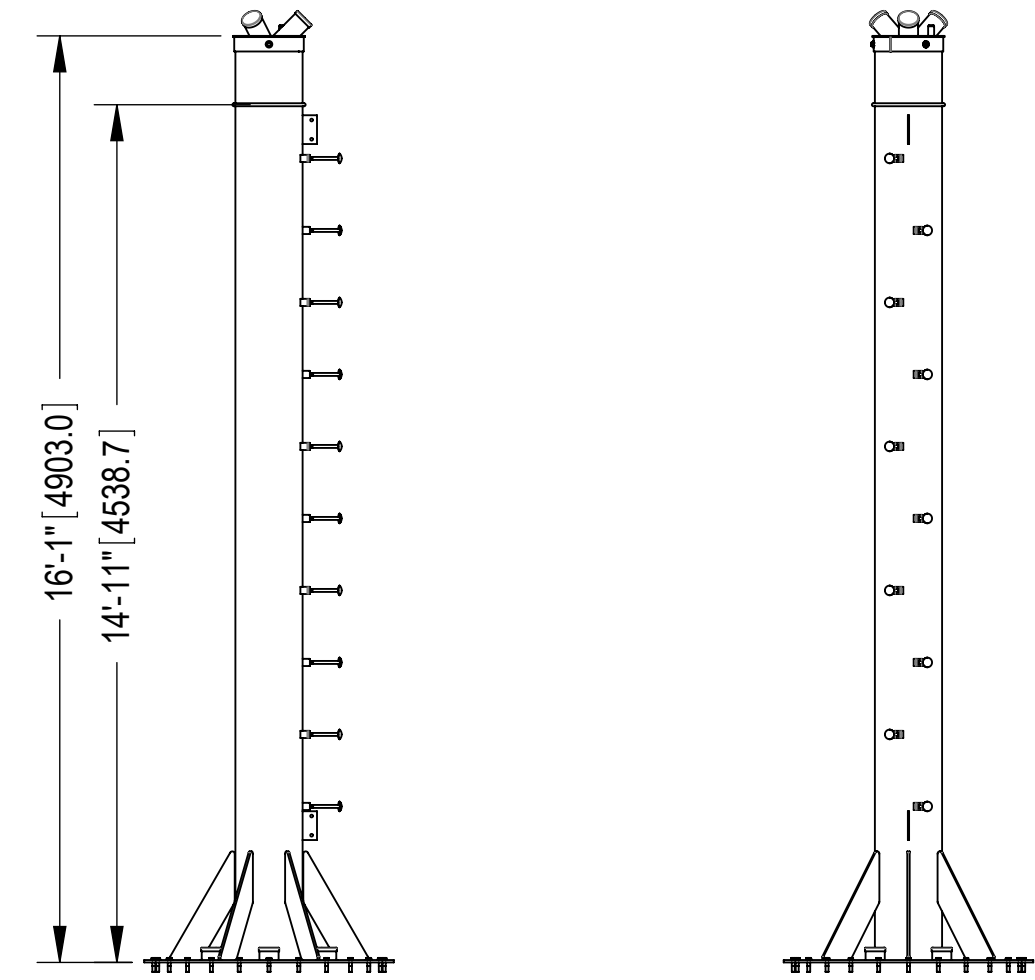
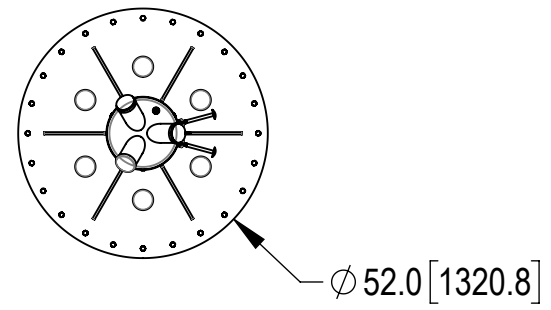


- 1.0 GENERAL NOTES
 - 1.1 ALL METRIC DIMENSIONS ARE IN BRACKETS [X. X]
 - 1.2 FOR PATENT INFO: <https://www.cs-pat.com>
- 2.0 DESIGN NOTES
 - 2.1 ANY HAZARDS OR OBSTRUCTIONS TO THE CLIMBING FACILITY AND SAFETY CLIMB MUST BE IDENTIFIED PRIOR TO INSTALLING THE APPURTENANCE. ADDITIONAL PRODUCTS MAY BE REQUIRED TO MAINTAIN THE INTEGRITY OF THE SAFETY CLIMB. DURING INSTALLATION, TEMPORARY AND/OR PERMANENT PRECAUTIONARY MEASURES SHOULD BE TAKEN TO PRESERVE THE CLIMBING FACILITY AND/OR SAFETY CLIMB.
- 3.0 MANUFACTURING/SPECIAL REQUIREMENTS
 - 3.1 TIGHTEN ALL BOLTS SECURING FLAT PLATES BY THE TURN-OF-NUT METHOD.
 - 3.2 WTMMP19 NOT SHOWN BUT INCLUDED.
- 4.0 TEST
- 5.0 PACKAGING
 - 5.1 PACKAGING SHALL MEET COMMSCOPE REQUIREMENTS PER DOCUMENT IS-PL-3005
 - 5.2 PRINTED DOCUMENT TO BE PLACED INSIDE POLYBAG AND THEN IN SHIPPING CONTAINER
 - 5.3 EXTRA HARDWARE MAYBE SUPPLIED, BAGGED AND SHIPPED

REVISIONS			
REV.	DESCRIPTION	DATE	APPROVED
E	UPDATE WTMMP.01, ADD FLAT WASHERS & REPLACE WTMMP.02	ACG 05DEC08	
F	EPCAP4.01 WAS EPCAP4B.01	DRR 01MAR11	
G	UPDATED DRAWING FORMAT/ UPDATED NOTES; CAP-4 (ITEM 8) WAS EPCAP4.01;	HDAI 30AUG23	BA1025 40177316CMO



COMPONENT PART NUMBERS PROVIDED FOR ASSEMBLY PURPOSES;
INDIVIDUAL COMPONENTS MAY BE SHIPPED AS PARTS WITHIN AN INCLUDED KIT.

ITEM NO.	PART NUMBER	DESCRIPTION	QTY.	WEIGHT	NOTE NO.
1	WTMMP01	MONOPOLE WELDMENT	1	1402.31 LBS	
2	WTMMP22	3 PORT COVER	1	26.15 LBS	
3	WTMMP19	DBI/SALA SAFETY CLIMB KIT	1		3.2
4	WTSPM.38	1" TAPERED PLUG 1" EXTERNAL THREAD	1	0.20 LBS	
5	GB-0524A	5/8" X 2-1/2" GALV BOLT KIT (A325)	24	0.30 LBS	
6	GB-04145	1/2" X 1-1/2" GALV BOLT KIT	3	0.13 LBS	
7	GWF-04	1/2" GALV FLAT WASHER	3	0.04 LBS	
8	CAP-4	FOUR INCH SNAP-IN ENTRY PORT CAP	9	0.00 LBS	
9	MT75001	STEP BOLT	10	0.88 LBS	

DENSITY		lbs/in ³
MASS	1445.99	lbs
VOLUME	5146.05	in ³
SURFACE AREA	24740.78	in ²
HEIGHT	52"	
LENGTH	200"	
WIDTH	52"	

COMMSCOPE, INC. OF NORTH CAROLINA

TOLERANCES		SAP MATERIAL MASTER	
1 PLACE .X[X] ± 0.2[6.3]	3 PLACE .XXX[X] ± 0.060[1.5]	WT-MMP	
2 PLACE .XX[X] ± 0.12[3.0]	ANGLES ± 1°		
FINISH		MATERIAL	
<small>UNLESS OTHERWISE SPECIFIED DIMENSIONS ARE IN INCHES INTERPRET PER ANSI Y 14.5M-1994</small>		NAME	DATE
		CE ACG	12DEC06
		RW HDAI	09/06/2023
		AD YMENG	09/07/2023
		RE YMENG	09/19/2023
ECN 40177316CMO		TITLE	
		16' MINI MONOPOLE	
SCALE		DOCUMENT NO.	
1:2		WT-MMP	
SIZE	Auth Group	INSL	MODEL
C			
VERSION		DRAWING	
01	RE	G	01
STATUS		REVISION	
RE	G	RE	G
			SHEET
			1 OF 1