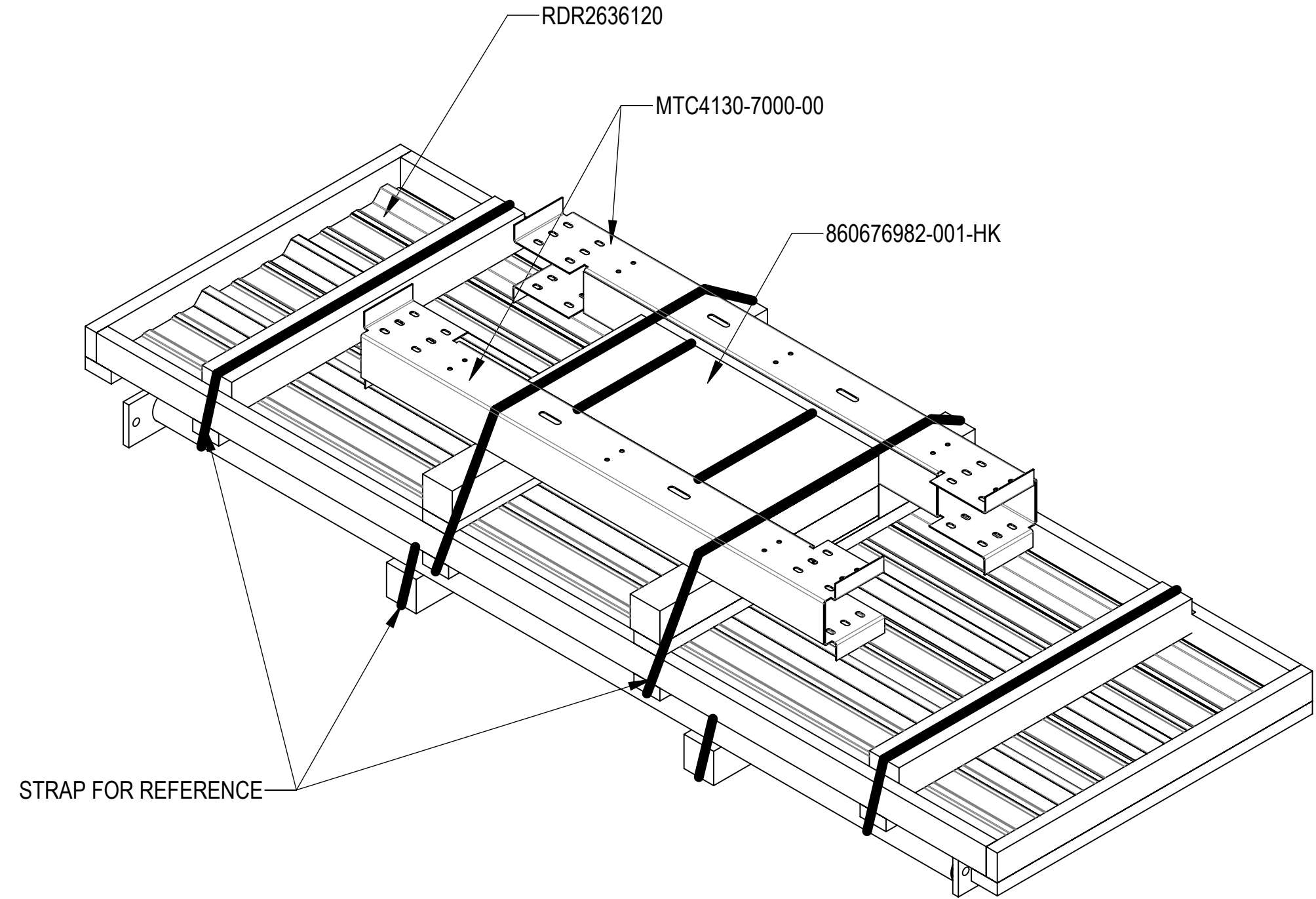
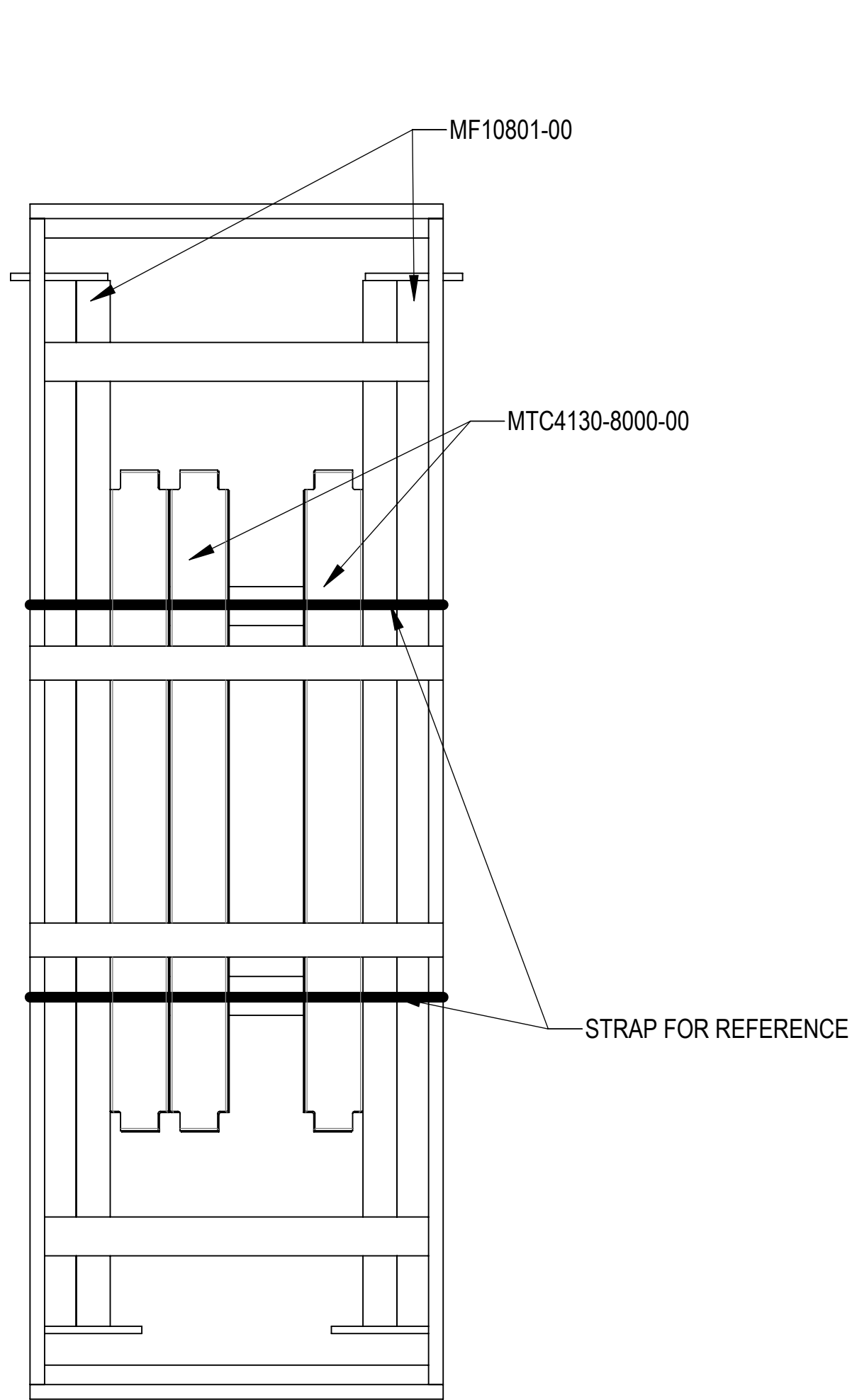


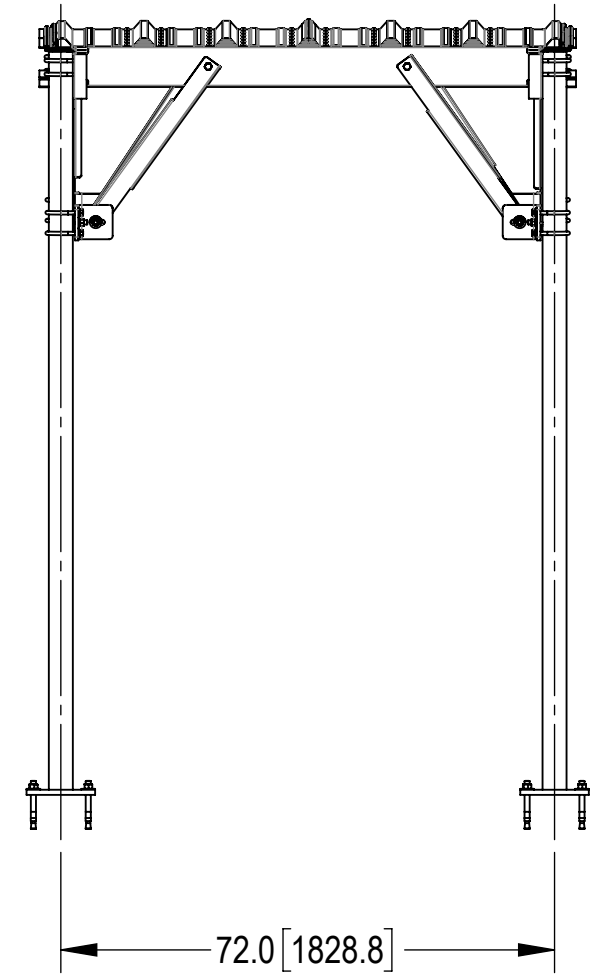
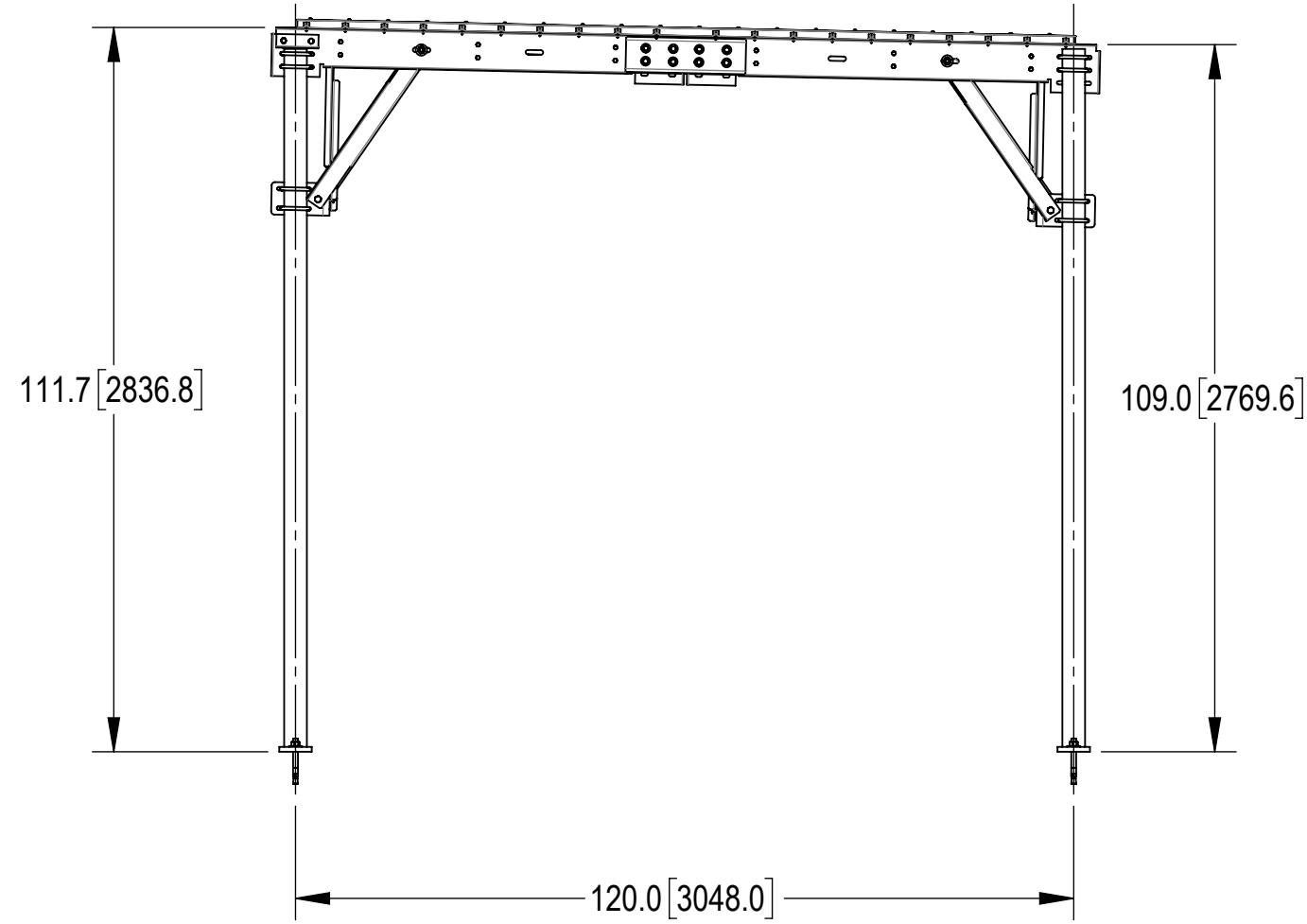
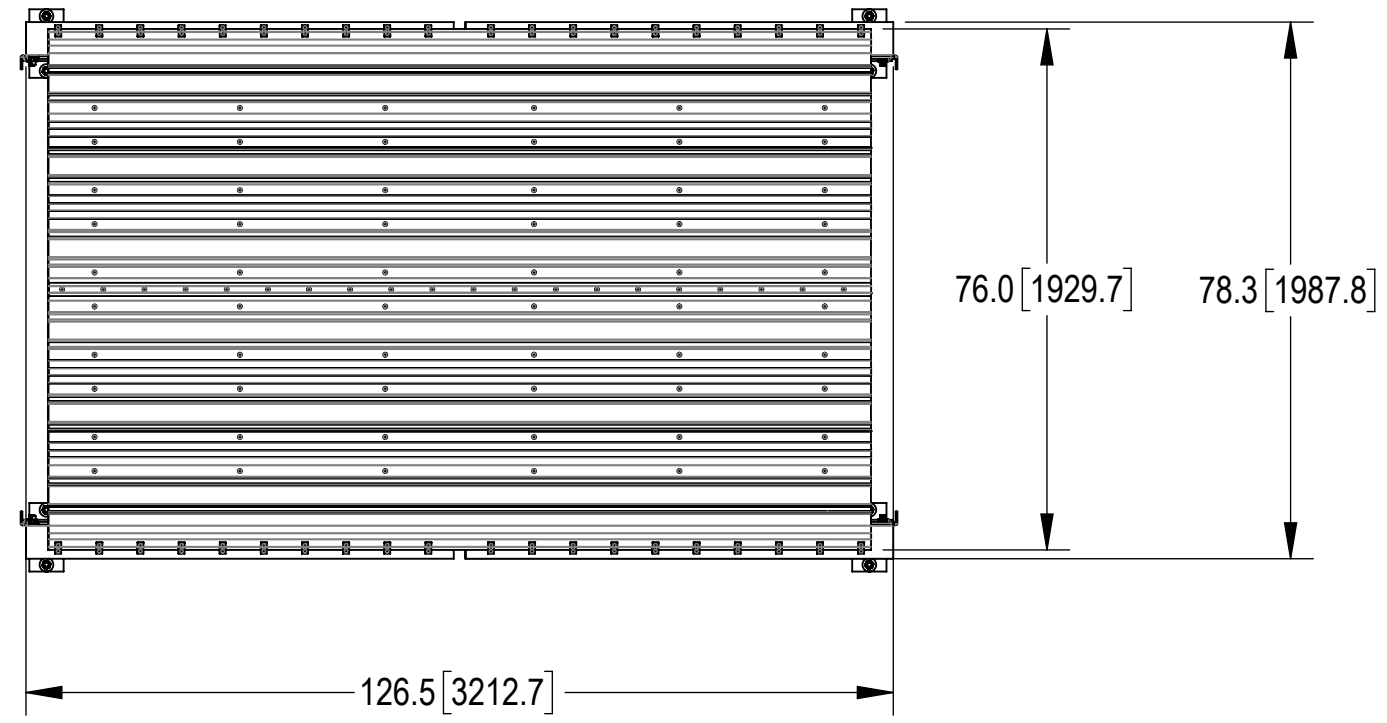
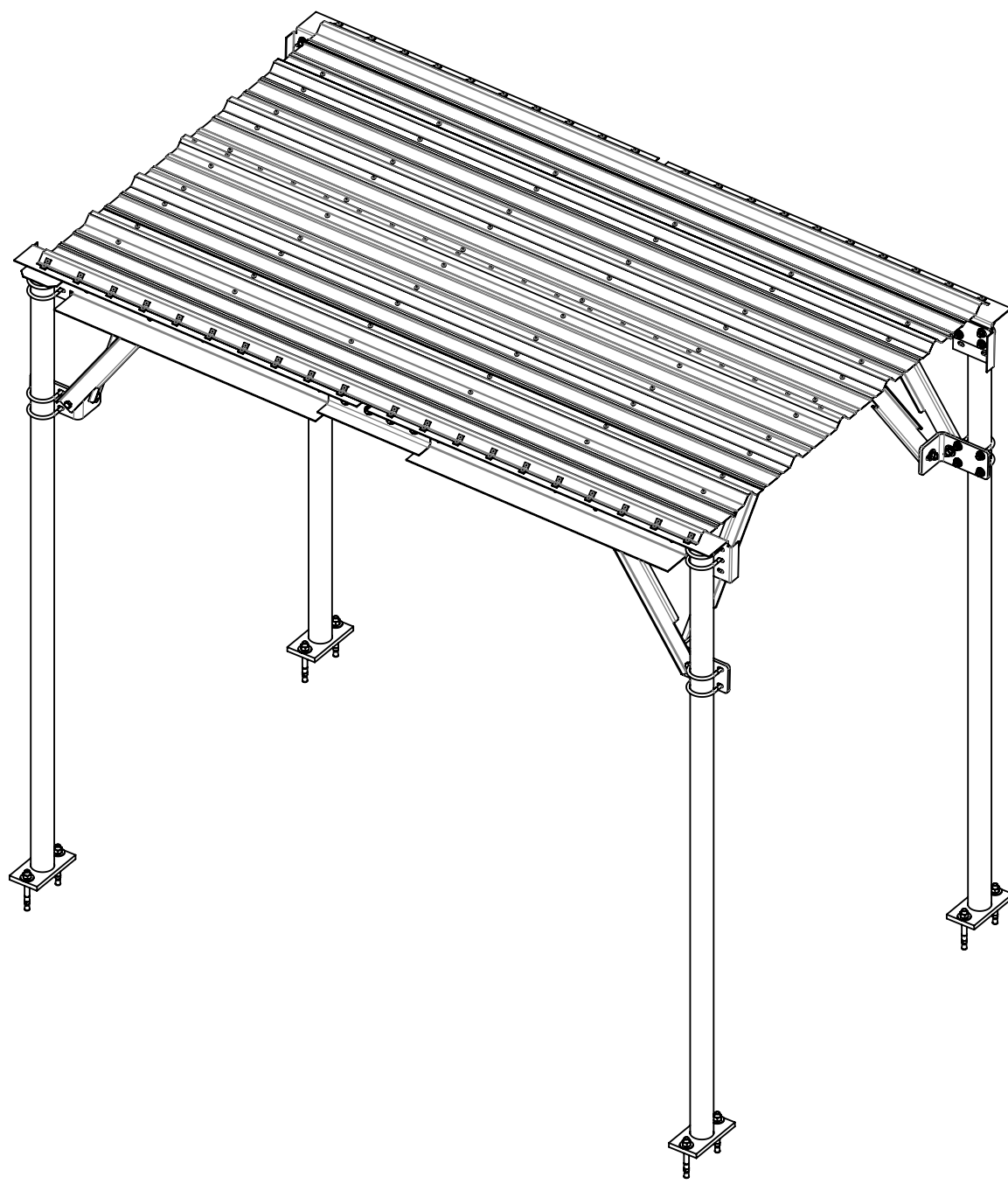
- 1.0 GENERAL NOTES  
 1.1 ALL METRIC DIMENSIONS ARE IN BRACKETS [X. X]  
 1.2 FOR PATENT INFO: <https://www.cs-pat.com>  
 2.0 DESIGN NOTES  
 2.1 ANY HAZARDS OR OBSTRUCTIONS TO THE CLIMBING FACILITY AND SAFETY CLIMB MUST BE IDENTIFIED PRIOR TO INSTALLING THE APPURTENANCE. ADDITIONAL PRODUCTS MAY BE REQUIRED TO MAINTAIN THE INTEGRITY OF THE SAFETY CLIMB. DURING INSTALLATION, TEMPORARY AND/OR PERMANENT PRECAUTIONARY MEASURES SHOULD BE TAKEN TO PRESERVE THE CLIMBING FACILITY AND/OR SAFETY CLIMB.  
 3.0 MANUFACTURING/SPECIAL REQUIREMENTS  
 3.1 TIGHTEN ALL BOLTS SECURING FLAT PLATES BY THE TURN-OF-NUT METHOD. TIGHTEN ALL U-BOLTS USING TURN-OF-NUT METHOD WITH ATTENTION TO LEAVE EQUAL DISTANCE AND EQUAL FORCE ON EACH LEG OF THE U-BOLT.  
 3.2 THE VERTICAL POSTS CAN BE FIELD TRIMMED AS NEEDED AND ALL CUTS ARE TO BE TREATED WITH COLD GALVANIZING COMPOUND.  
 4.0 TEST  
 5.0 PACKAGING  
 5.1 PACKAGING SHALL MEET COMMSCOPE REQUIREMENTS PER DOCUMENT IS-PL-3005  
 5.2 PRINTED DOCUMENT TO BE PLACED INSIDE POLYBAG AND THEN IN SHIPPING CONTAINER  
 5.3 EXTRA HARDWARE MAY BE SUPPLIED, BAGGED AND SHIPPED

REVISIONS			
REV.	DESCRIPTION	DATE	APPROVED
A	INITIAL RELEASE	JL1183 12DEC23	YW1047 40185078CMO



<b>COMMSCOPE, INC. OF NORTH CAROLINA</b>									
TOLERANCES					SAP MATERIAL MASTER				
1 PLACE .X ± 0.2[6.3]		3 PLACE .XXX ± 0.060[1.5]			<b>860676982-001</b>				
2 PLACE .XX ± 0.12[3.0]		ANGLES ± 2°							
FINISH					MATERIAL				
UNLESS OTHERWISE SPECIFIED DIMENSIONS ARE IN INCHES INTERPRET PER ANSI Y 14.5M-1994	NAME	DATE	TITLE						
	CE JL1183	12DEC23	<b>CUST-CANOPY,RAIN,6'X10'W/BS</b>						
	RW JL1183	12/25/2023							
	AD YW1047	01/02/2024							
	RE JL1183	01/03/2024							
ECN 40185078CMO									
SCALE	DOCUMENT NO.								
<b>1:20</b>	<b>860676982-001</b>								
SIZE	Auth Group	INSL	MODEL			DRAWING			
<b>C</b>			VERSION	STATUS	REVISION	VERSION	STATUS	REVISION	SHEET
			00	RE	A	00	RE	A	1 OF 5

DENSITY		lbs/in <sup>3</sup>
MASS	721.37	lbs
VOLUME	2540.79	in <sup>3</sup>
SURFACE AREA	51799.45	in <sup>2</sup>
HEIGHT	118.0"	
LENGTH	126.5"	
WIDTH	82.0"	

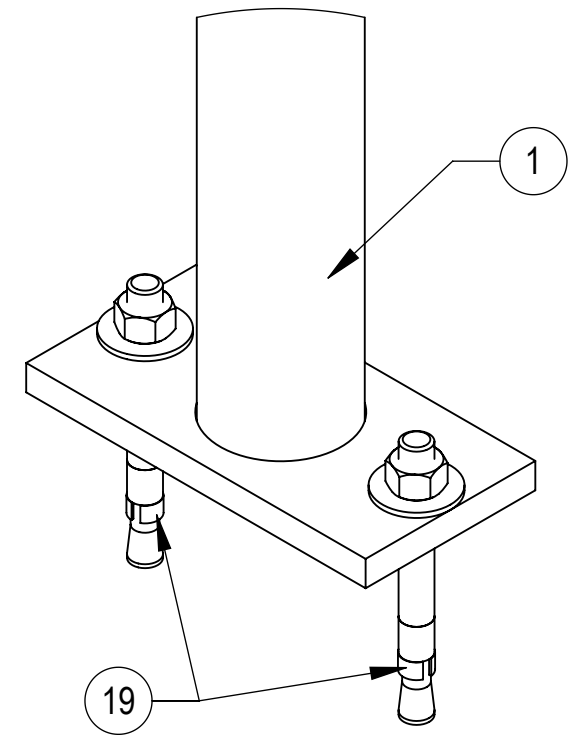
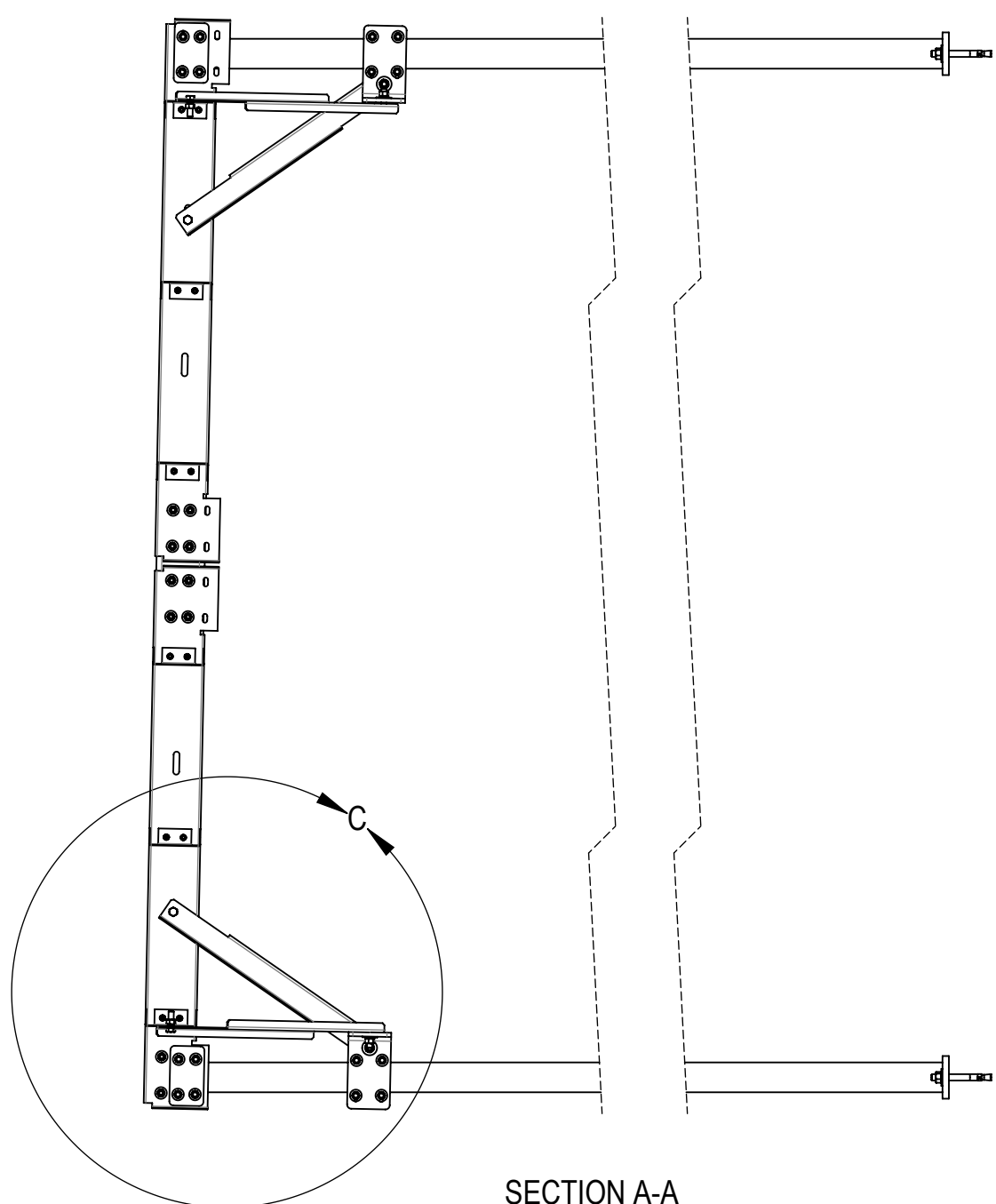
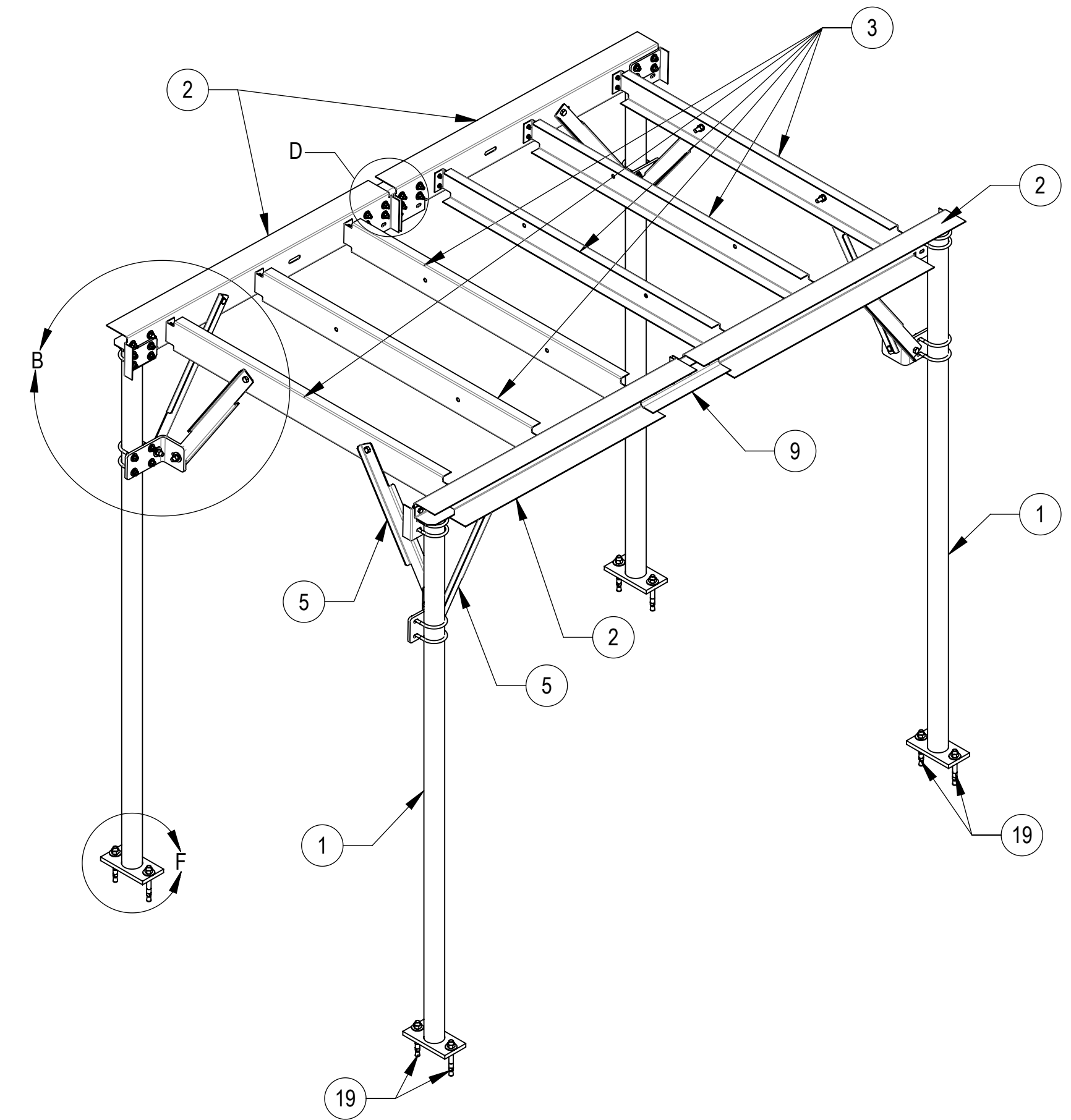
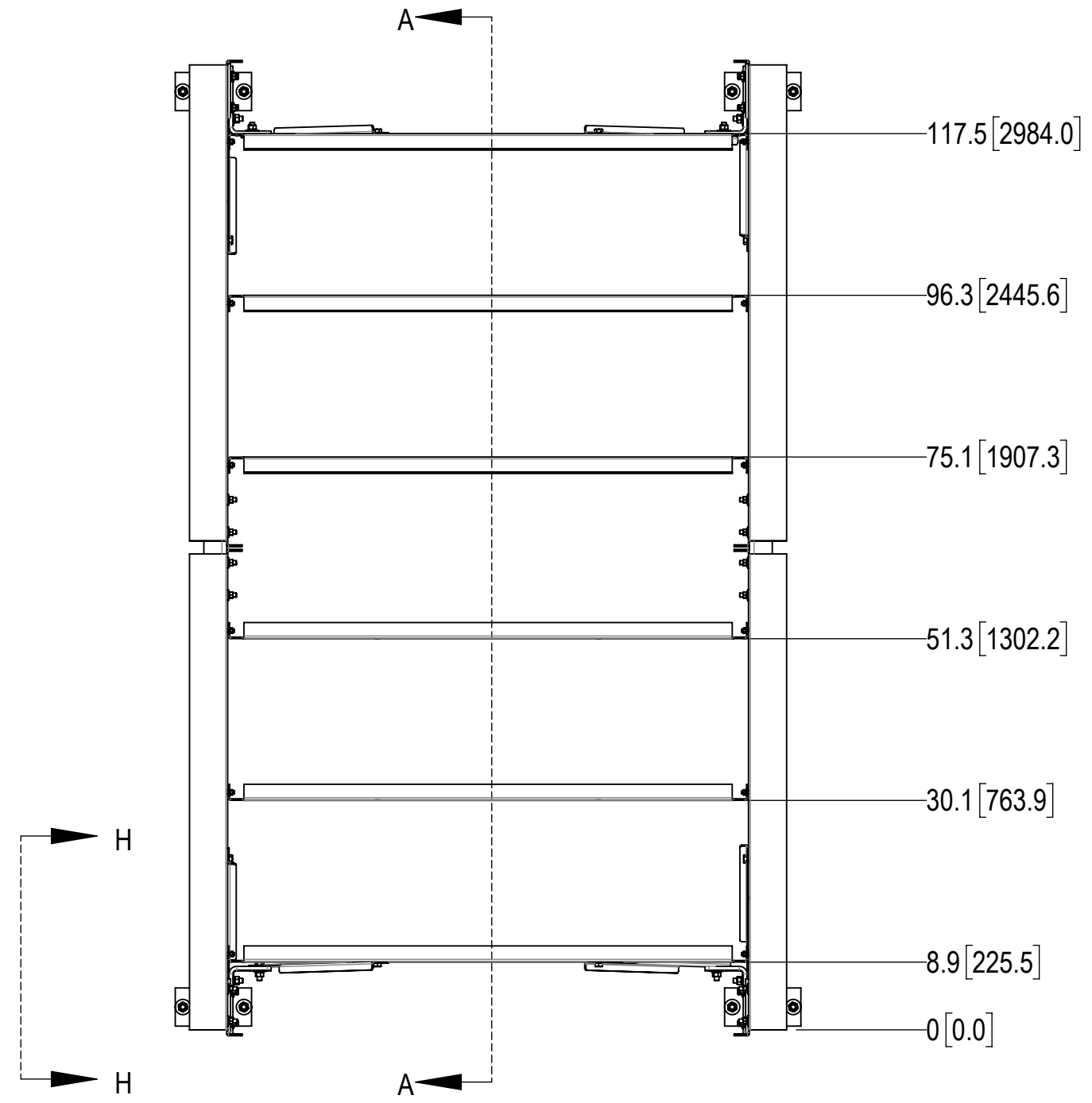


COMPONENT PART NUMBERS PROVIDED FOR ASSEMBLY PURPOSES;  
INDIVIDUAL COMPONENTS MAY BE SHIPPED AS PARTS WITHIN AN INCLUDED KIT.

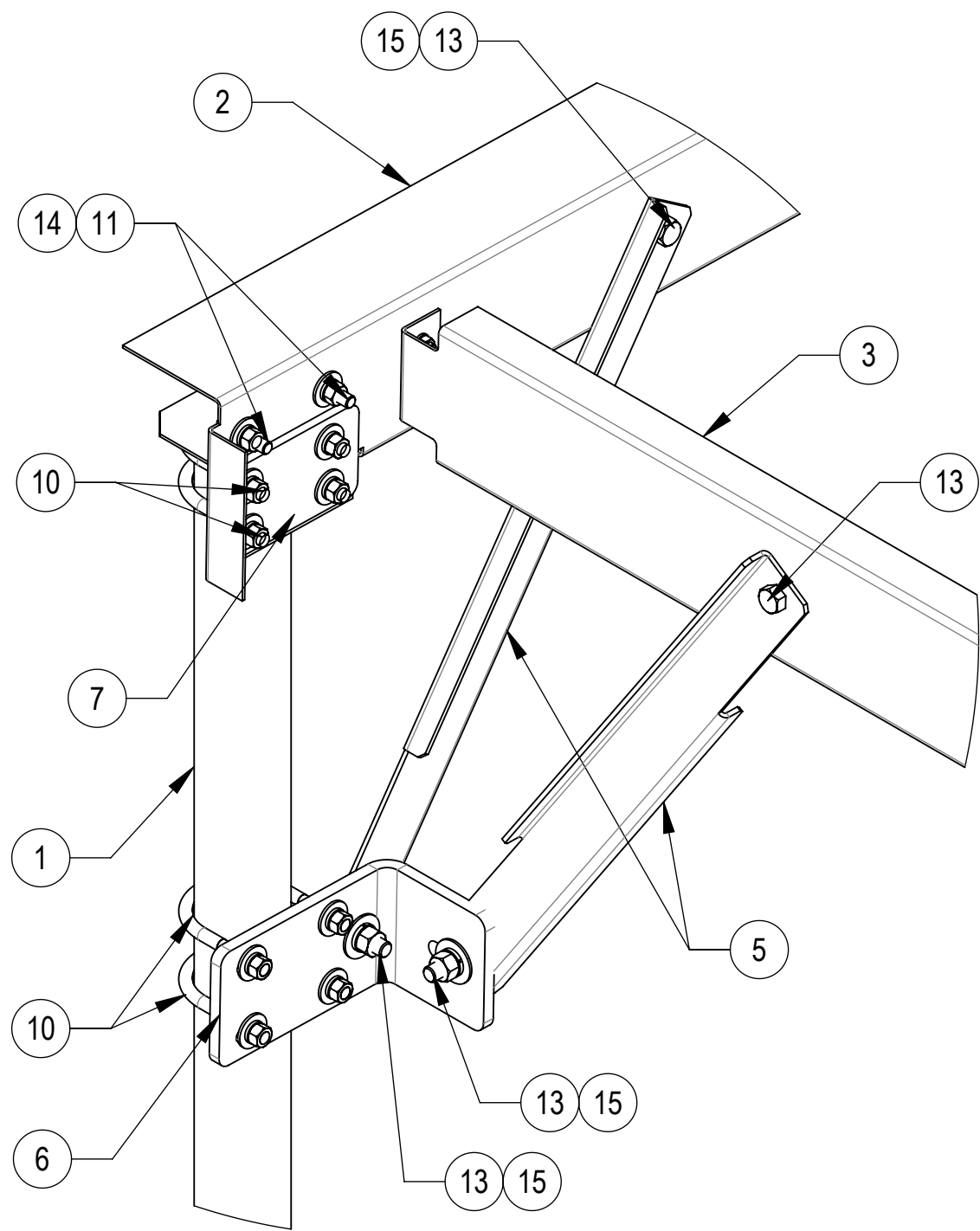
ITEM NO.	PART NUMBER	DESCRIPTION	QTY.	WEIGHT	NOTE NO.
1	MF10801-00	BASE SHOE WELDMENT, 108"	4	57.97 LBS	
2	MTC4130-7000-00	OUTER CHANNEL, ROOF SUPPORT	4	32.10 LBS	
3	MTC4130-8000-00	CANOPY CENTER CHANNEL	6	21.85 LBS	
4	RDR2636120	ROOF DECKING PBR 26 GA 36" X 120"	2	29.65 LBS	
5	MTC4130-3000-00	CANOPY BRACE	8	6.52 LBS	
6	MTC4130-4000-00	CANOPY BRACE ADAPTER	4	9.16 LBS	
7	MTC4130-5000-00	PLATE, CANOPY RAIN	4	2.76 LBS	
8	MTC4130-6000-00	HEIGHT ADJUSTMENT BRACKET	2	1.26 LBS	
9	MTC4130-9000-00	OUTER CONNECTION CHANNEL	2	6.71 LBS	
10	GUB-4355	1/2" X 3-5/8" X 5" GALV U-BOLT	16	0.71 LBS	
11	GB-04145	1/2" X 1-1/2" GALV BOLT KIT	20	0.13 LBS	
12	GB-03105	3/8" X 1" GALV BOLT KIT	24	0.05 LBS	
13	GB-05205FT	5/8" X 2" GALV BOLT KIT	16	0.26 LBS	
14	GWF-04	1/2" GALV FLAT WASHER	36	0.04 LBS	
15	GWF-05	5/8" GALV FLAT WASHER, 1.70D	12	0.06 LBS	
16	MTC3799C26	CLIP, RDR PANEL	40	0.05 LBS	
17	MTC371531	1/4-14X7/8 SELF DRILLING HEX HEAD SCREW	60	0.02 LBS	
18	TS1275	TEK SCREW #12 X 3/4, WITH NEOPRENE WASHER	100	0.02 LBS	
19	MT-287	3/4" ANCHOR BOLT	8	1.08 LBS	

COMMSCOPE, INC. OF NORTH CAROLINA				
TITLE CUST-CANOPY, RAIN, 6'X10'W/BS				
SIZE C	SCALE 1:32	DOCUMENT NO. 860676982-001		
DRAWING		VERSION	STATUS	REVISION
		00	RE	A
				SHEET 2 OF 5

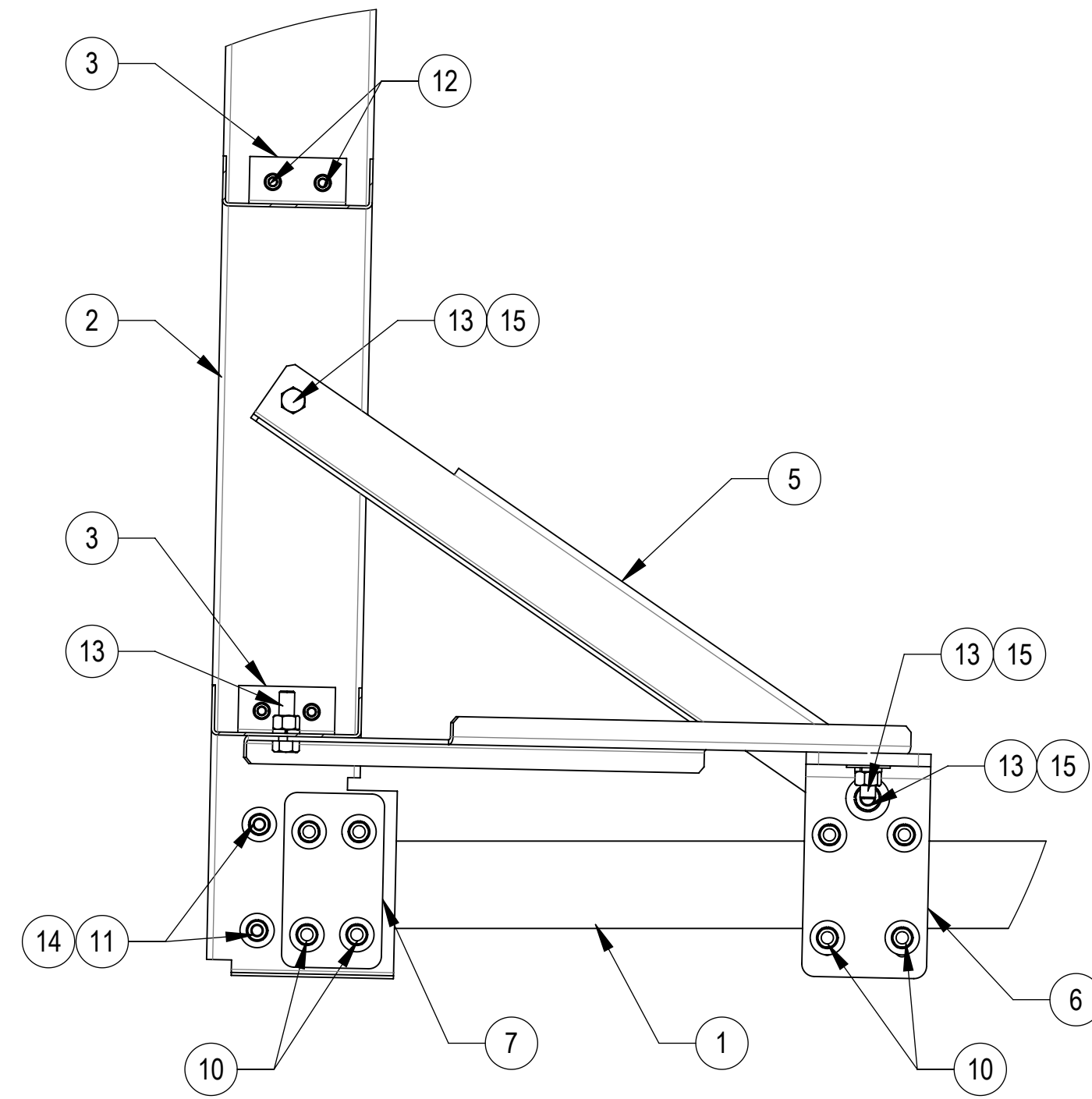
# HIDDEN ROOF DECKING FOR CLARITY



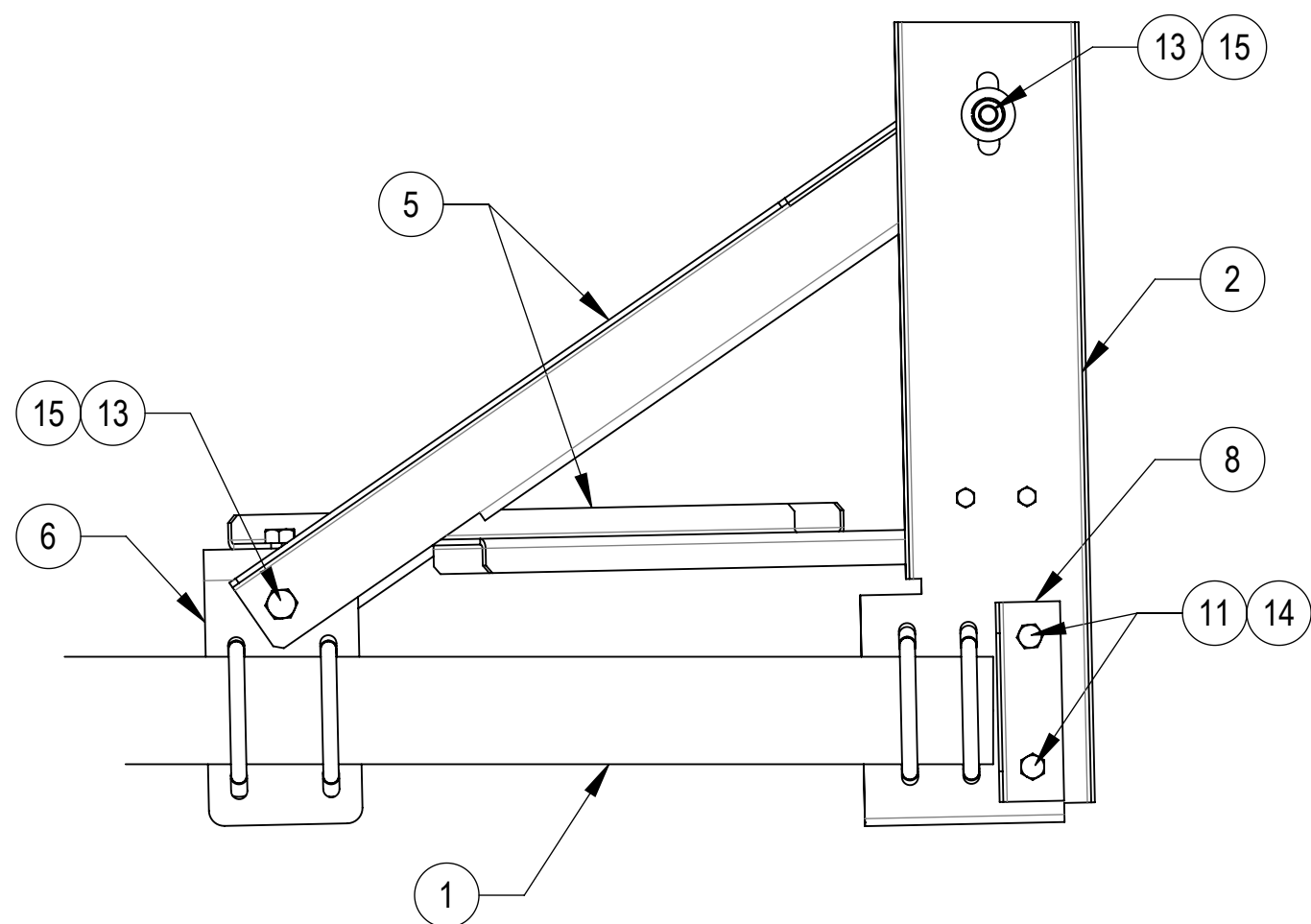
COMMSCOPE, INC. OF NORTH CAROLINA				
TITLE CUST-CANOPY,RAIN,6'X10'W/BS				
SIZE C	SCALE 1:20	DOCUMENT NO. 860676982-001		
		DRAWING		SHEET
		VERSION	STATUS	REVISION
		00	RE	A
				3 OF 5



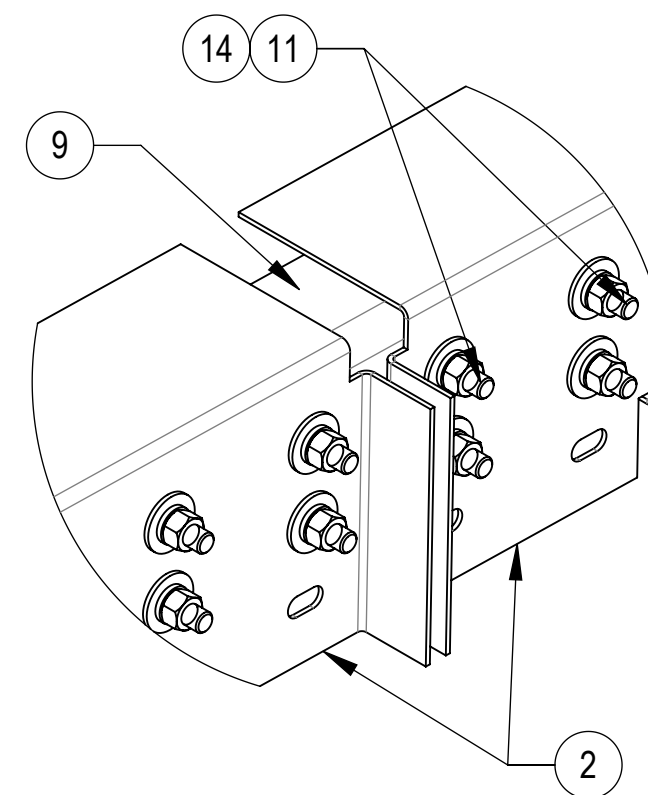
DETAIL B  
SCALE 1 : 6



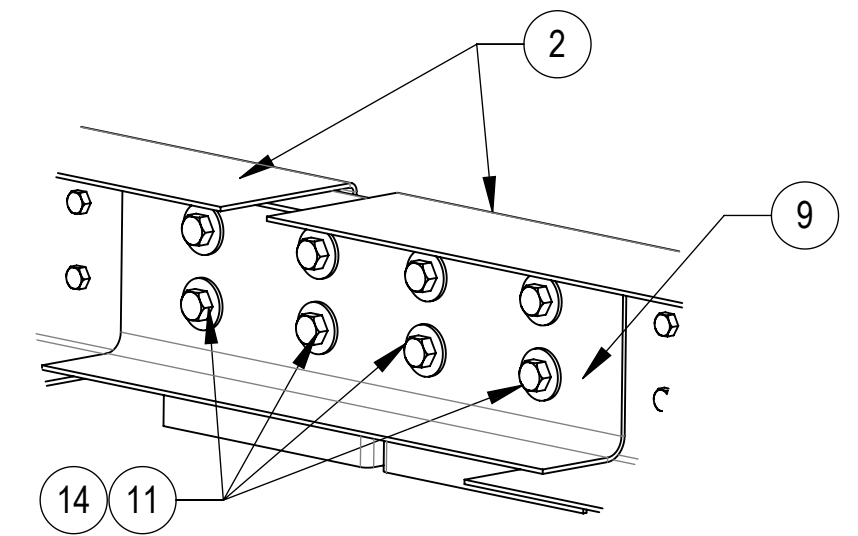
DETAIL C  
SCALE 1 : 6



SECTION H-H  
SCALE 1 : 6



DETAIL D  
SCALE 1 : 4



DETAIL D  
BACK VIEW  
SCALE 1 : 5

COMMScope, INC. OF NORTH CAROLINA				
TITLE CUST-CANOPY,RAIN,6'X10'W/BS				
SIZE C	SCALE 1:20	DOCUMENT NO. 860676982-001		
		DRAWING		SHEET
		VERSION	STATUS	REVISION
		00	RE	A
				4 OF 5

4

3

2

1

D

D

C

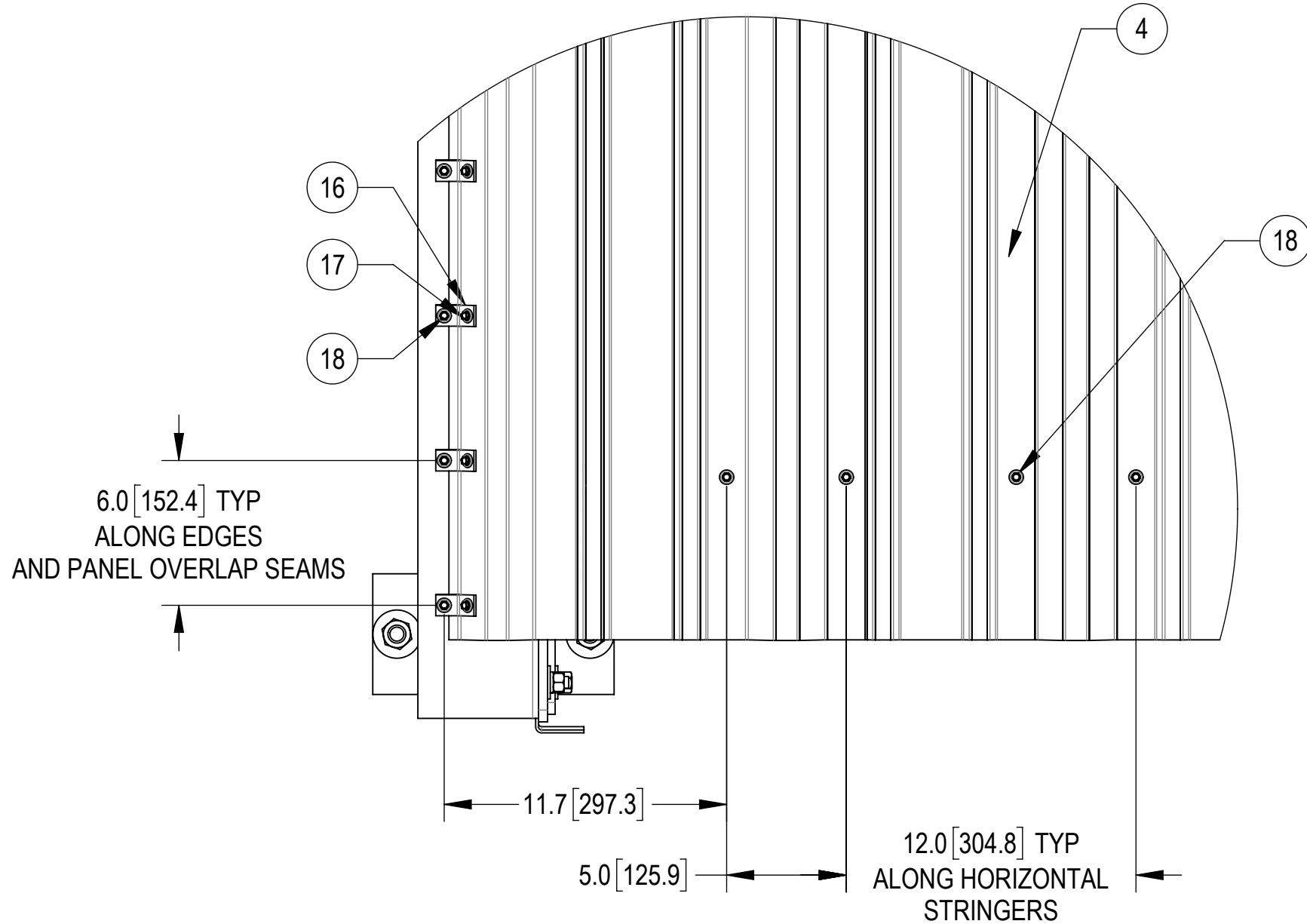
C

B

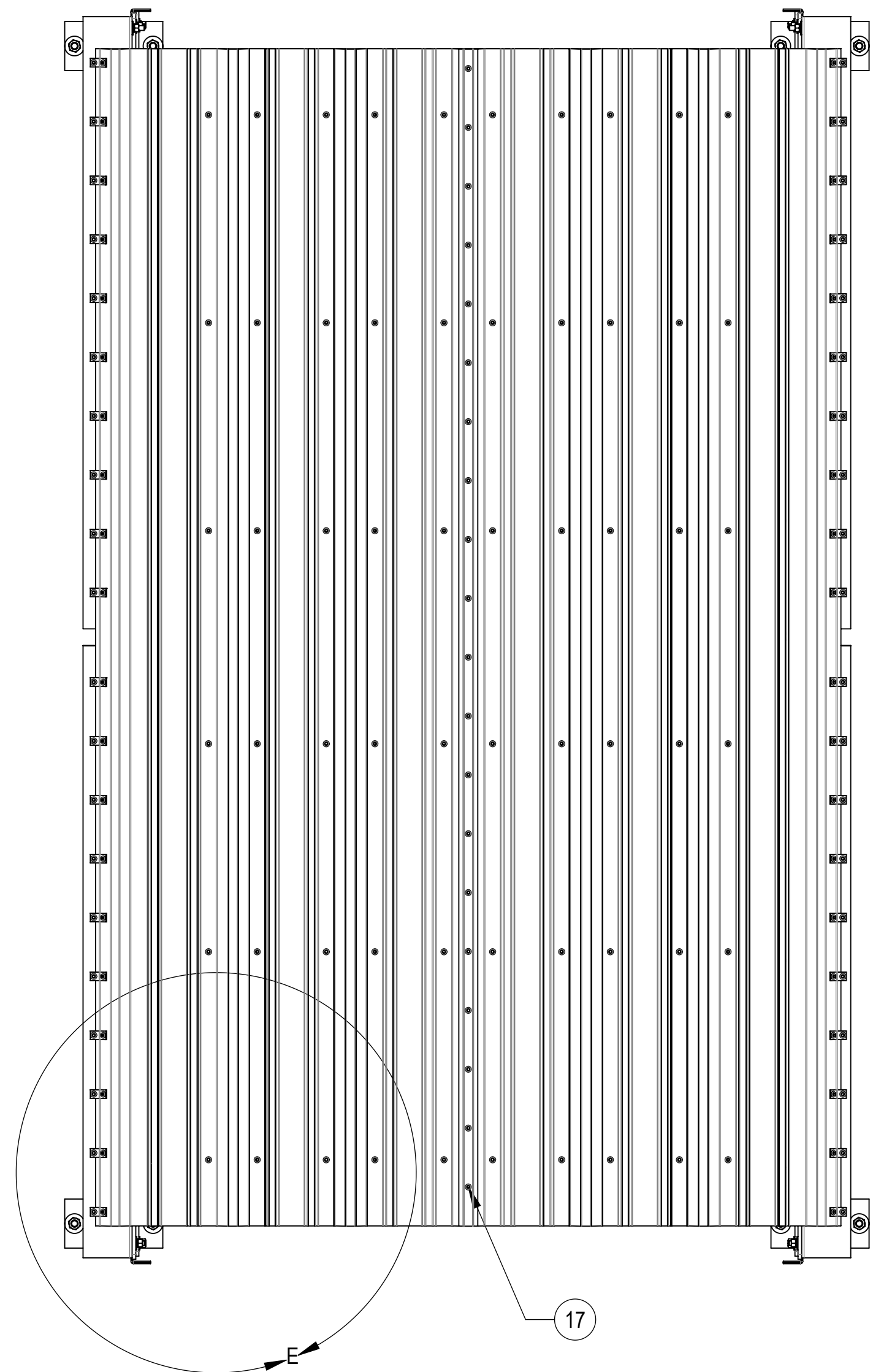
B

A

A



DETAIL E  
SCALE 1 : 6



COMMSCOPE, INC. OF NORTH CAROLINA				
TITLE CUST-CANOPY,RAIN,6'X10'W/BS				
SIZE C	SCALE 1:12	DOCUMENT NO. 860676982-001		
		DRAWING		SHEET
		VERSION	STATUS	REVISION
		00	RE	A
				5 OF 5

4

3

2

1

