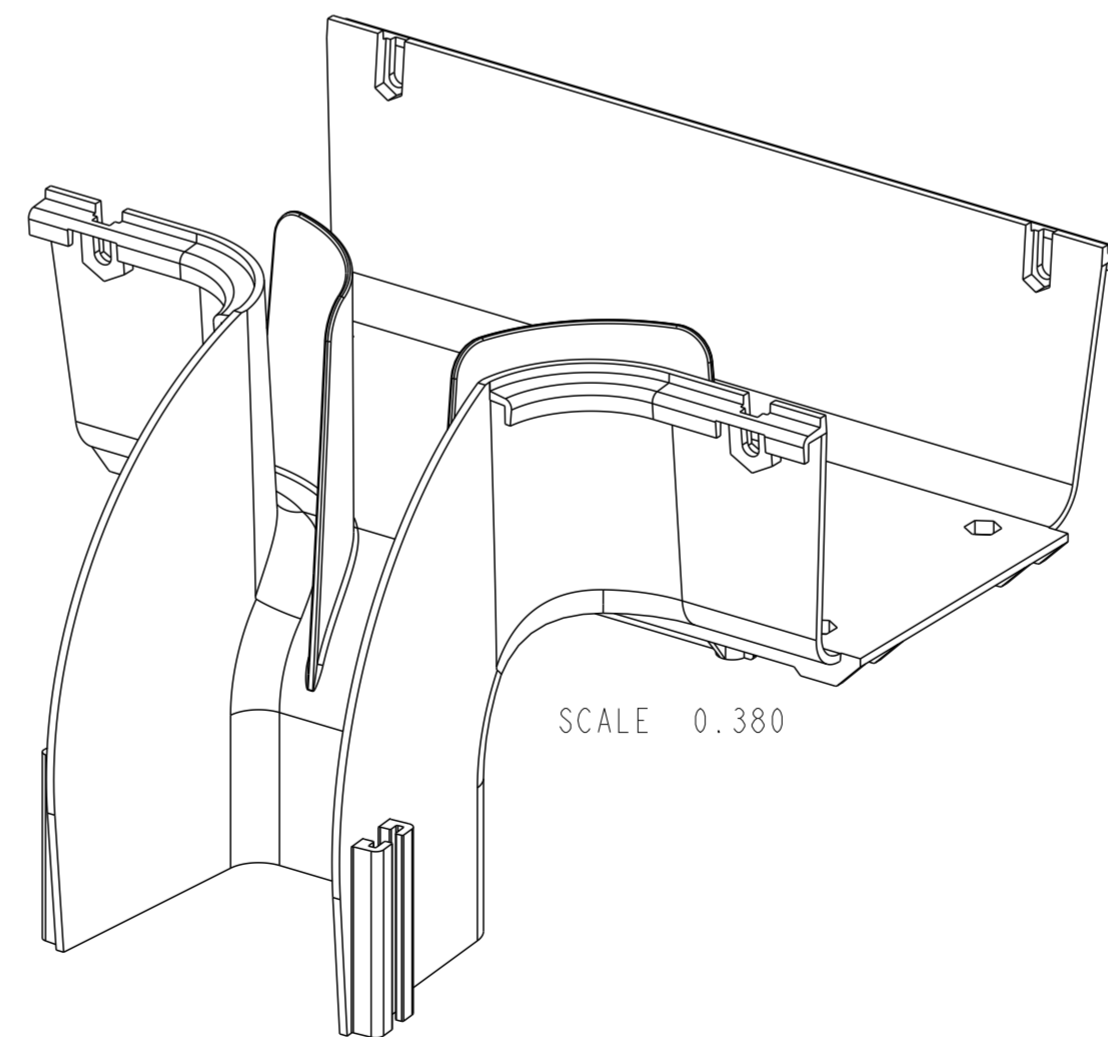
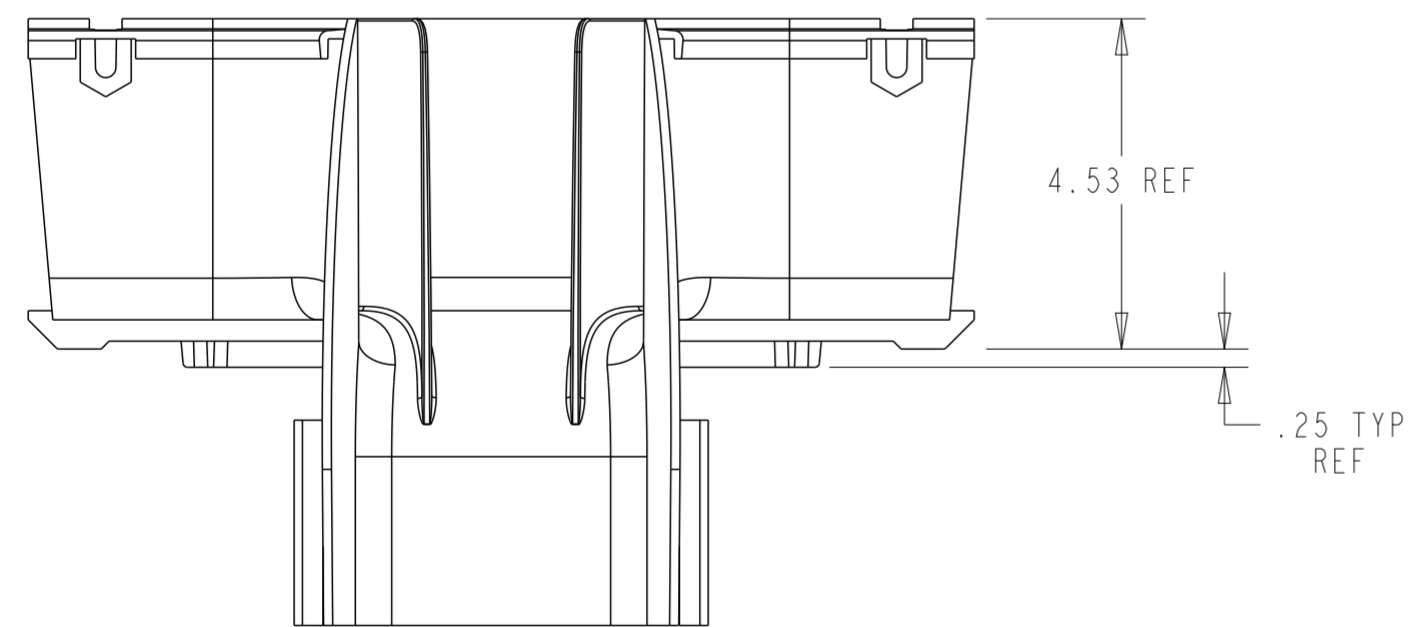
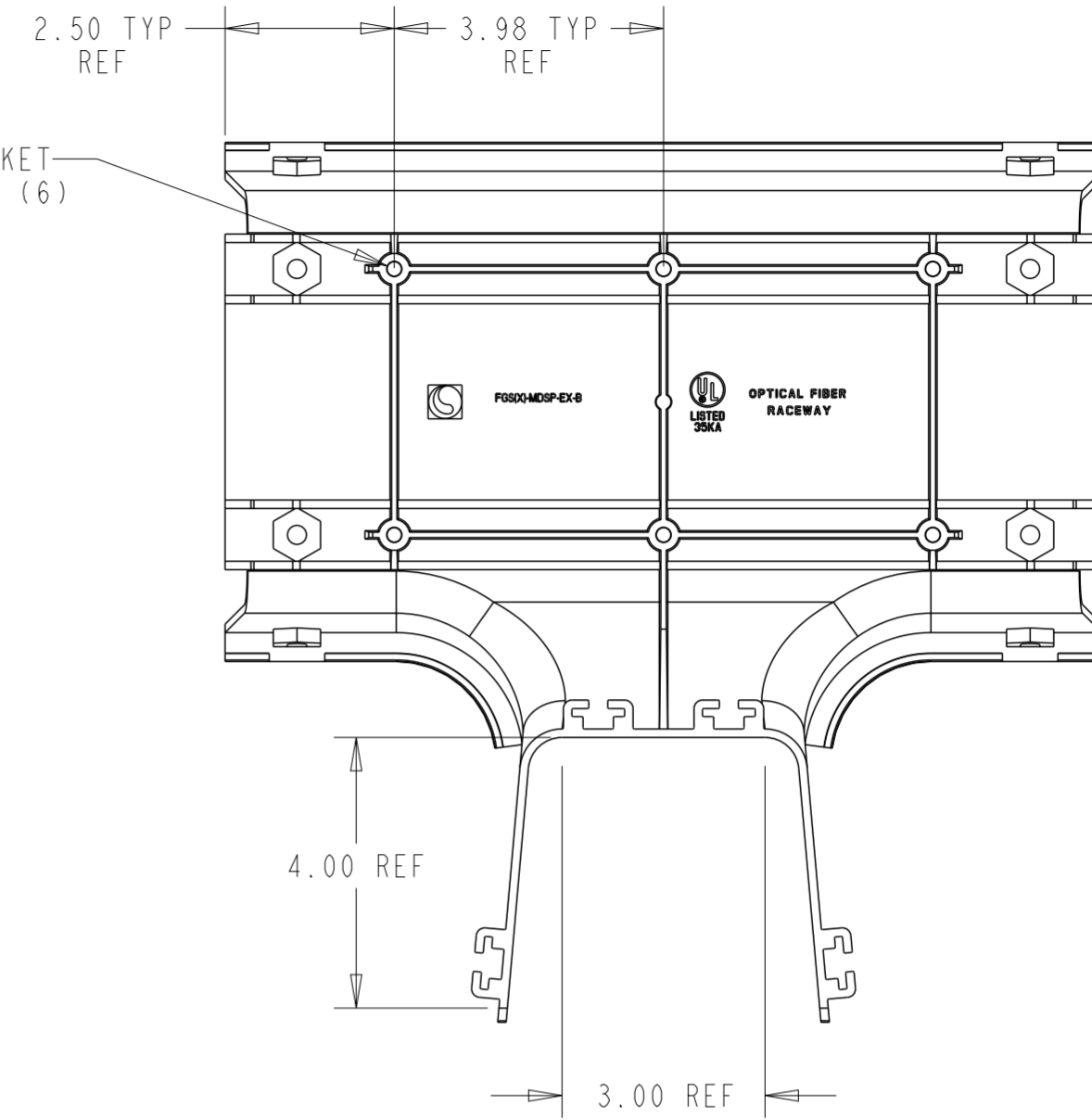
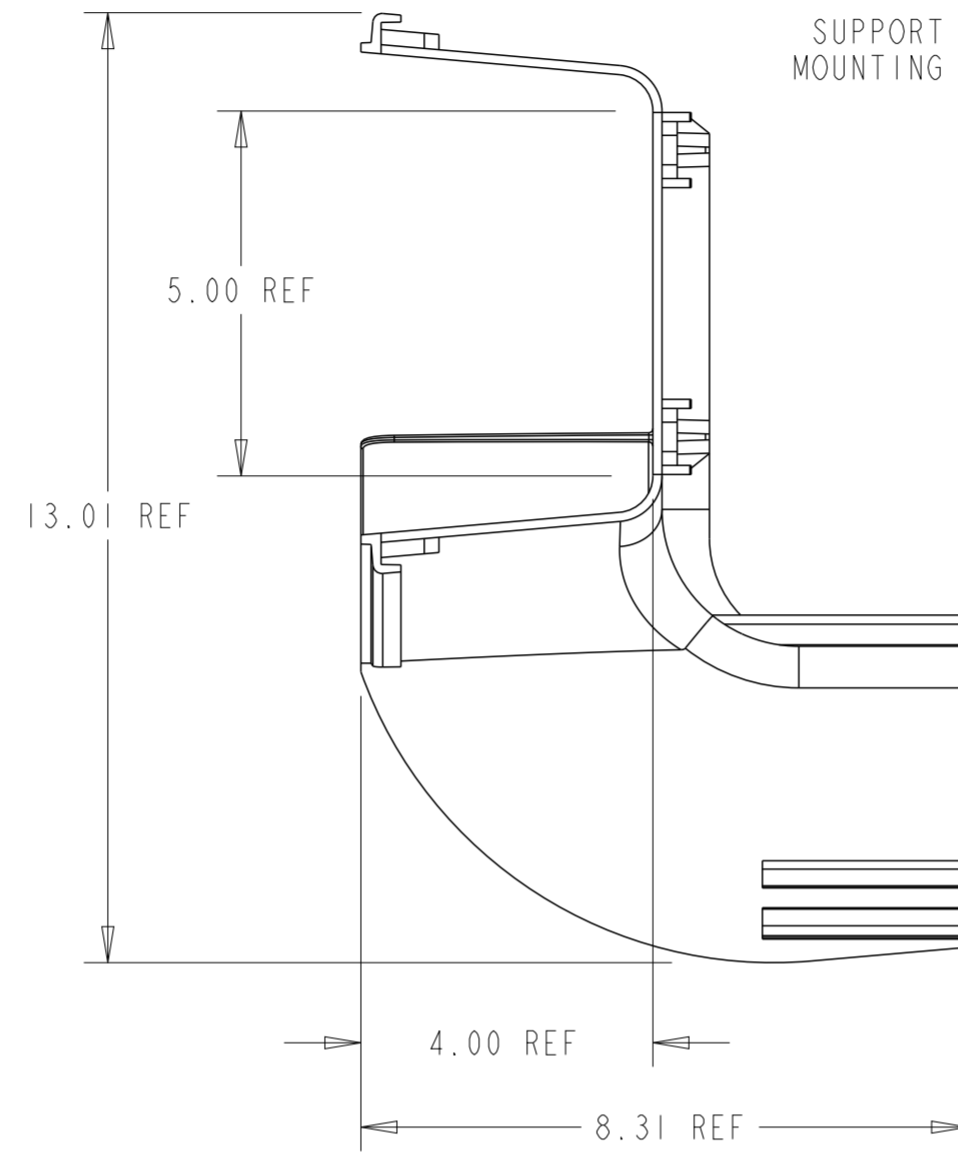
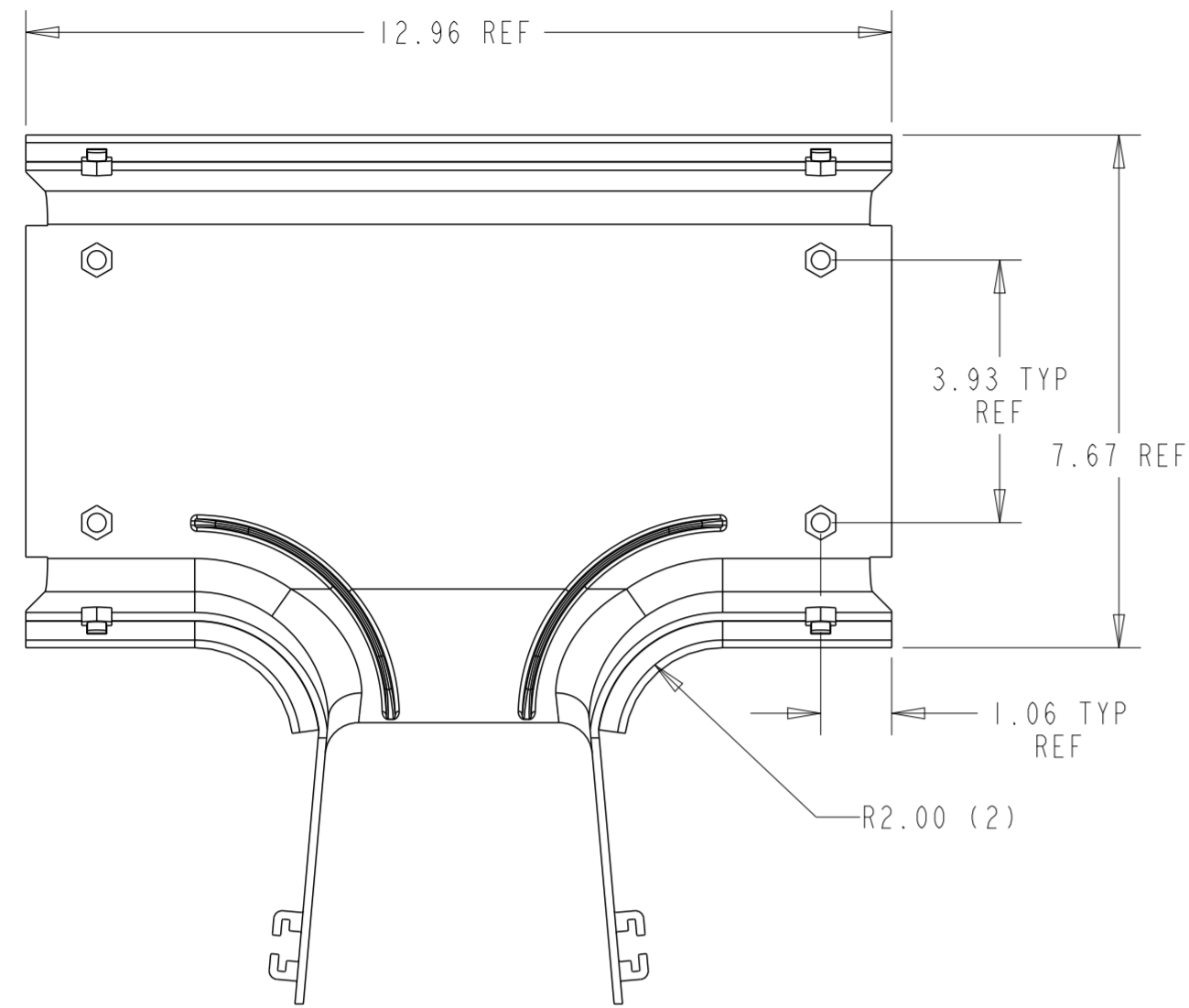


REVISIONS			
REV	CMO	DATE	APPROVED
B	20238208CMO	19-APR-08	AED
C	40174092CMO	26-SEP-23	FS



FGSB-MDSP-EX-B	BLACK
FGS-MDSP-EX-B	YELLOW
CATALOG NO.	COLOR

NOTES:

- MATERIAL IS SELF EXTINGUISHING WITH A UL 94 RATING OF V-0.

COMMSCOPE, INC.												
TOLERANCES					SAP MATERIAL MASTER							
SEE TABLE												
FINISH					MATERIAL							
SEE NOTES					SEE BOM							
UNLESS OTHERWISE SPECIFIED DIMENSIONS ARE IN MILLIMETERS	DRAFTER			TITLE			SIZE			SCALE		
	FERNANDO SALDIVAR			DWSPT, EXT, 4X6			A2			0.380		
	CHECKER			4X4 EXIT, FGS			DOCUMENT NO.			1146787_ADC		
	FERNANDO SALDIVAR											
ENGINEER												
RUBEN ARVILLA												
CMO			40174092CMO									
ALL SURFACES		AUTH GRP: ***		MODEL		DRAWING		SHEET				
✓		⊕		---		VERSION		STATUS		REVISION		
						***		01		RE C		

© 2023 CommScope, Inc. Confidential

NOTICE: These drawings and specifications are the proprietary property of COMMSCOPE, INC. and may be used only for the specific purpose authorized in writing by COMMSCOPE, INC.