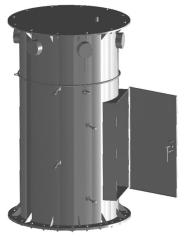


# WT-SPM-E1

---



Stackable Pod Mount Extension, 12 in

## Product Classification

**Product Type** Water tower mount

## General Specifications

**Mounting** Stackable pod mount

## Dimensions

**Height** 1,320.8 mm | 52 in

**Width** 1,320.8 mm | 52 in

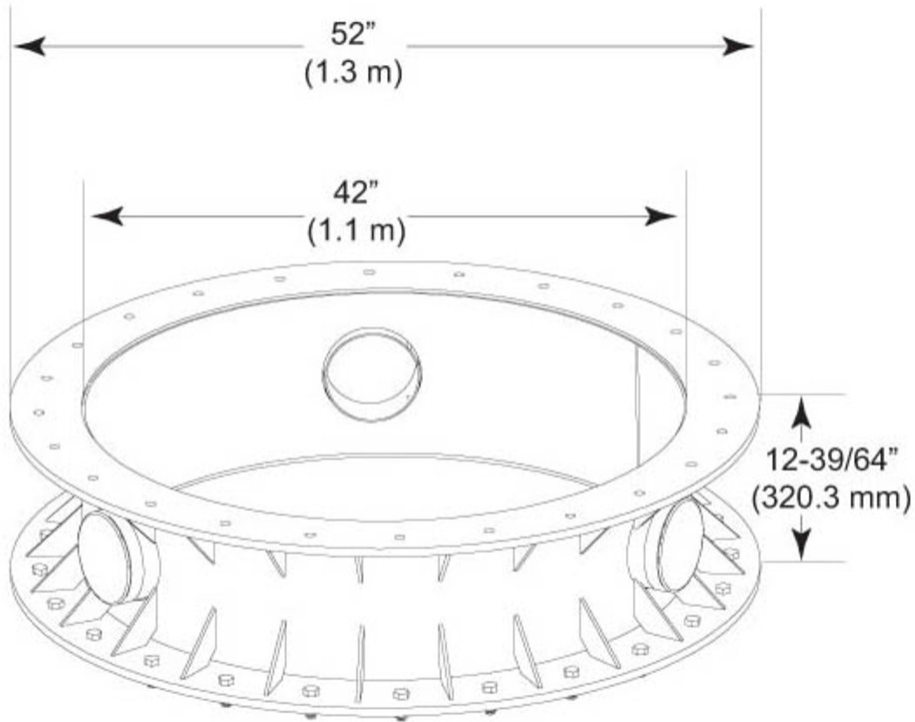
**Length** 304.8 mm | 12 in

**Compatible Diameter** 1,219.2 mm | 48 in

**Pipe Outer Diameter** 1,066.8 mm | 42 in

# WT-SPM-E1

## Outline Drawing



## Material Specifications

**Material Type** Hot dip galvanized steel

## Packaging and Weights

**Included** Extension | Hardware

**Packaging quantity** 1

**Weight, net** 171.912 kg | 379 lb

## Regulatory Compliance/Certifications

### Agency

ISO 9001:2015

### Classification

Designed, manufactured and/or distributed under this quality management system

