

# WT-HRM2-126

---



Water Tower Top Rail Mount, 2-3/8 in OD x 126 in plain end pipe included

## Product Classification

**Product Type** Water tower mount

## General Specifications

**Mounting** Handrail | Toe board

**Pipe, quantity** 1

## Dimensions

**Height** 3,200.4 mm | 126 in

**Width** 203.2 mm | 8 in

**Length** 609.6 mm | 24 in

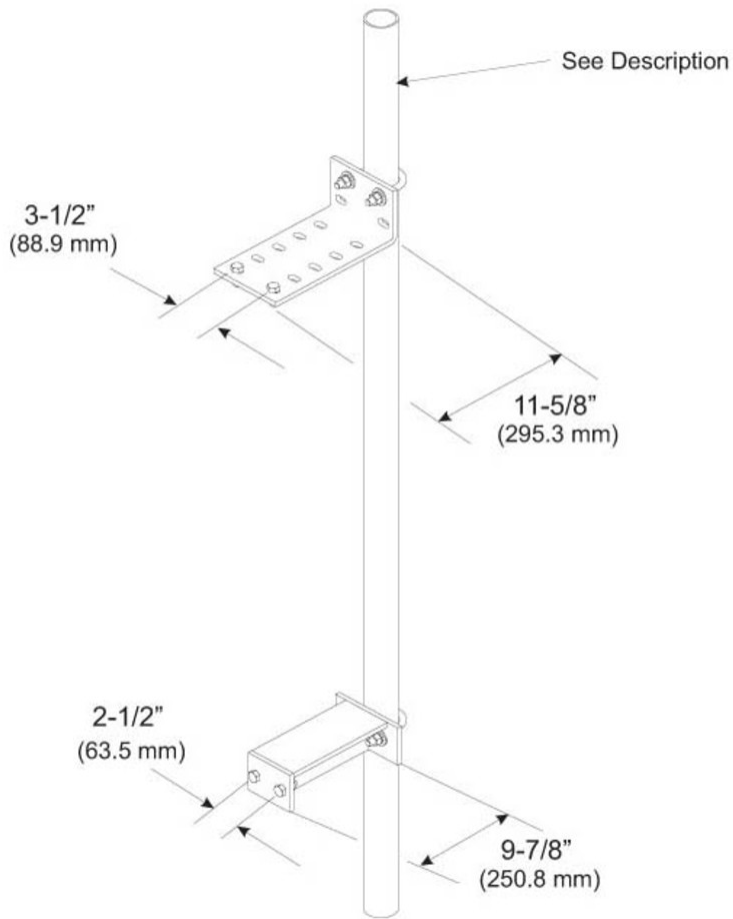
**Pipe Length** 3,200.4 mm | 126 in

**Pipe Outer Diameter** 60.96 mm | 2.4 in

**Stand-off Distance** 228.6 mm | 9 in

# WT-HRM2-126

## Outline Drawing



## Material Specifications

**Material Type** Hot dip galvanized steel

## Packaging and Weights

**Included** Hardware | Mount | Plain end pipes

**Packaging quantity** 1

**Weight, net** 26.399 kg | 58.2 lb

## Regulatory Compliance/Certifications

**Agency** **Classification**

# WT-HRM2-126

---

ISO 9001:2015

Designed, manufactured and/or distributed under this quality management system

## Included Products

- MT-537 – Plain End Pipe, 2-3/8 in OD x 126 in .120" A500C 46Ksi
- WT-HRM2-B – Water Tower Top Rail Mount for 2-3/8 in OD mounting pipe, plain end pipe not included

# MT-537

---



Plain End Pipe, 2-3/8 in OD x 126 in .120" A500C 46Ksi

A500 46 ksi steel

## Product Classification

**Product Type** Plain end pipe

## General Specifications

**Pipe, quantity** 1

## Dimensions

**Height** 60.96 mm | 2.4 in

**Width** 60.96 mm | 2.4 in

**Length** 3,200.4 mm | 126 in

**Pipe Length** 3,200.4 mm | 126 in

**Pipe Outer Diameter** 60.96 mm | 2.4 in

**Material Thickness** 3.048 mm | 0.12 in

## Material Specifications

**Material Type** A500 | Hot dip galvanized steel

**Material Grade** C

**Material Strength** 46 KSI

## Packaging and Weights

**Included** Pipe

**Packaging quantity** 1

**Weight, net** 18 kg | 39.683 lb

## Regulatory Compliance/Certifications

### Agency

CHINA-ROHS

ISO 9001:2015

### Classification

Below maximum concentration value

Designed, manufactured and/or distributed under this quality management system

# MT-537

---

REACH-SVHC

Compliant as per SVHC revision on [www.commscope.com/ProductCompliance](http://www.commscope.com/ProductCompliance)

ROHS

Compliant

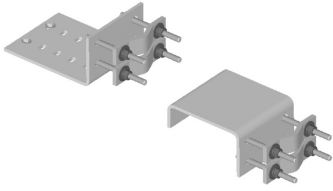
UK-ROHS

Compliant



# WT-HRM2-B

---



Water Tower Top Rail Mount for 2-3/8 in OD mounting pipe, plain end pipe not included

## Product Classification

**Product Type** Water tower mount

## General Specifications

**Mounting** Handrail | Toe board

**Pipe, quantity** 0

## Dimensions

**Height** 889 mm | 35 in

**Width** 203.2 mm | 8 in

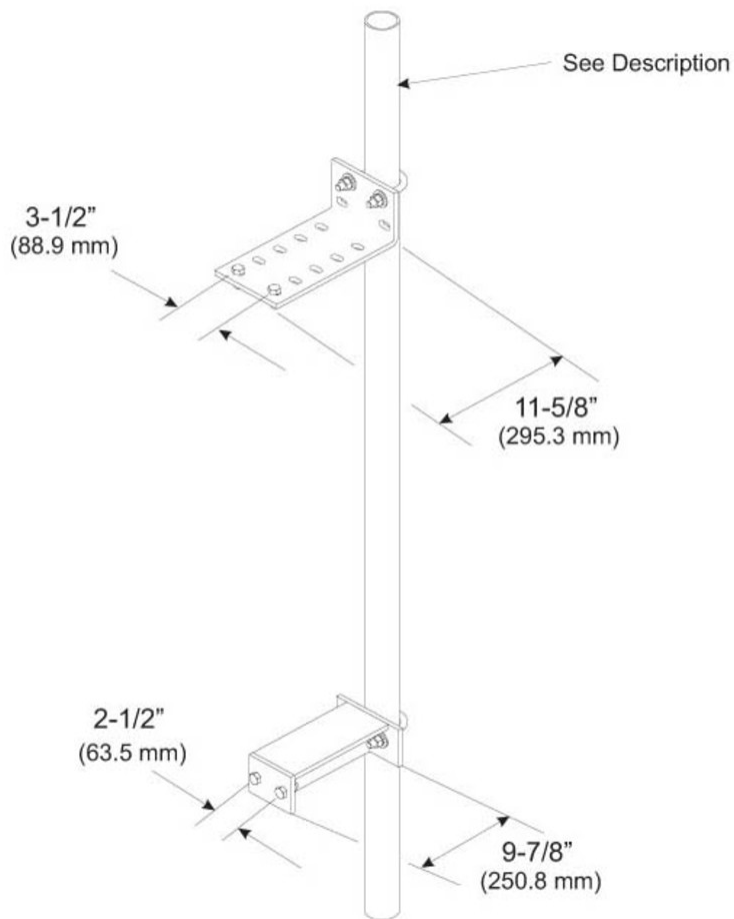
**Length** 609.6 mm | 24 in

**Pipe Outer Diameter** 60.96 mm | 2.4 in

**Stand-off Distance** 228.6 mm | 9 in

# WT-HRM2-B

## Outline Drawing



## Material Specifications

**Material Type** Hot dip galvanized steel

## Packaging and Weights

**Included** Hardware | Mount

**Packaging quantity** 1

**Weight, net** 9.299 kg | 20.5 lb

## Regulatory Compliance/Certifications

**Agency** **Classification**

# WT-HRM2-B

---

|               |  |
|---------------|--|
| CHINA-ROHS    | Below maximum concentration value  |
| ISO 9001:2015 | Designed, manufactured and/or distributed under this quality management system   |
| REACH-SVHC    | Compliant as per SVHC revision on <a href="http://www.commscope.com/ProductCompliance">www.commscope.com/ProductCompliance</a> |
| ROHS          | Compliant  |
| UK-ROHS       | Compliant  |

