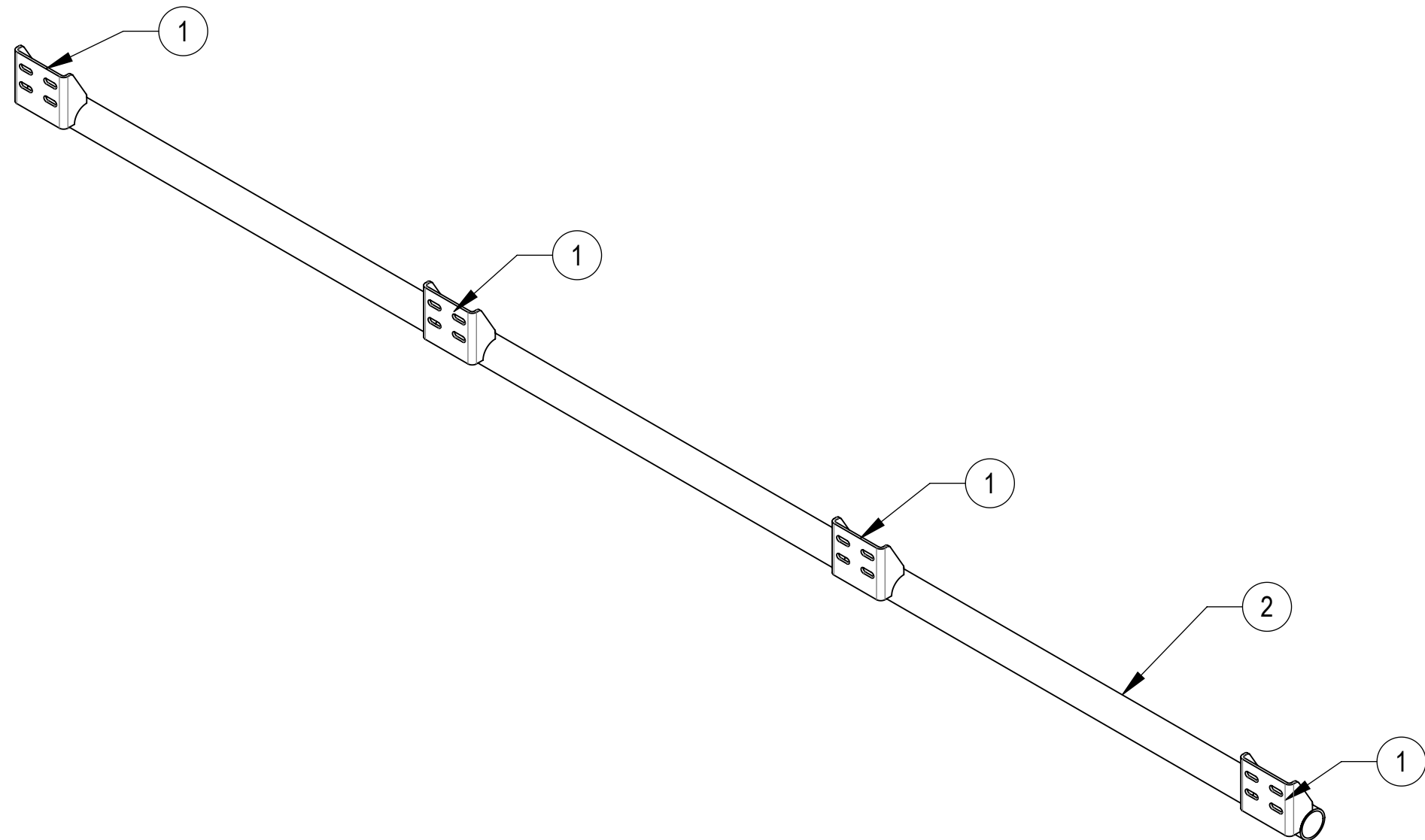
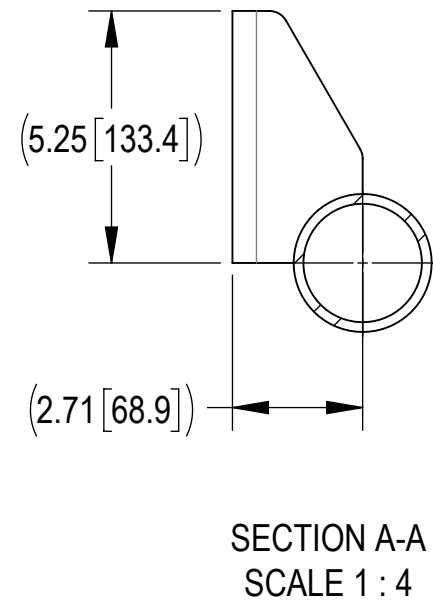
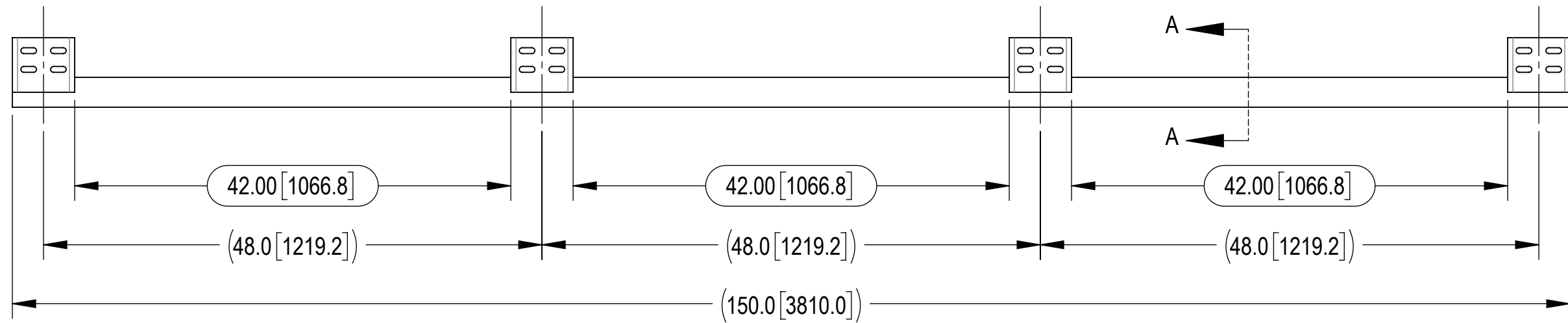
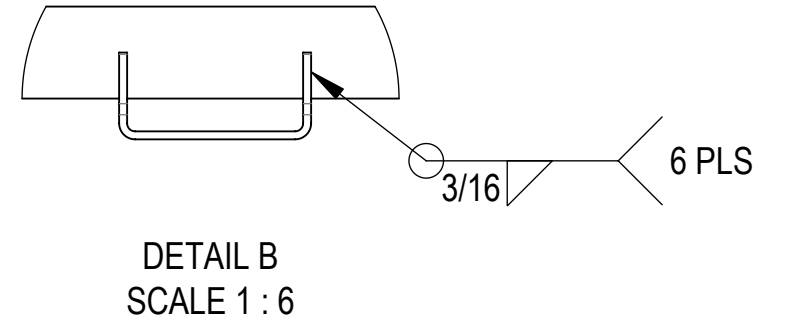
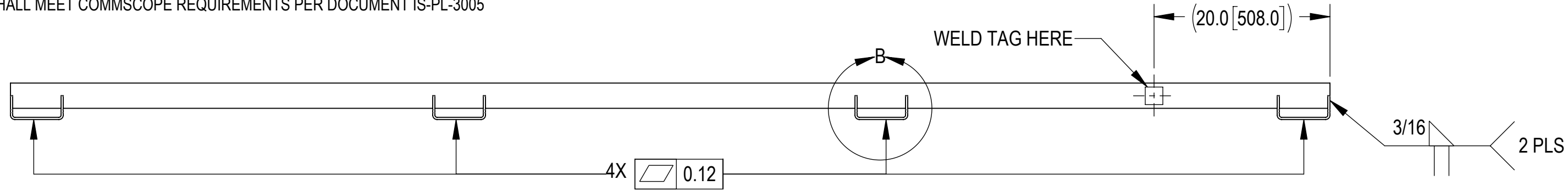


- 1.0 GENERAL NOTES
  - 1.1 ALL METRIC DIMENSIONS ARE IN BRACKETS [X.X]
  - 1.2 FEATURES CRITICAL TO QUALITY ARE INDICATED IN ROUNDED BOX (X.X)
  - 1.3 3D DIGITAL FILES ARE FOR REFERENCE. IN CASE OF CONFLICT FOLLOW PDF DRAWING
  - 1.4 WELD AREAS NOTED ARE CRITICAL TO QUALITY
- 2.0 DESIGN NOTES
- 3.0 MANUFACTURING/SPECIAL REQUIREMENTS
  - 3.1 BREAK SHARP EDGES AND DEBURR PART FOR SAFE HANDLING
  - 3.2 WELDING:
    - 3.2.A ALL WELDING SHALL CONFORM TO AWS D1.1, STEEL STRUCTURAL WELDING CODE
    - 3.2.B WELDING WORKMANSHIP SHALL BE PER AWS D1.1, TABLE 8.1 (VISUAL INSPECTION)
    - 3.2.C ALL WELDING SHALL BE PERFORMED BY CERTIFIED WELDERS
    - 3.2.D ALL WELD SLAG, SPATTER AND SHARP SHALL BE REMOVED PRIOR TO FINISH
    - 3.2.E WELDER ID TAG SHALL BE LOCATED APPROXIMATELY WHERE SHOWN FOR MANUFACTURER & WELDER TRACEABILITY. TAG SHALL HAVE MANUFACTURE ID (XXX) FOR VENDOR SUPPLIED AND WELDER ID (XXX) FOR COMMSCOPE/VENDOR WELDER. TAG CAN BE UP TO 1/8" THICK & UP TO 2" SQUARE WITH STAMPED/ENGRAVED TEXT NO LESS THAN 1/4" IN HEIGHT
  - 3.3 GALVANIZE PER ASTM A123
  - 3.4 MARK WITH PART NUMBER, REVISION, AND VENDOR ID WITH ETCH, STAMP OR LABEL. CHARACTERS TO BE 0.12" TO 0.24" HIGH AND LEGIBLE TO THE UNAIDED EYE.
- 4.0 TEST
- 5.0 PACKAGING
  - 5.1 PACKAGING SHALL MEET COMMSCOPE REQUIREMENTS PER DOCUMENT IS-PL-3005

REVISIONS			
REV.	DESCRIPTION	DATE	APPROVED
A	INITIAL RELEASE	JL1183 18OCT23	XK1001 40179678CMO



MID	FINISH
SFG-FP-12.5-4-48	GALV A123
SFG-FP-12.5-4-48-B	N/A

**COMMSCOPE, INC. OF NORTH CAROLINA**

TOLERANCES		SAP MATERIAL MASTER						
1 PLACE .X[X] ± 0.2[6.3]	3 PLACE .XXX[X] ± 0.060[1.5]	<b>SEE TABLE</b>						
2 PLACE .XX[X] ± 0.12[3.0]	ANGLES ± 2°							
FINISH SEE TABLE		MATERIAL						
<small>UNLESS OTHERWISE SPECIFIED DIMENSIONS ARE IN INCHES INTERPRET PER ANSI Y 14.5M-1994</small>		NAME	DATE	TITLE				
		CE JL1183	18OCT23	<b>FACE-PIPE, 2.88"X12.5', 4-POS, 48"</b>				
		RW JL1183	10/20/2023					
		AD XK1001	10/20/2023					
RE JL1183	10/23/2023							
ECN 40179678CMO		SCALE	DOCUMENT NO.					
		<b>1:12</b>	<b>SFG-FP-12.5-4-48</b>					
SIZE	Auth Group	INSL	MODEL	DRAWING		SHEET 1 OF 1		
<b>C</b>			VERSION	STATUS	REVISION		VERSION	STATUS
			00	RE	A	00	RE	A

DENSITY	85.25	lbs/in <sup>3</sup>
MASS	85.25	lbs
VOLUME	299.82	in <sup>3</sup>
SURFACE AREA	2917.87	in <sup>2</sup>
HEIGHT	6.69"	
LENGTH	150.0"	
WIDTH	4.15"	