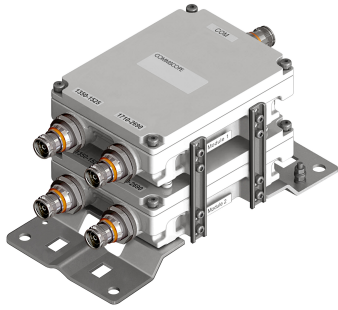


E14F05P6590



Twin 2-pak Diplexer, 1350–1525 MHz/1710–2690 MHz, DC block on all ports, with 4.3-10 connectors

- Industry leading PIM performance
- New 4.3-10 connectors for improved PIM performance and size reduction
- dc/AISG blocking on all ports
- Designed for network modernization application, introduction of LTE1400 on existing site

Product Classification

Product Type Diplexer

General Specifications

Product Family CBC426

Color Gray

Common Port Label ANT

Modularity 2-Twin

Mounting Pole | Wall

Mounting Pipe Hardware Band clamps (2)

RF Connector Interface 4.3-10 Female

RF Connector Interface Body Style Long neck

Dimensions

Height 165 mm | 6.496 in

Width 120 mm | 4.724 in

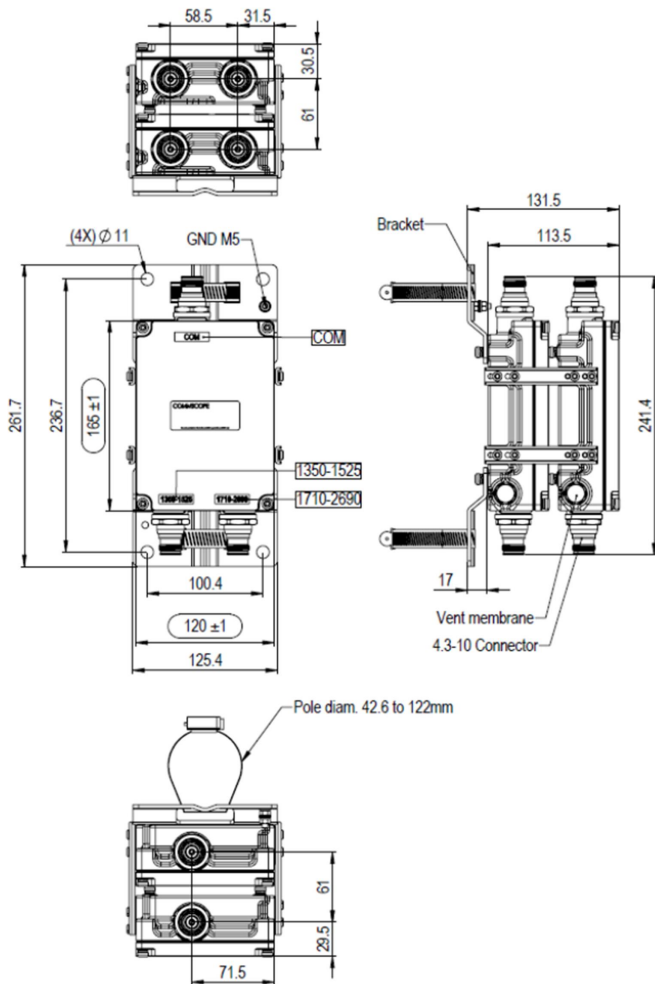
Depth 113.5 mm | 4.469 in

Ground Screw Diameter 5 mm | 0.197 in

Mounting Pipe Diameter Range 40–160 mm

Outline Drawing

E14F05P6590



Electrical Specifications

| | |
|--------------------------------|---|
| Impedance | 50 ohm |
| License Band, Band Pass | APT 700 AWS 1700 CEL 850 CEL 900 DCS 1800 EDD 800 IMT 2100 IMT 2600 LMR 750 LMR 800 LMR 900 PCS 1900 PDC 1500 SDL 1400 TDD 2300 TDD 2600 USA 700 USA 750 WCS 2300 |

Electrical Specifications, dc Power/Alarm

| | |
|---|-------------------------------|
| dc/AISG Pass-through Method | Factory set |
| dc/AISG Pass-through, combiner | dc/AISG blocking on all ports |
| Lightning Surge Current | 10 kA |
| Lightning Surge Current Waveform | 8/20 waveform |

Electrical Specifications, AISG

E14F05P6590

| | |
|--------------------------------|--------------------|
| AISG Carrier | 2176 KHz ± 100 ppm |
| Insertion Loss, maximum | 1.4 dB |
| Return Loss, minimum | 10 dB |

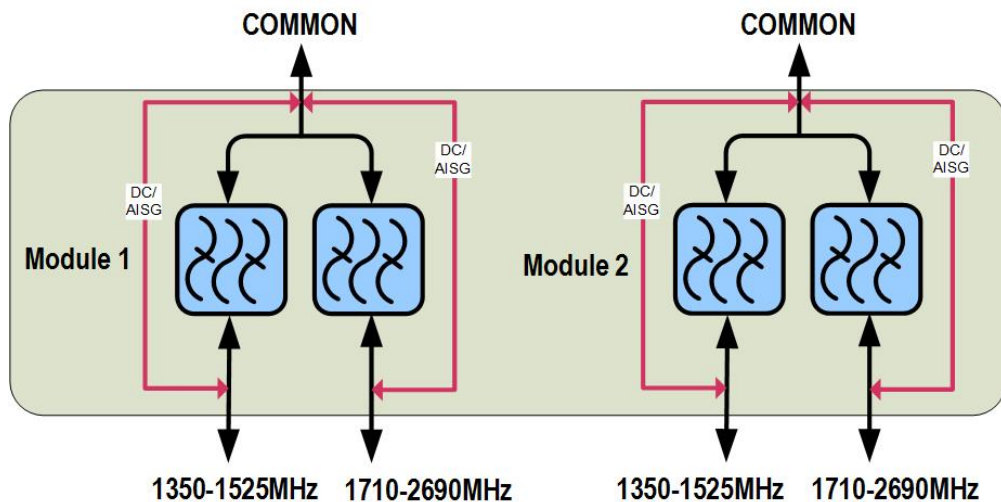
Electrical Specifications

| | | |
|-------------------------|--|--|
| Sub-module | 1 2 | 1 2 |
| Branch | 1 | 2 |
| Port Designation | PORT 1 1350-1525 | PORT 2 1710-2690 |
| License Band | PDC 1500, Band Pass SDL 1400, Band Pass | AWS 1700, Band Pass DCS 1800, Band Pass IMT 2100, Band Pass IMT 2600, Band Pass PCS 1900, Band Pass TDD 2300, Band Pass TDD 2600, Band Pass WCS 2300, Band Pass |

Electrical Specifications, Band Pass

| | | |
|---------------------------------------|----------------------|----------------------|
| Frequency Range, MHz | 1350–1525 | 1710–2690 |
| Insertion Loss, typical, dB | 0.2 | 0.25 |
| Total Group Delay, typical, ns | 8 | 8 |
| Return Loss, minimum, dB | 18 | 18 |
| Return Loss, typical, dB | 20 | 20 |
| Isolation, minimum, dB | 50 | 50 |
| Input Power, RMS, maximum, W | 200 | 200 |
| Input Power, PEP, maximum, W | 2000 | 2000 |
| 3rd Order PIM, typical, dBc | -163 | -163 |
| 3rd Order PIM Test Method | Two +43 dBm carriers | Two +43 dBm carriers |

Block Diagram



Environmental Specifications

Operating Temperature -40 °C to +65 °C (-40 °F to +149 °F)

Relative Humidity 5%–100%

Corrosion Test Method IEC 60068-2-11, 30 days

Ingress Protection Test Method IEC 60529:2001, IP67

Packaging and Weights

Included Mounting hardware

Volume 2.5 L

Weight, net 4.3 kg | 9.48 lb

Regulatory Compliance/Certifications

Agency

ISO 9001:2015

Classification

Designed, manufactured and/or distributed under this quality management system

