

**EASIAX® Cable  
Preparation Tool**  
for LDF4 Style Cable

*Andrew Institute offers installation training.*

**Description**

The EASIAX® Cable Preparation Tool quickly cuts the cable jacket and outer conductor in one operation. Cuts are uniform and precisely spaced for accurate and easy fitting of the connectors.

Each cutter blade is positioned off center so that reversing the blade provides another cutting edge. Thus, approximately 100 cuts can be made before replacing the blade.

The cutter blades are easily replaced by pulling off the blade slot access cover. Removing the opposite cover provides access to stored blades.

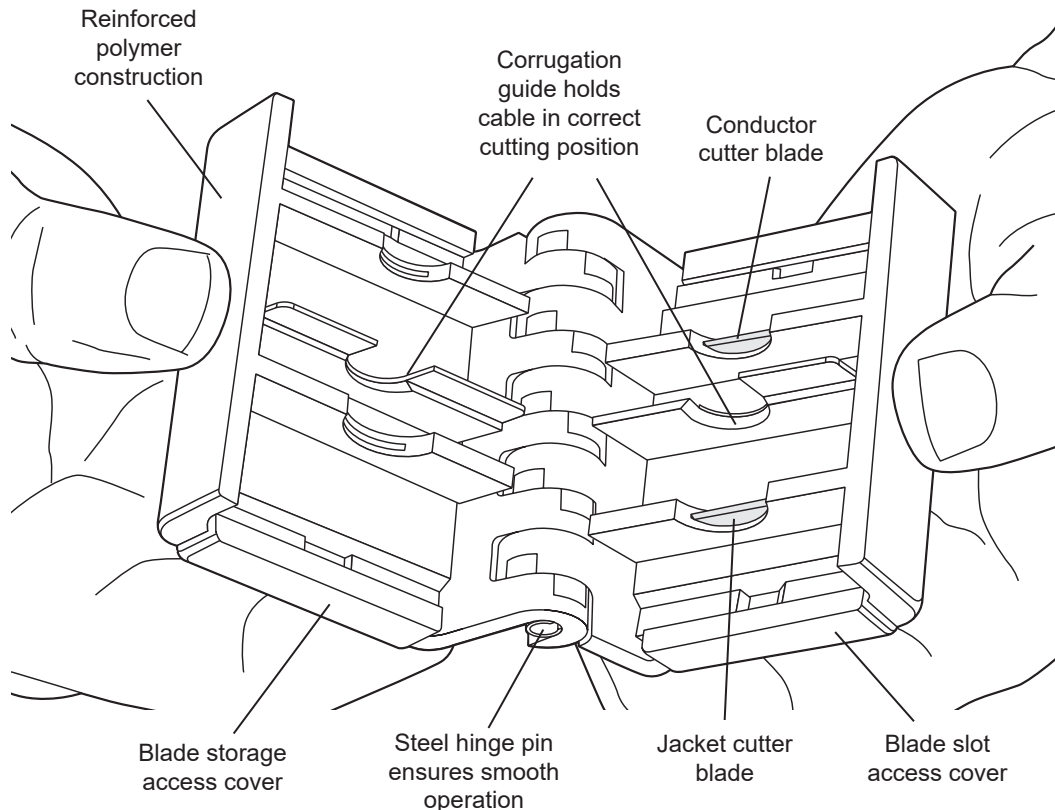
Ordering information:

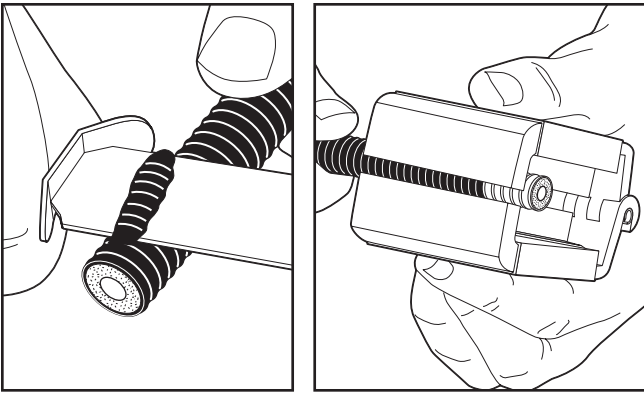
- MCPT-L4 Tool and 5 blades
- MCPT-BK4 Blade Kit (5 blades) -- replacement blades for MCPT-L4 tool

**MCPT-L4 tool may be used to prepare cable for the following type connectors**

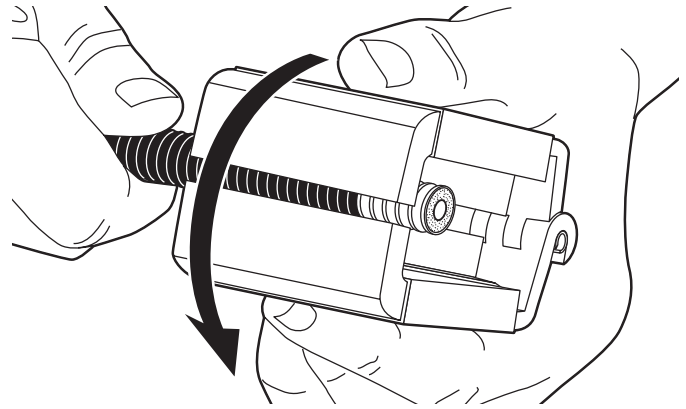
All standard and following	One-piece	Ring Flare
L4PNM-C	L4PDF-RPC	L4PDM-RC
L4NM-C	L4PDM-RPC	L4PNM-RC
L4PNF-C	L4PNF-RPC	L4PNF-RC
L4NM-HC	L4PNM-RPC	
L4PNM-HC	L4PDR-RPC	
L4PDF-RC		

**⚠ CAUTION.** Be careful when handling the Cable Preparation Tool to avoid accidental contact with the cutter blades.

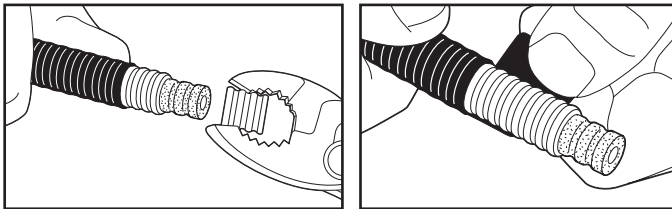




- 1** Remove about 1" (25 mm) of the jacket from the cable end by scoring and slicing the jacket. Position the tool on the cable so that the corrugation guide is about 1/2" (13 mm) from the cable end.



- 2** Lightly squeeze the tool halves together and rotate the tool counter-clockwise (as viewed from the cable end) three or four revolutions to score the outer conductor. Then, firmly squeeze and rotate the tool until the cut section falls away. **Note:** Keep a firm and constant grip on the tool. Do not release the tool during rotation because this will result in an uneven cut.



- 3** Pull off the cut conductor. Slit and peel the scored section of jacket. Proceed to the connector installation bulletin.

#### Notice

*The installation, maintenance, and removal of antenna systems requires qualified, experienced personnel. Andrew installation instructions are written for such personnel. Antenna systems should be inspected once a year by qualified personnel to verify proper installation, maintenance, and condition of equipment.*

*Andrew disclaims any liability or responsibility for the results of improper or unsafe installation practices.*

#### ANDREW an Amphenol company

2601 Telecom Parkway, Richardson, Texas, 75082, USA  
www.andrew.com

Notice: ANDREW disclaims any liability or responsibility for the results of improper or unsafe installation, inspection, maintenance, or removal practices.

Aviso: ANDREW no acepta ninguna obligación ni responsabilidad como resultado de prácticas incorrectas o peligrosas de instalación, inspección, mantenimiento o retiro.

Avis: ANDREW décline toute responsabilité pour les conséquences de procédures d'installation, d'inspection, d'entretien ou de retrait incorrectes ou dangereuses.

Hinweis: ANDREW lehnt jede Haftung oder Verantwortung für Schäden ab, die aufgrund unsachgemäßer Installation, Überprüfung, Wartung oder Demontage auftreten.

Atenção: A ANDREW abdica do direito de toda responsabilidade pelos resultados de práticas inadequadas e sem segurança de instalação, inspeção, manutenção ou remoção.

Avvertenza: ANDREW declina eventuali responsabilità derivanti dall'esecuzione di procedure di installazione, ispezione, manutenzione e smontaggio improprie o poco sicure.

注意: ANDREW 公司申明對於不恰當或不安全的安裝、檢驗、維修或拆卸操作所導致的後果不負任何義務和責任

©2025 ANDREW, an Amphenol company. All rights reserved. Amphenol and ANDREW are registered trademarks of Amphenol and/or its affiliates in the U.S. and other countries. All product names, trademarks and registered trademarks are property of their respective owners.

#### Technical Support

+1 888 297 6433, Option 3 (Toll Free US and Canada)  
awpnarsupport@andrew.com