

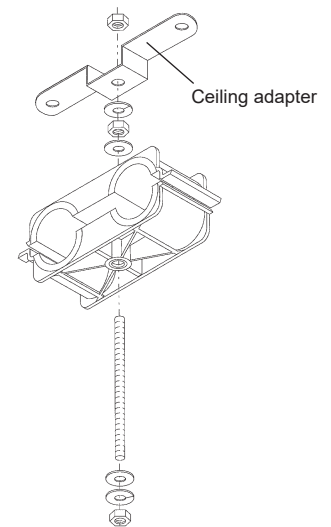
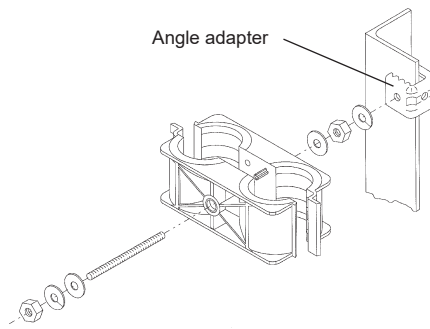
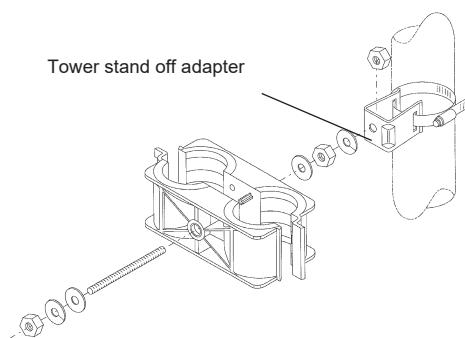
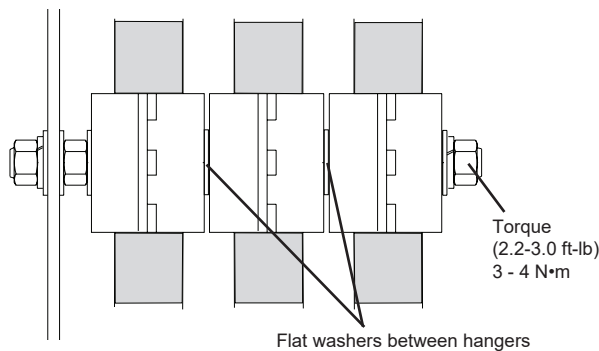
Click-On™ Hangers for Fiber, Power, Hybrid and Coaxial Assemblies

Bulletin 237397 Revision J Page 1 of 1

Description

CLICK-series hangers blocks are designed to secure multiple runs of cable in bundled space saving configurations. Blocks can be mounted directly to existing tower members using single, double, triple, or quadruple stack hardware kits recommended at 3ft (0.9m) intervals. For additional details on spacing, you can reference the Hanger Spacing Guidelines at andrew.com.

Block Part No.	Compatible Cable Diameter Range	1-Stack Hardware Part No.	2-Stack Hardware Part No.	3-Stack Hardware Part No.	4-Stack Hardware Part No.
L4CLICK	15.2-16.3 mm	3/8" 243095-9 M10 243095-11	3/8" 243095-5 M10 243095-7	3/8" 243095-1 M10 243095-3	3/8" 243095-2 M10 243095-4
L5CLICKB	27.7-28.2 mm	3/8" 243095-9 M10 243095-11	3/8" 243095-5 M10 243095-7	3/8" 243095-1 M10 243095-3	3/8" 243095-2 M10 243095-4
L6CLICK	38.1-40.1 mm	3/8" 243095-10 M10 243095-12	3/8" 243095-6 M10 243095-8	3/8" 243095-2 M10 243095-37	3/8" 243095-38 M10 243095-37
L7CLICK	49-51.1 mm	3/8" 243095-10 M10 243095-12	3/8" 243095-6 M10 243095-8	3/8" 243095-2 M10 243095-37	3/8" 243095-38 M10 243095-37



ANDREW an Amphenol company

2601 Telecom Parkway, Richardson, Texas, 75082, USA
www.andrew.com

Notice: ANDREW disclaims any liability or responsibility for the results of improper or unsafe installation, inspection, maintenance, or removal practices.
 Aviso: ANDREW no acepta ninguna obligación ni responsabilidad como resultado de prácticas incorrectas o peligrosas de instalación, inspección, mantenimiento o retiro.
 Avis : ANDREW décline toute responsabilité pour les conséquences de procédures d'installation, d'inspection, d'entretien ou de retrait incorrectes ou dangereuses.
 Hinweis: ANDREW lehnt jede Haftung oder Verantwortung für Schäden ab, die aufgrund unsachgemäßer Installation, Überprüfung, Wartung oder Demontage auftreten.
 Atenção: A ANDREW abdica do direito de toda responsabilidade pelos resultados de práticas inadequadas e sem segurança de instalação, inspeção, manutenção ou remoção.
 Avvertenza: ANDREW declina eventuali responsabilità derivanti dall'esecuzione di procedure di installazione, ispezione, manutenzione e smontaggio improprie o poco sicure.
 注意: ANDREW 公司申明對於不恰當或不安全的安裝、檢驗、維修或拆卸操作所導致的後果不負責任 何義務和責任

Technical Support

+1 888 297 6433, Option 3 (Toll Free US and Canada)
awpnarsupport@andrew.com