

# TP-G412-72

---



Universal Tripod Mount, 4-1/2 in OD x 72 in pipe

**OBSOLETE**

**Replaced By:**

TP-G412-96

Universal Tripod Mount, 4-1/2 in OD x 96 in pipe

## Product Classification

**Product Type** Tripod mount

## General Specifications

**Mounting** Surfaces

**Note** One 6 ft microwave antenna using 4-1/2 in pipe mast

**Pipe, quantity** 1

## Dimensions

**Height** 1,828.8 mm | 72 in

**Width** 1524 mm | 60 in

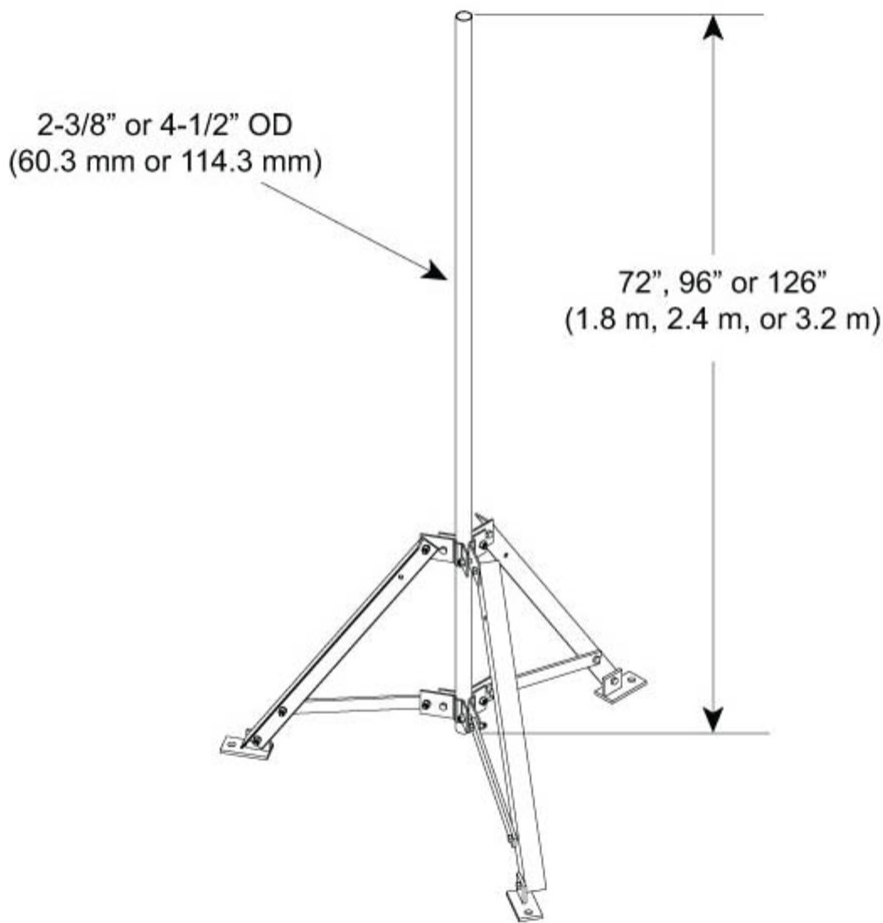
**Length** 1.524 m | 5 ft

**Pipe Length** 1,828.8 mm | 72 in

**Pipe Outer Diameter** 114.3 mm | 4.5 in

# TP-G412-72

## Outline Drawing



## Material Specifications

**Material Type** Hot dip galvanized steel

## Mechanical Specifications

**Wind Rating** 85 mph (BWS) at 100 ft AGL using Exposure C per UBC

**Wind Rating Test Method** TIA/EIA-222

## Packaging and Weights

**Included** Mount, with or without pipe

**Packaging quantity** 1

# TP-G412-72

---

**Weight, net** 108.1 kg | 238.319 lb

## Regulatory Compliance/Certifications

**Agency**

ISO 9001:2015



**Classification**

Designed, manufactured and/or distributed under this quality management system

## Included Products

- TP-G412-B - Universal Tripod Mount, base only, pipe not included

## \* Footnotes

**Wind Rating** BWS—Base Wind Speed; FBC—Florida Building Code