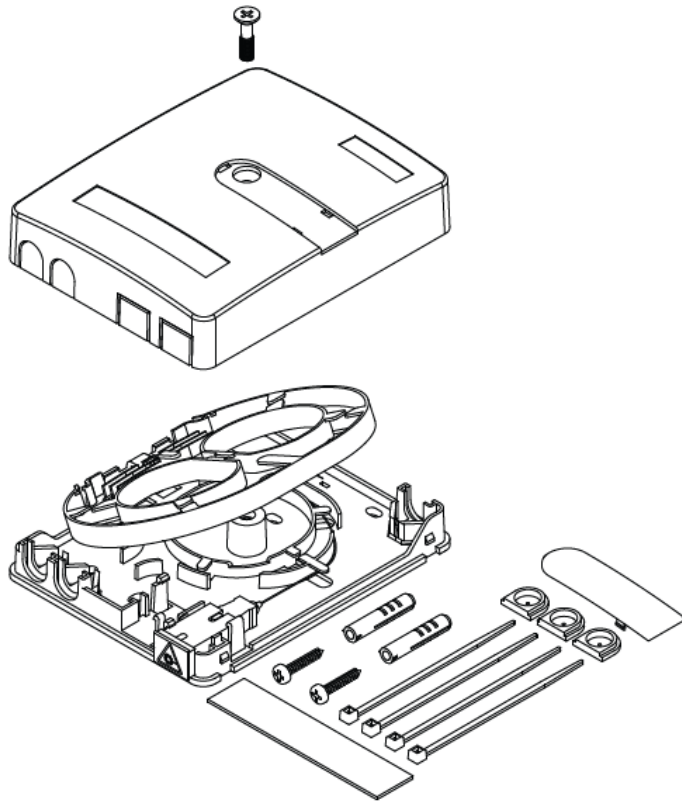


COMMSCOPE®

1. KIT CONTENT

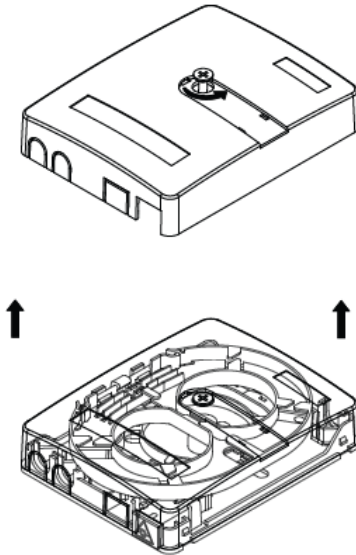


The kit includes:

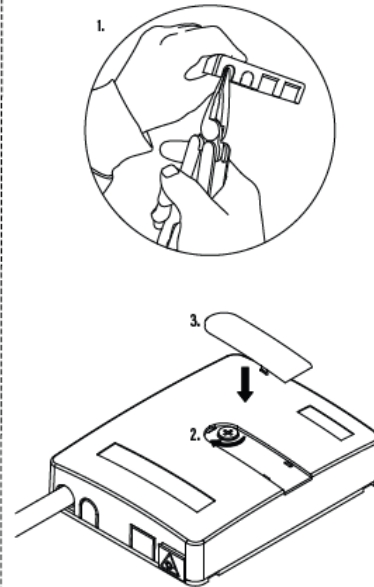
- Wallbox
- Stainless steel M4 nut and screw (Installed)
- Pigtail SC/APC (Installed)
- SC/APC Adapter with lid (Installed)
- Grommets (3 units)
- Tie-wraps 2mmx80mm (4 units)
- Expansion dowels 5mm (2 units)
- Wall screws (2 units)
- Foam band 90mmx20mm
- Small lid

COMMSCOPE®

2. OPENING AND CLOSING OF THE BOX



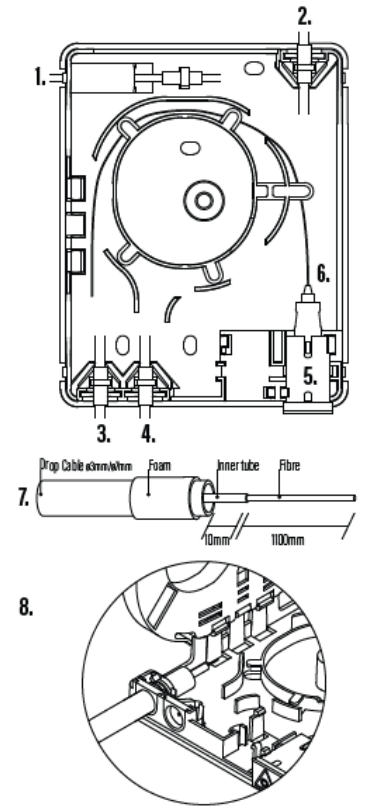
To open the box:
Unscrew and move the cover in the direction of the arrows



To close the box:
1. The detail shows the opening procedure by removing the die-cut plastic to be able to close the lid once the cable has been installed
2. Screw the M4 screw
3. Close completely by inserting the small lid

COMMSCOPE®

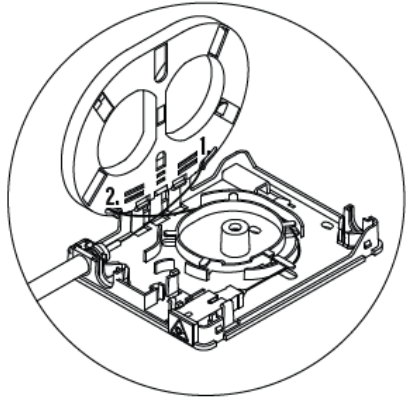
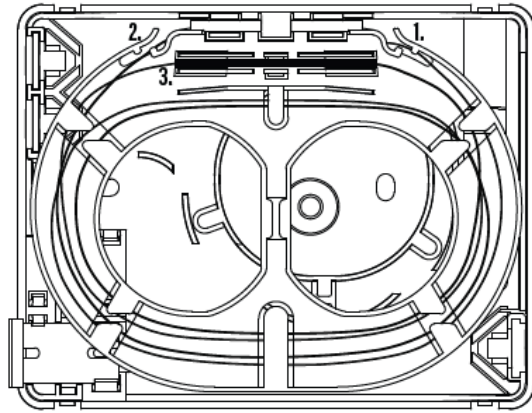
3. PLACEMENT OF PIGTAIL & 4 DROP ENTRIES



- 1. Back drop entry access
- 2. Drop entry access
- 3. Drop entry access
- 4. Drop entry access
- 5. SC/APC Adapter
- 6. Pigtail SC/APC
- 7. Drop Cable diameter, Inner tube and Fibre dimensions
- 8. Detail of the lock of the drop entry

COMMSCOPE®

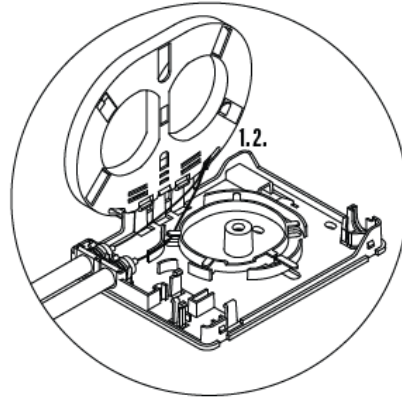
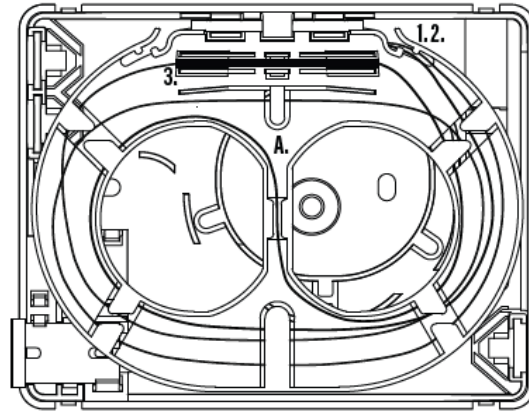
4. FUSION SPLICE: DROP CABLE / PIGTAIL



- 1. Access of drop cable (See plan and detail)
- 2. Access of pre-installed Pigtail (See plan and detail)
- 3. Fusion splice

COMMSCOPE®

5. FUSION SPLICE: 2 DROP CABLES IN SAME DIRECTION

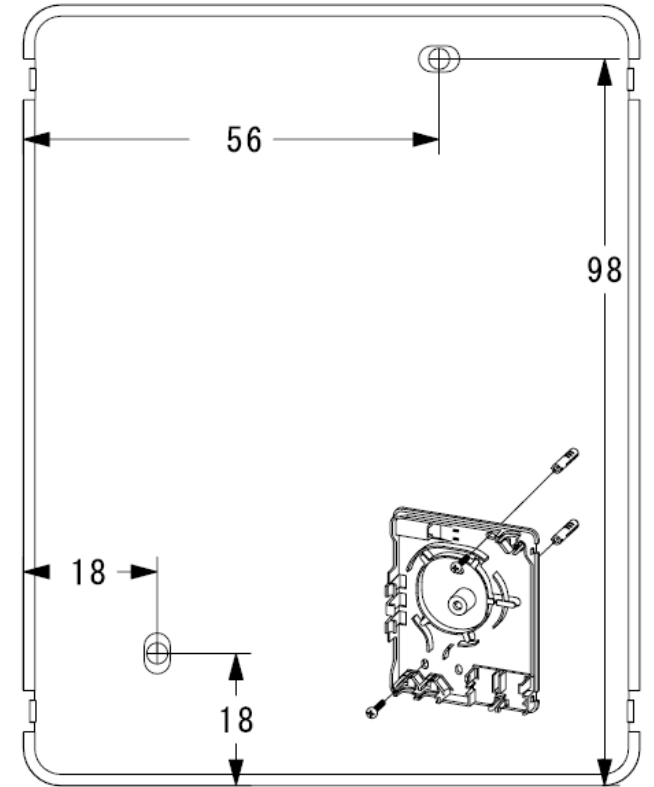


A. Change of turn of one drop cable

- 1. Access of EXTERIOR drop cable (See plan and detail)
- 2. Access of INTERIOR drop cable (See plan and detail)
- 3. Fusion splice

COMMSCOPE®

6. TEMPLATE FOR ALLOCATION OF WALL SCREWS



IMPORTANT: Please use this template to drill the holes in the wall necessary to install the product.