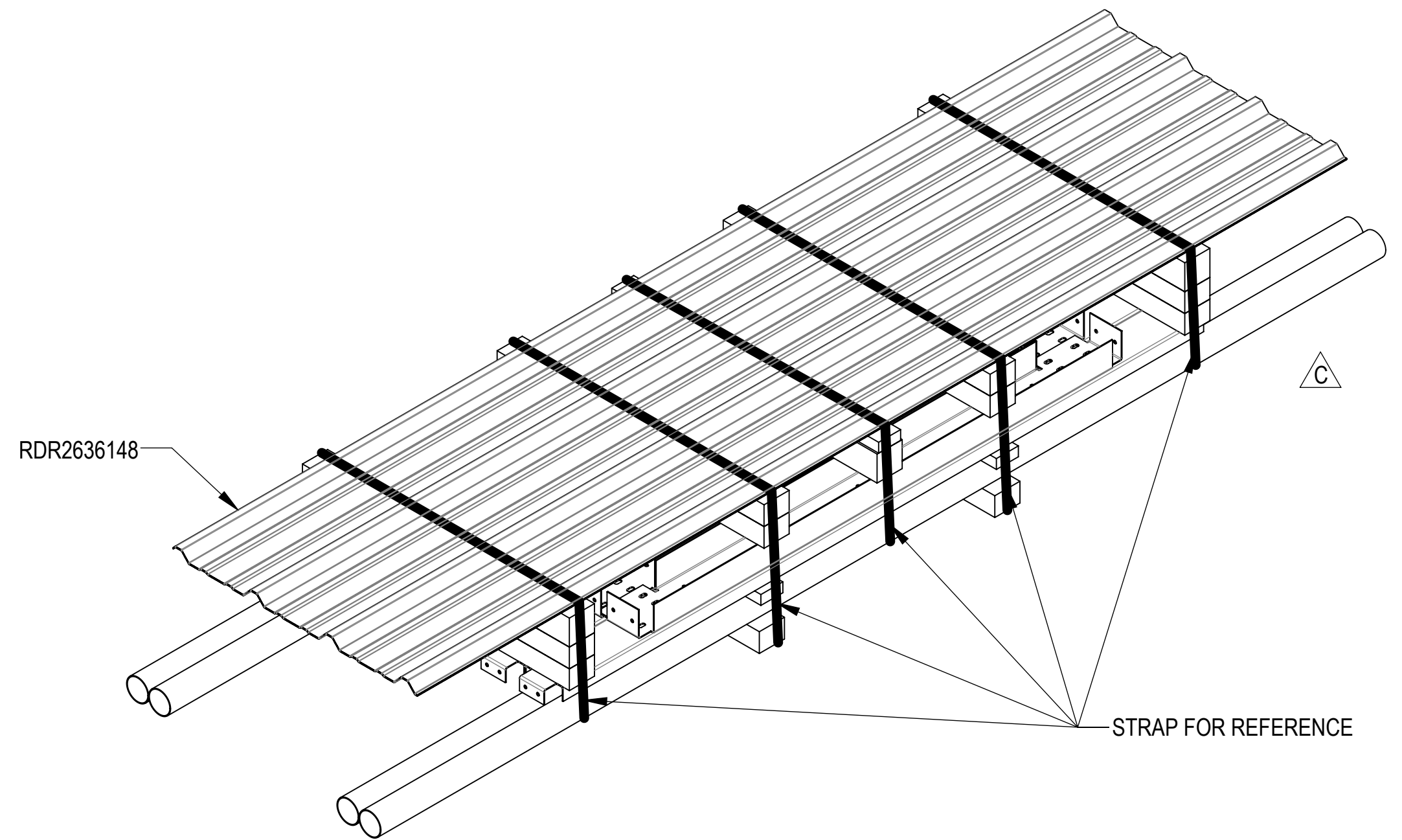
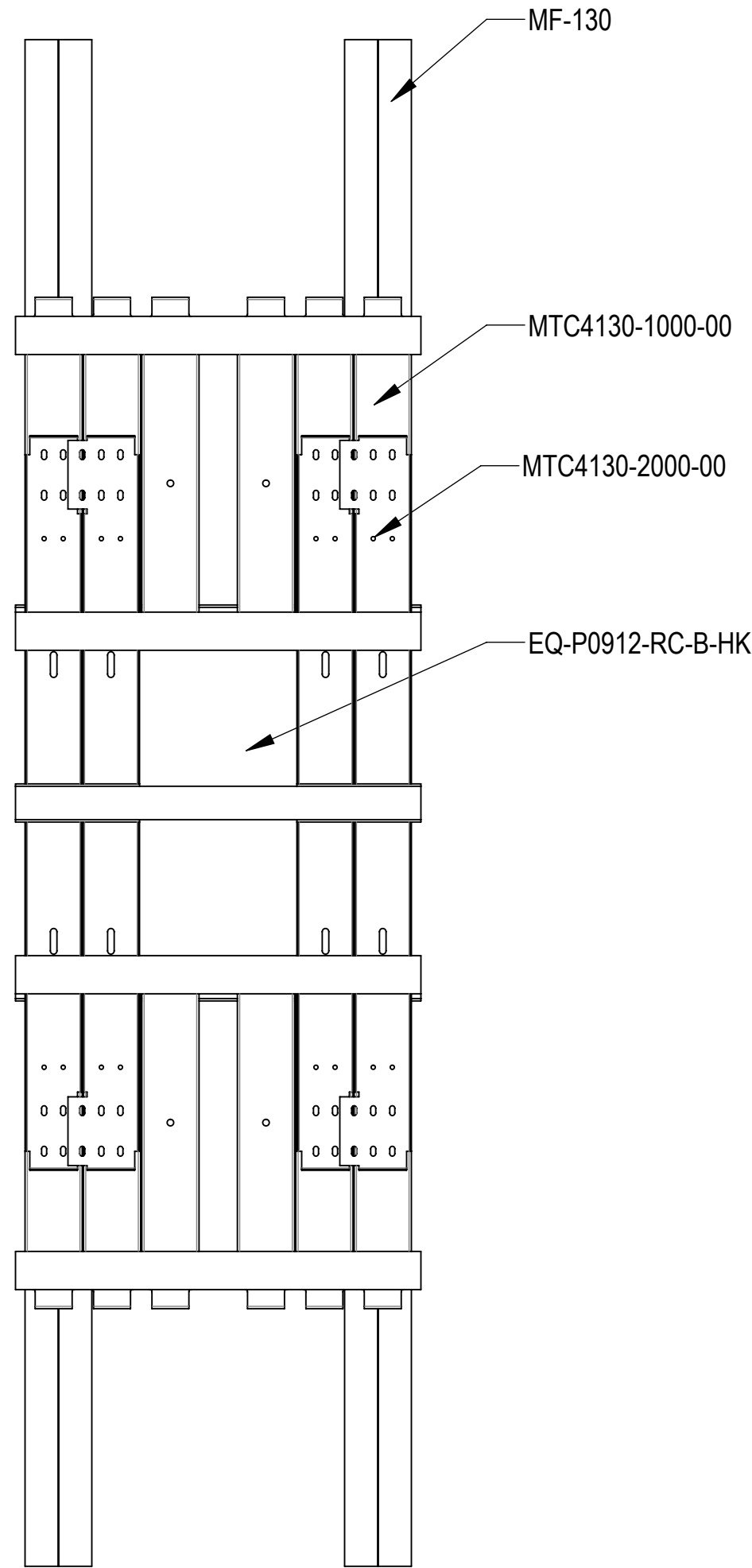
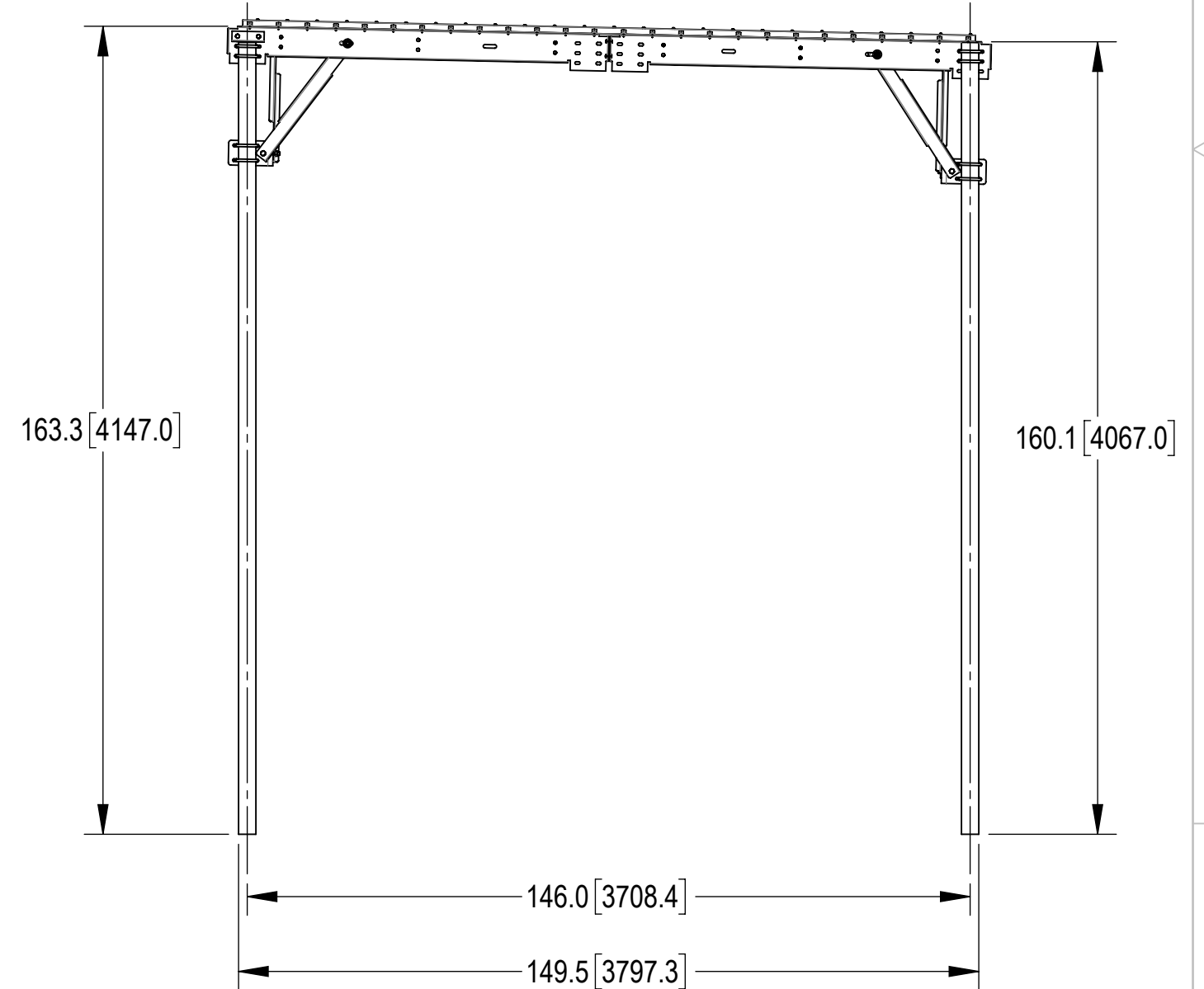
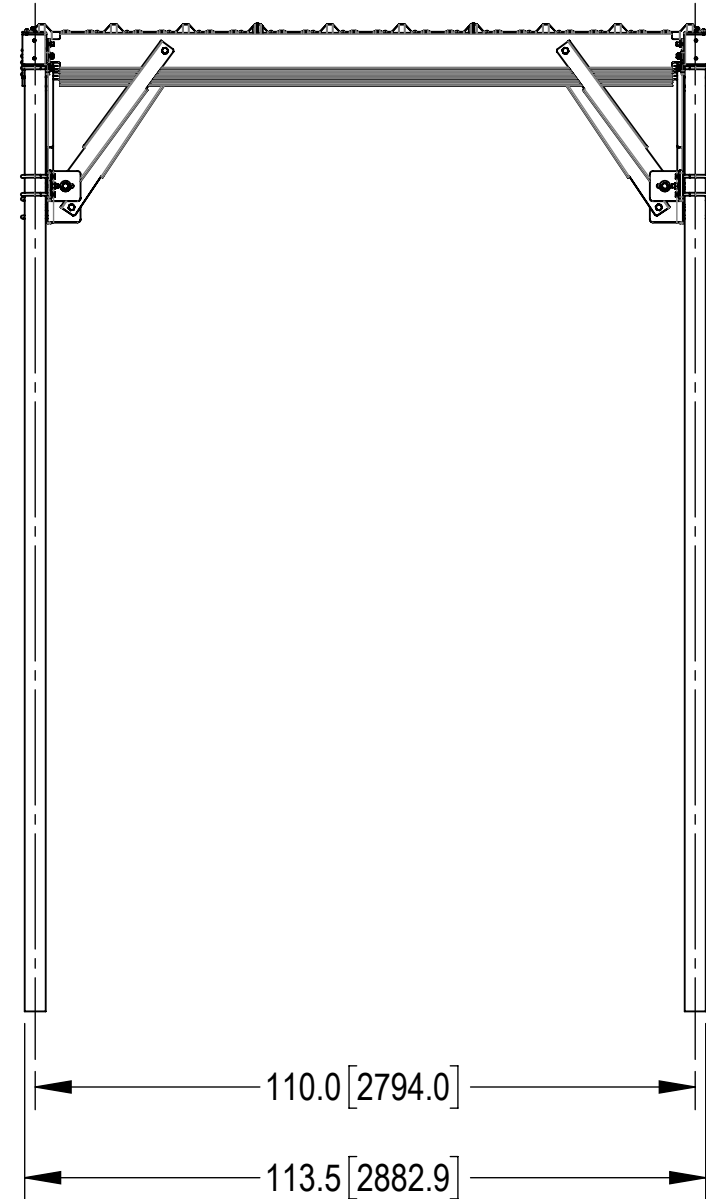
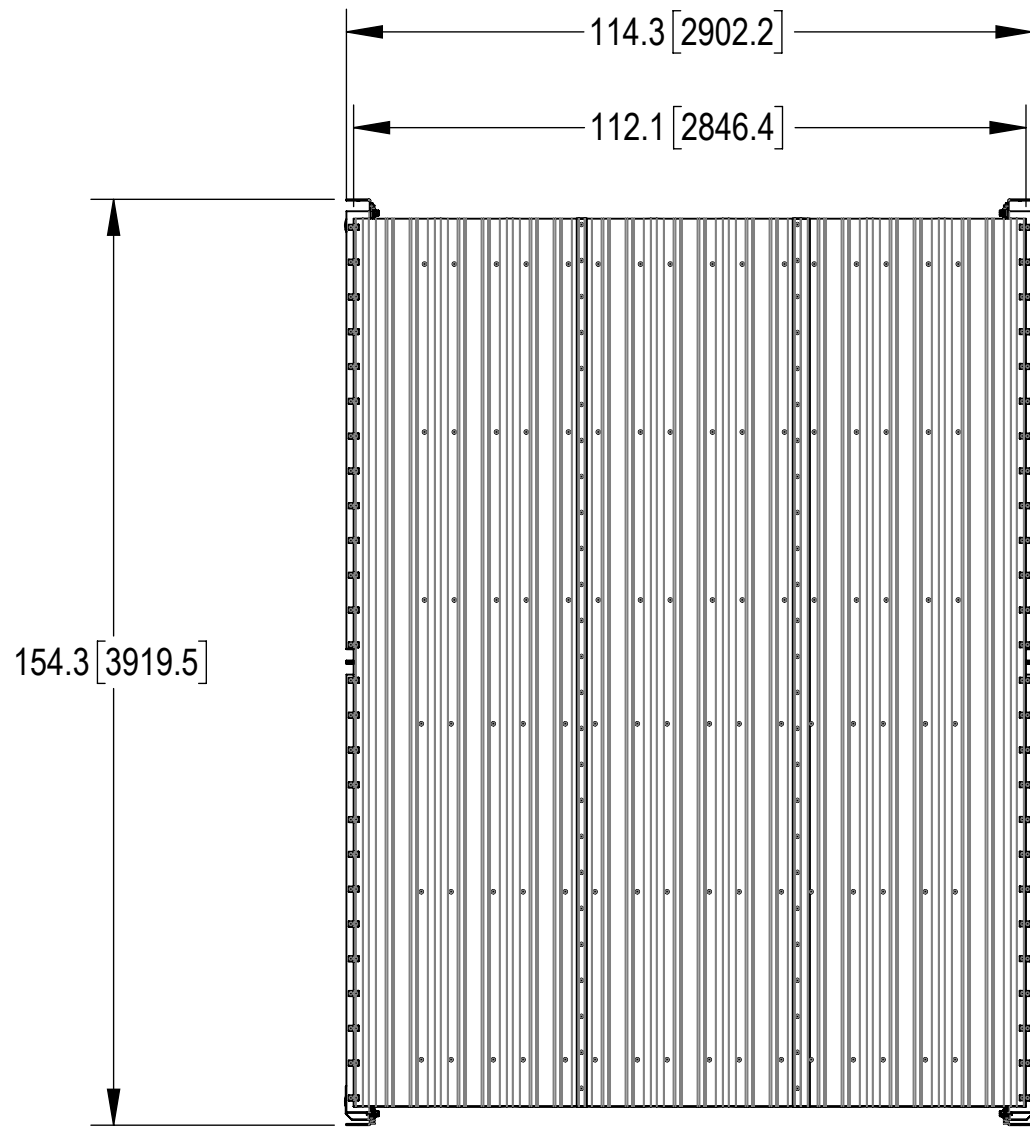
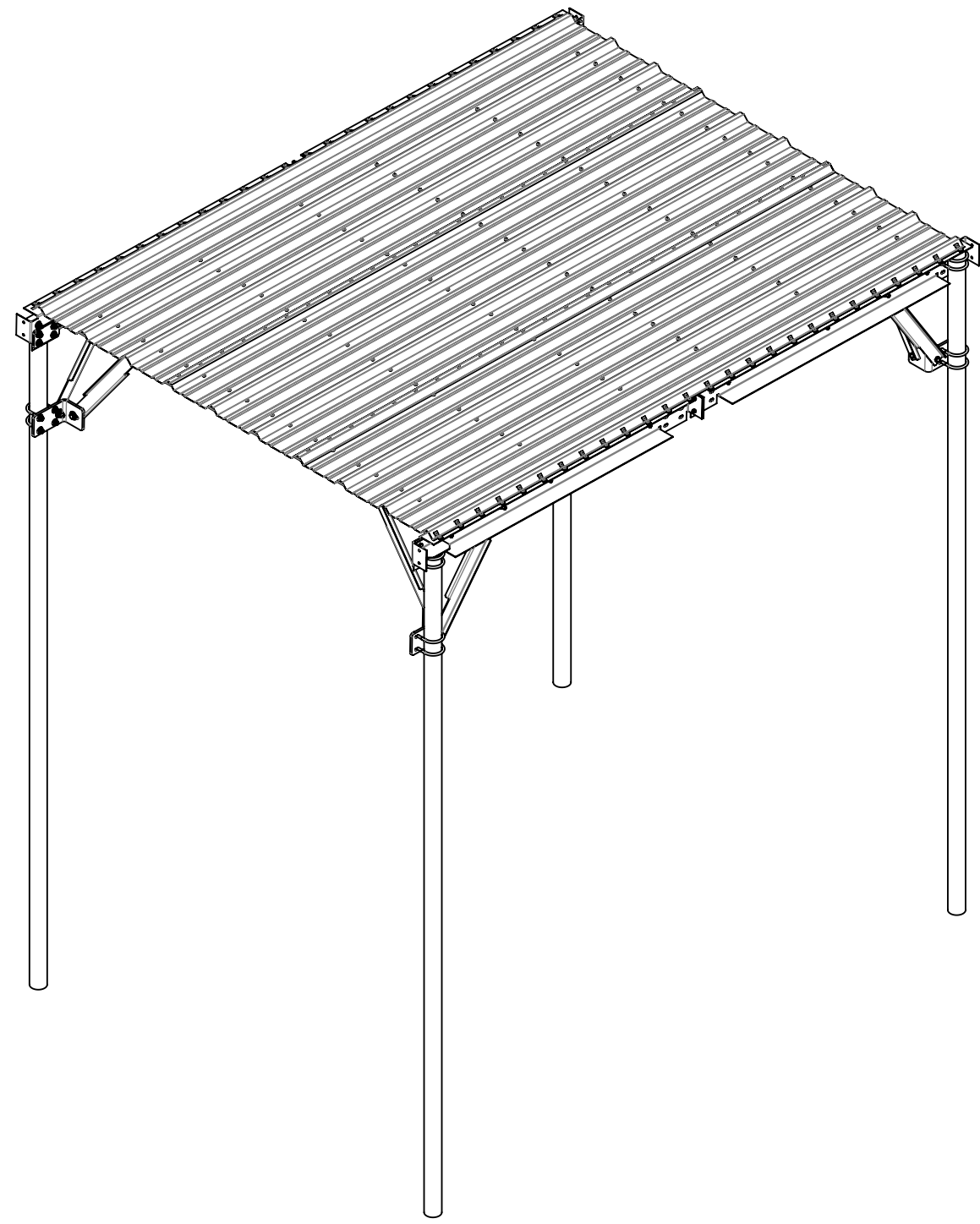


- 1.0 GENERAL NOTES
 1.1 ALL METRIC DIMENSIONS ARE IN BRACKETS [X.X]
 1.2 FOR PATENT INFO: <https://www.cs-pat.com>
- 2.0 DESIGN NOTES
 2.1 ANY HAZARDS OR OBSTRUCTIONS TO THE CLIMBING FACILITY AND SAFETY CLIMB MUST BE IDENTIFIED PRIOR TO INSTALLING THE APPURTENANCE. ADDITIONAL PRODUCTS MAY BE REQUIRED TO MAINTAIN THE INTEGRITY OF THE SAFETY CLIMB. DURING INSTALLATION, TEMPORARY AND/OR PERMANENT PRECAUTIONARY MEASURES SHOULD BE TAKEN TO PRESERVE THE CLIMBING FACILITY AND/OR SAFETY CLIMB.
- 3.0 MANUFACTURING/SPECIAL REQUIREMENTS
 3.1 TIGHTEN ALL BOLTS SECURING FLAT PLATES BY THE TURN-OF-NUT METHOD. TIGHTEN ALL U-BOLTS USING TURN-OF-NUT METHOD WITH ATTENTION TO LEAVE EQUAL DISTANCE AND EQUAL FORCE ON EACH LEG OF THE U-BOLT.
- 4.0 TEST
- 5.0 PACKAGING
 5.1 PACKAGING SHALL MEET COMMScope REQUIREMENTS PER DOCUMENT IS-PL-3005
 5.2 PRINTED DOCUMENT TO BE PLACED INSIDE POLYBAG AND THEN IN SHIPPING CONTAINER
 5.3 EXTRA HARDWARE MAYBE SUPPLIED, BAGGED AND SHIPPED

REVISIONS			
REV.	DESCRIPTION	DATE	APPROVED
A	INITIAL RELEASE	JL1183 15JUN23	YW1047 40173559CMO
B	GB-03145FT WAS GB-03145; GB-05205FT WAS GB-05205; GB-04145 WAS GB-04165;	JL1183 30AUG23	YW1047 40178172CMO
C	UPDATED PACKING VIEW; GB-03105 WAS GB-03145FT	JL1183 12SEP23	YW1047 40179133CMO



COMMScope, INC. OF NORTH CAROLINA									
TOLERANCES					SAP MATERIAL MASTER				
1 PLACE .X[X] ± 0.2[6.3]		3 PLACE .XXX[X] ± 0.060[1.5]			EQ-P0912-RC-B				
2 PLACE .XX[X] ± 0.12[3.0]		ANGLES ± 2°							
FINISH					MATERIAL				
CANOPY RAIN 9X12 ROUNDPIPE DIRECT BURIED									
DENSITY		MASS		VOLUME		SURFACE AREA		HEIGHT	
840.51		840.51		2958.48		77223.62		154.3[3919.5]	
lbs/in³		lbs		in³		in²		LENGTH	
								163.3[4147.0]	
								WIDTH	
								114.3[2902.2]	
UNLESS OTHERWISE SPECIFIED DIMENSIONS ARE IN INCHES INTERPRET PER ANSI Y 14.5M-1994									
NAME		DATE		TITLE					
CE JL1183		15JUN23		EQ-P0912-RC-B					
RW JL1183		09/20/2023							
AD YW1047		09/24/2023							
RE JL1183		10/11/2023							
ECN 40179133CMO									
SCALE		DOCUMENT NO.							
2:1		EQ-P0912-RC-B							
SIZE		Auth Group		INSL		MODEL		DRAWING	
C		INS		INS		MODEL		DRAWING	
VERSION		STATUS		REVISION		VERSION		STATUS	
02		RE		C		02		RE	
REVISION		REVISION		REVISION		REVISION		REVISION	
C		C		C		C		C	
SHEET 1 OF 5									



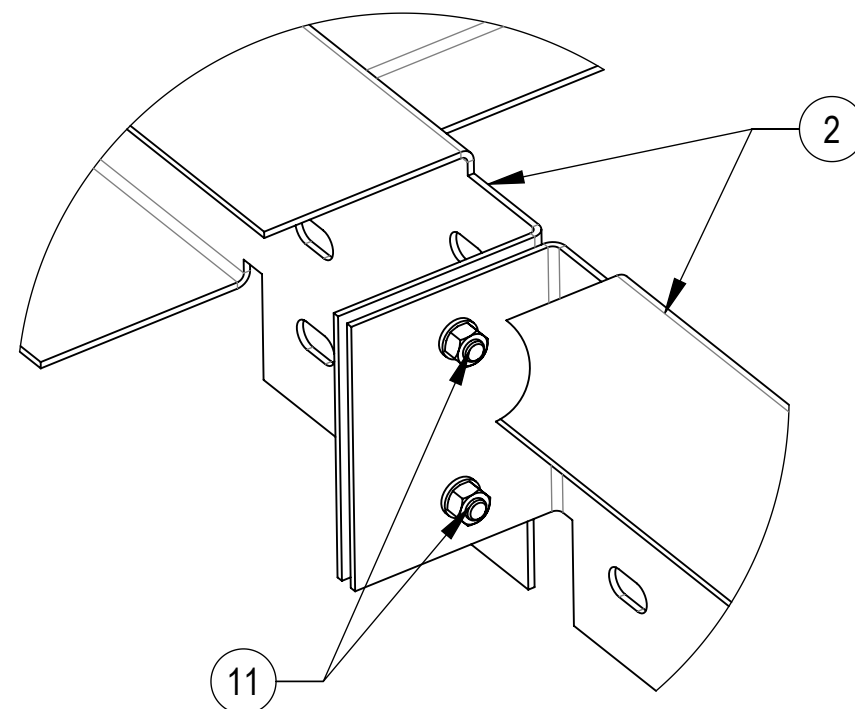
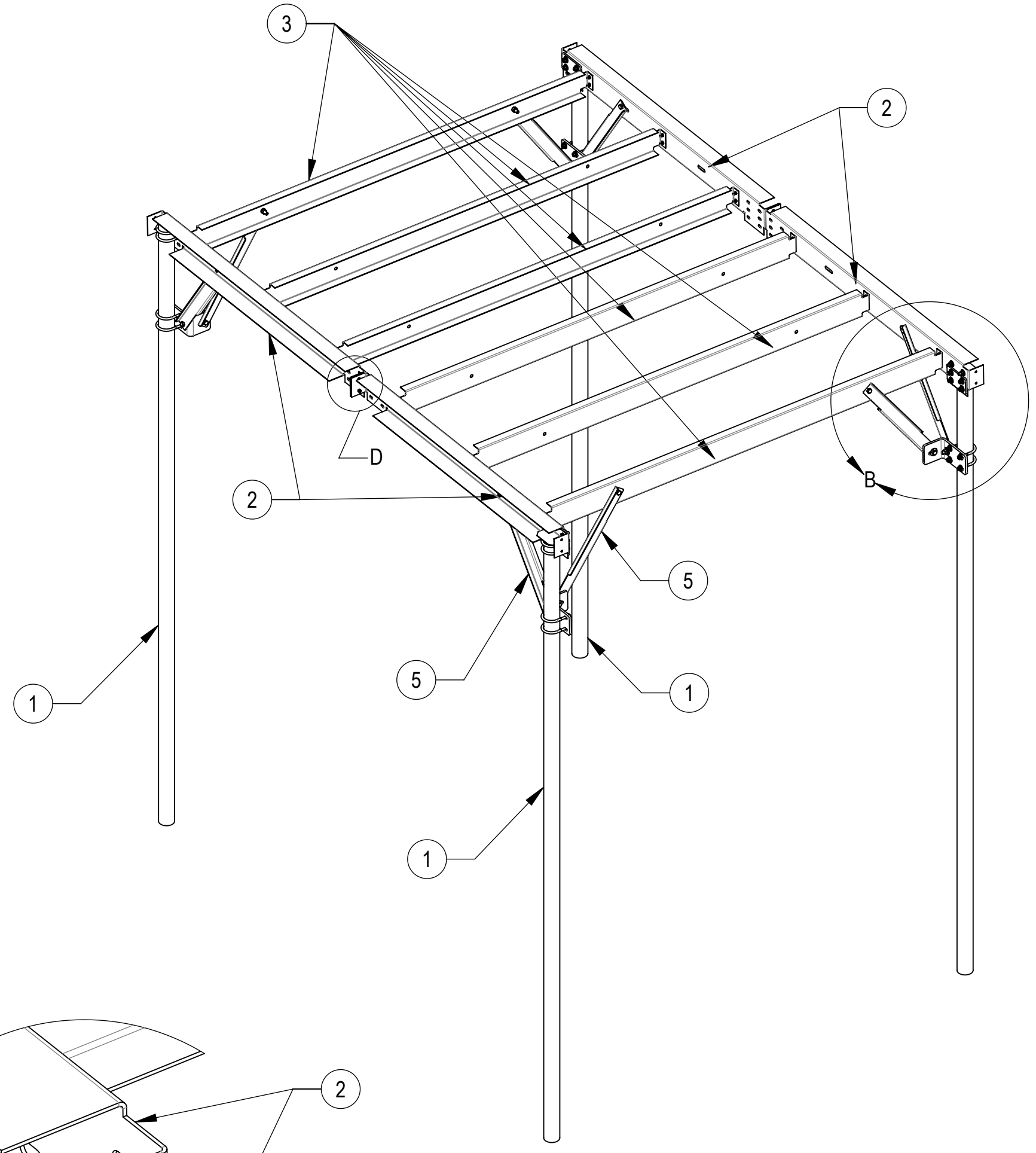
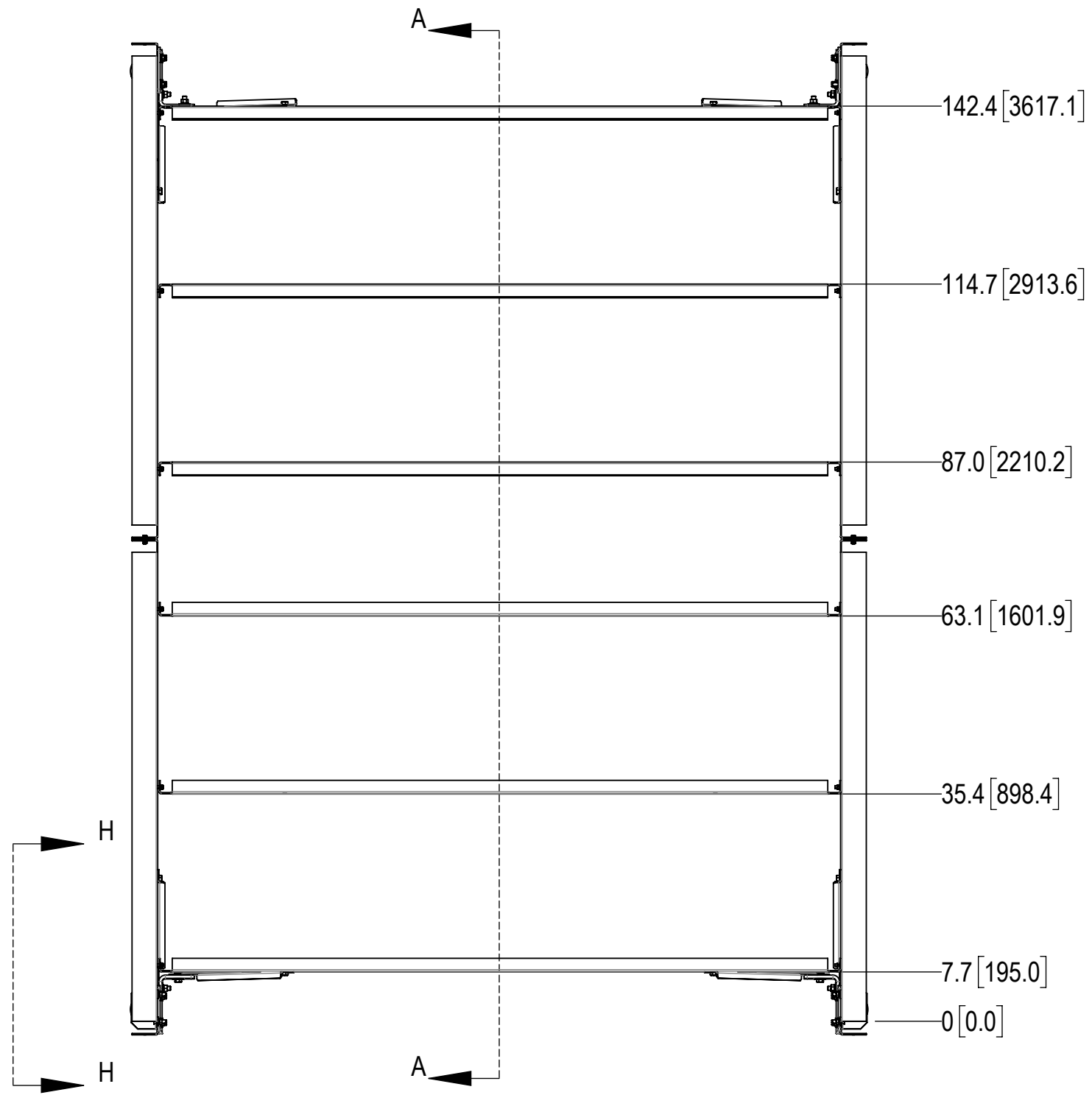
COMPONENT PART NUMBERS PROVIDED FOR ASSEMBLY PURPOSES;
INDIVIDUAL COMPONENTS MAY BE SHIPPED AS PARTS WITHIN AN INCLUDED KIT.

ITEM NO.	PART NUMBER	DESCRIPTION	QTY.	WEIGHT	NOTE NO.
1	MF-130	3.5" O.D. X 13'-4" DIRECT BURIAL PIPE COLUMN	4	57.97 LBS	
2	MTC4130-1000-00	OUTER CHANNEL, ROOF SUPPORT	4	34.54 LBS	
3	MTC4130-2000-00	CANOPY CENTER CHANNEL	6	34.26 LBS	
4	RDR2636148	ROOF DECKING PBR 26 GA 36" X 148"	3	43.72 LBS	
5	MTC4130-3000-00	CANOPY BRACE	8	6.52 LBS	
6	MTC4130-4000-00	CANOPY BRACE ADAPTER	4	9.16 LBS	
7	MTC4130-5000-00	PLATE, CANOPY RAIN	4	2.76 LBS	
8	MTC4130-6000-00	HEIGHT ADJUSTMENT BRACKET	2	1.26 LBS	
9	GUB-4355	1/2" X 3-5/8" X 5" GALV U-BOLT	16	0.71 LBS	
10	GB-04145	1/2" X 1-1/2" GALV BOLT KIT	4	0.13 LBS	
11	GB-03105	3/8" X 1" GALV BOLT KIT	28	0.05 LBS	
12	GB-05205FT	5/8" X 2" GALV BOLT KIT	16	0.26 LBS	
13	GWF-04	1/2" GALV FLAT WASHER	4	0.04 LBS	
14	GWF-05	5/8" GALV FLAT WASHER, 1.70D	12	0.06 LBS	
15	MTC3799C26	CLIP, RDR PANEL	52	0.05 LBS	
16	MTC371531	1/4-14X7/8 SELF DRILLING HEX HEAD SCREW	102	0.02 LBS	
17	TS1275	TEK SCREW #12 X 3/4, WITH NEOPRENE WASHER	148	0.02 LBS	

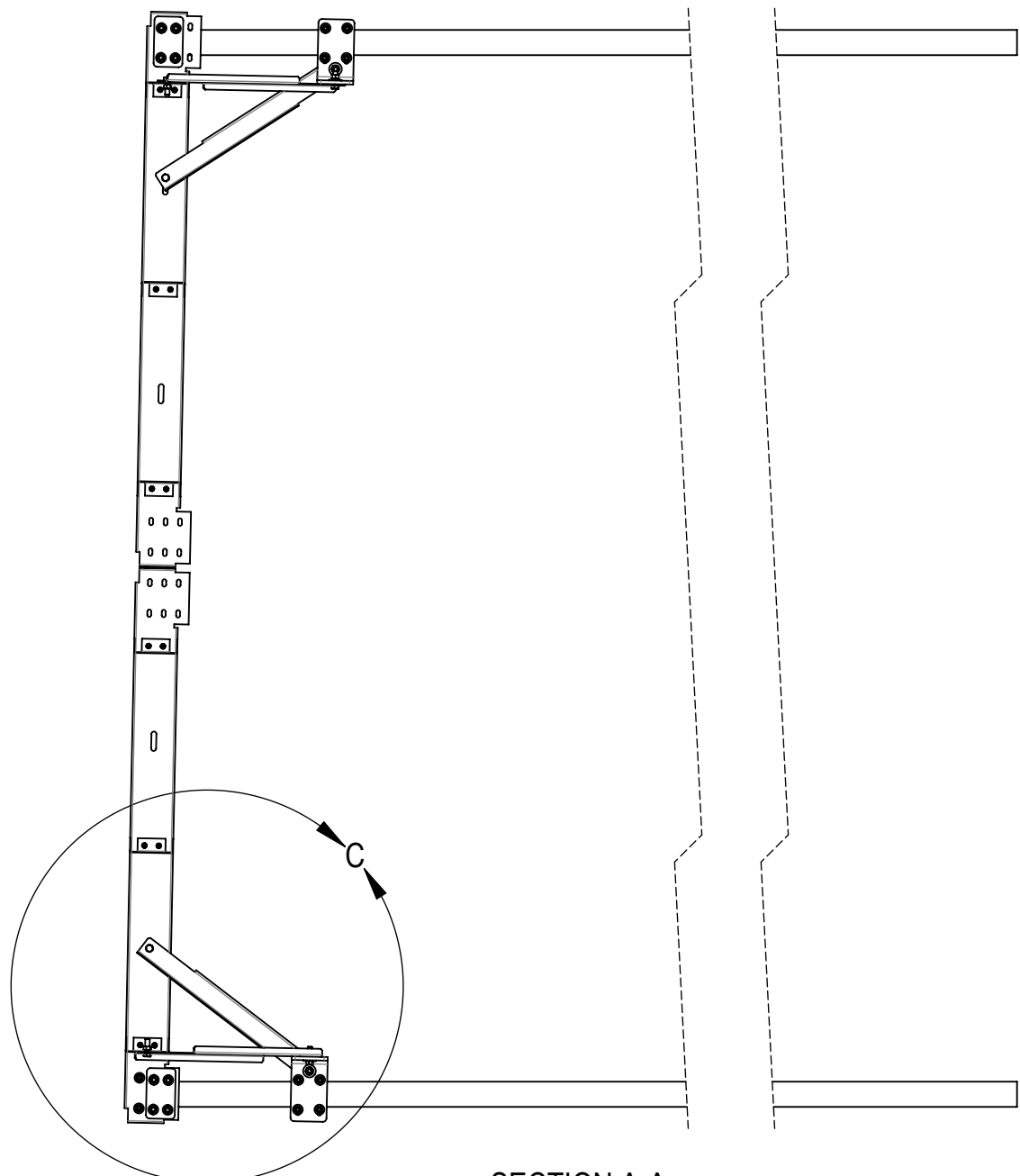
COMMSCOPE, INC. OF NORTH CAROLINA				
TITLE CANOPY RAIN 9X12 ROUNDPIPE DIRECT BURIED				
SIZE C	SCALE 1:32	DOCUMENT NO. EQ-P0912-RC-B		
		DRAWING		SHEET 2 OF 5
		VERSION 02	STATUS RE	

© 2023 CommScope, Inc. Confidential

HIDDEN ROOF DECKING FOR CLARITY

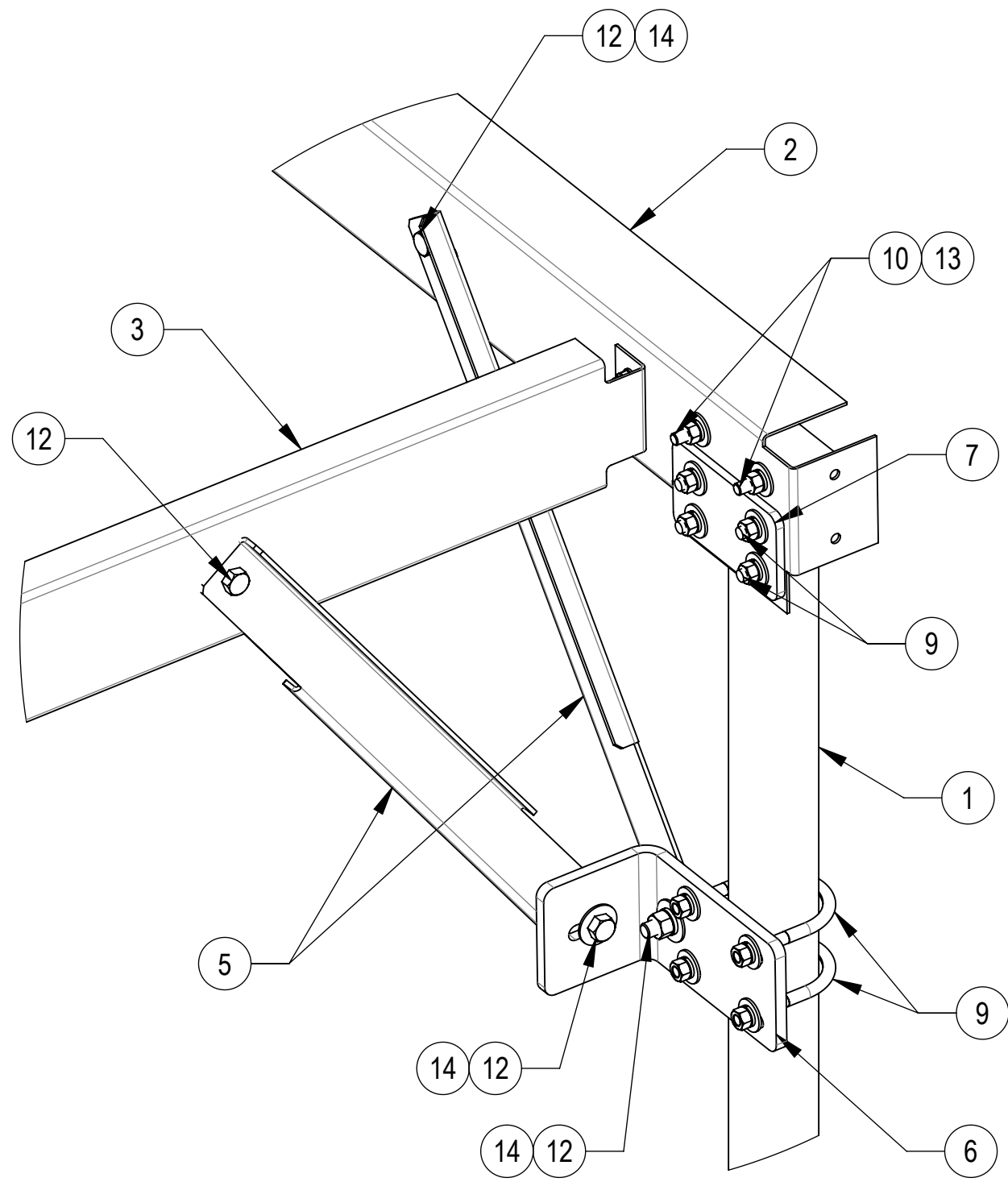


DETAIL D
SCALE 1 : 3

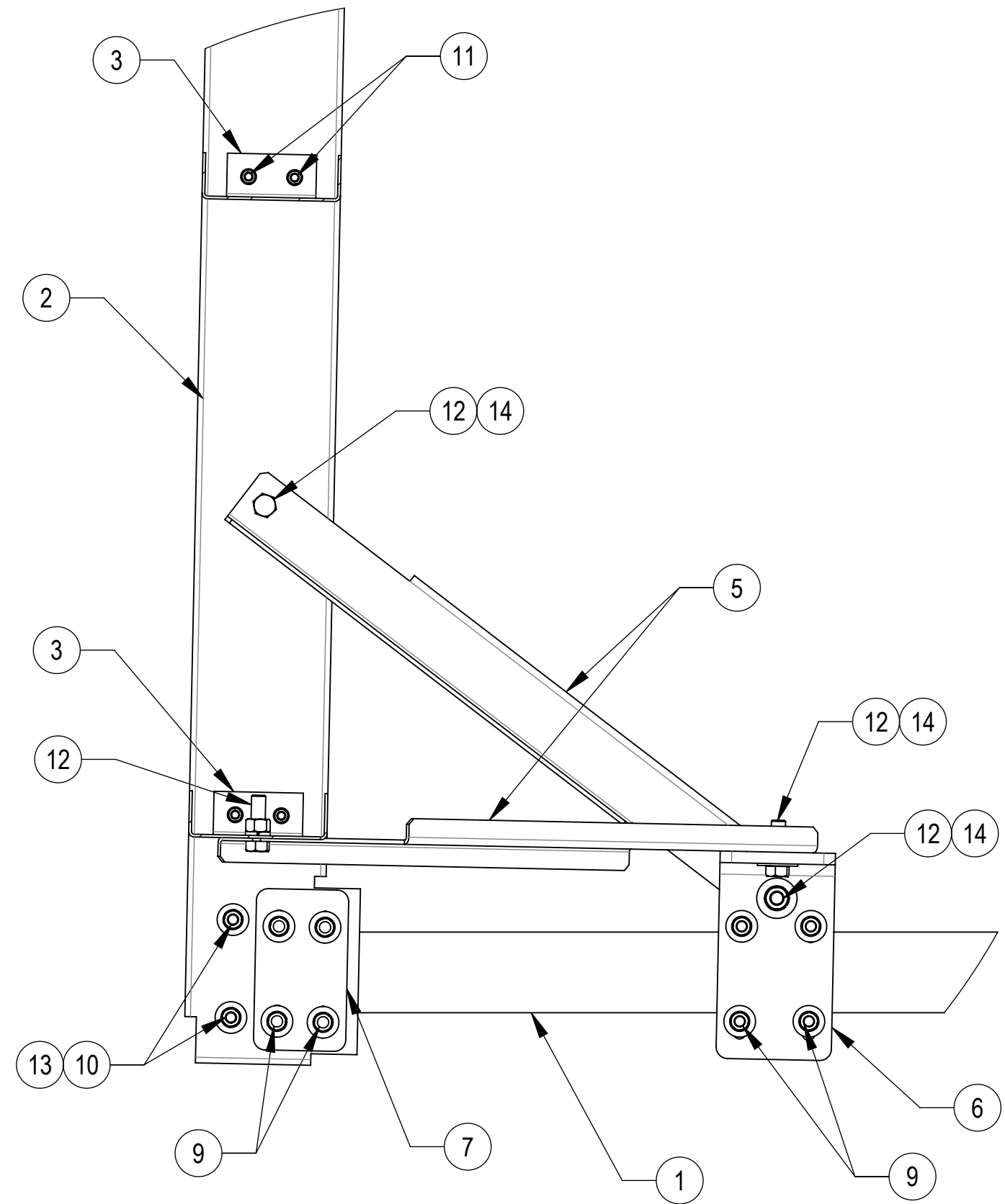


SECTION A-A
SCALE 1 : 24

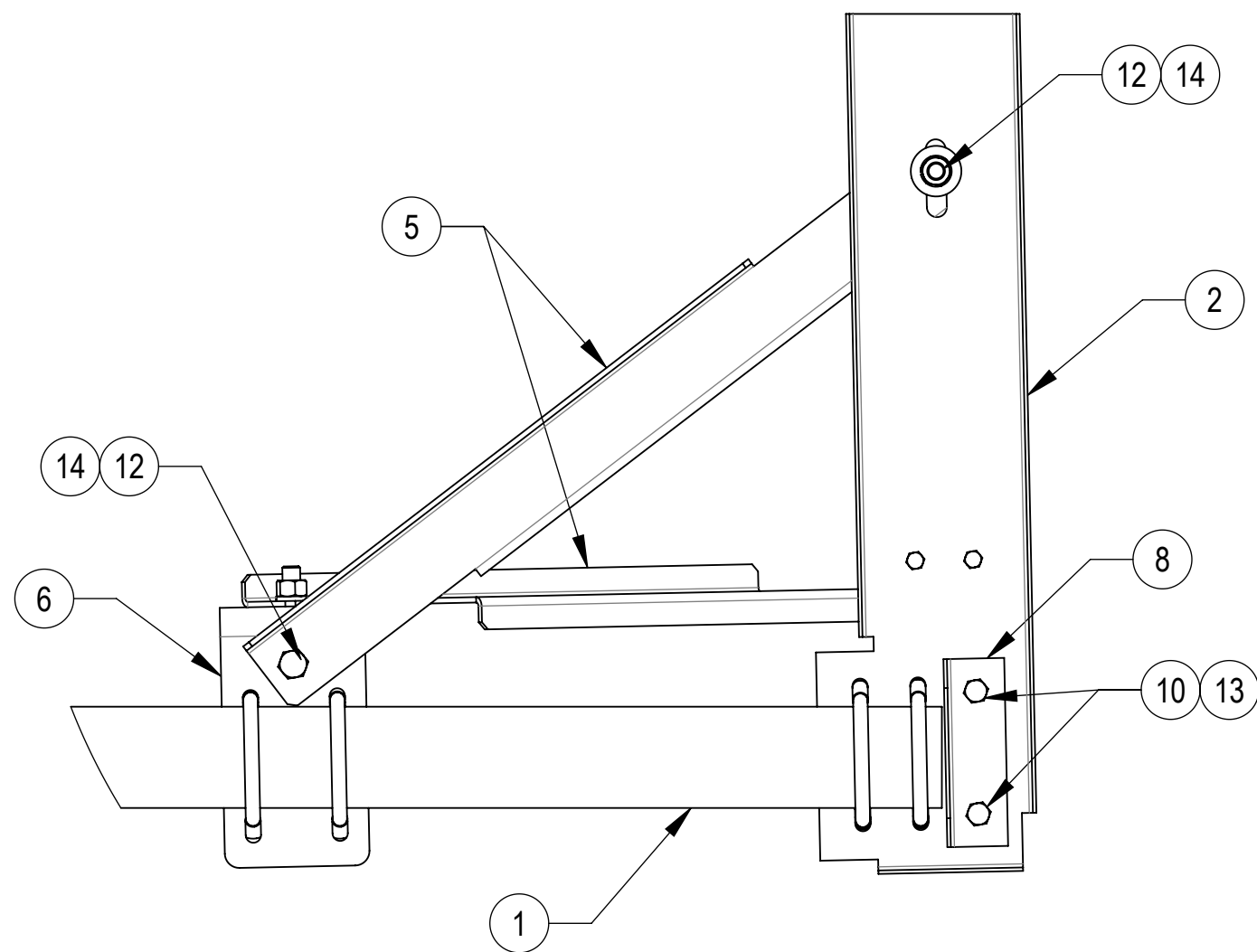
COMMSCOPE, INC. OF NORTH CAROLINA				
TITLE CANOPY RAIN 9X12 ROUNDPIPE DIRECT BURIED				
SIZE C	SCALE 1:32	DOCUMENT NO. EQ-P0912-RC-B		
		DRAWING		SHEET
		VERSION	STATUS	REVISION
		02	RE	C
				3 OF 5



DETAIL B
SCALE 1:6



DETAIL C
SCALE 1:6



SECTION H-H
SCALE 1:6

COMMSCOPE, INC. OF NORTH CAROLINA				
TITLE CANOPY RAIN 9X12 ROUNDPIPE DIRECT BURIED				
SIZE C	SCALE 1:32	DOCUMENT NO. EQ-P0912-RC-B		
		DRAWING		SHEET
		VERSION	STATUS	REVISION
		02	RE	C
				4 OF 5

4

3

2

1

D

D

C

C

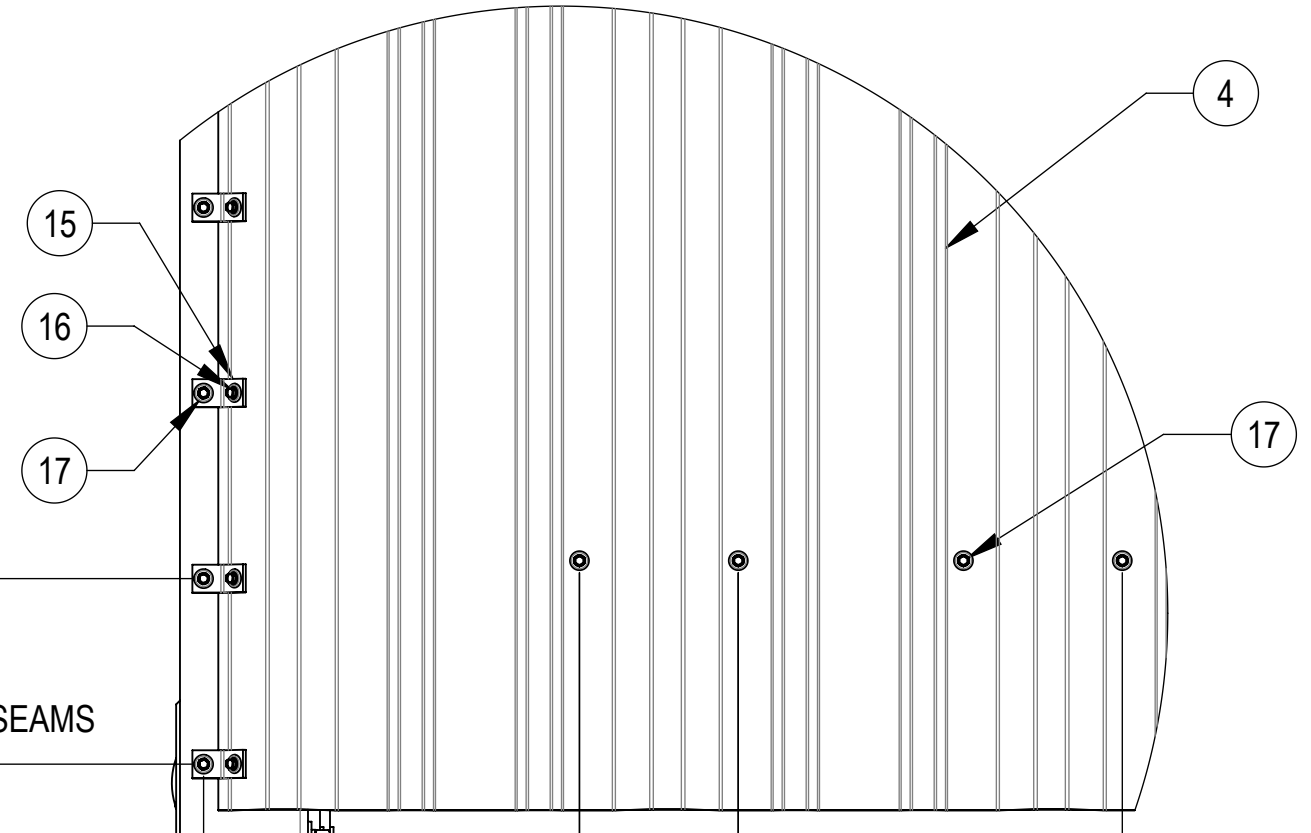
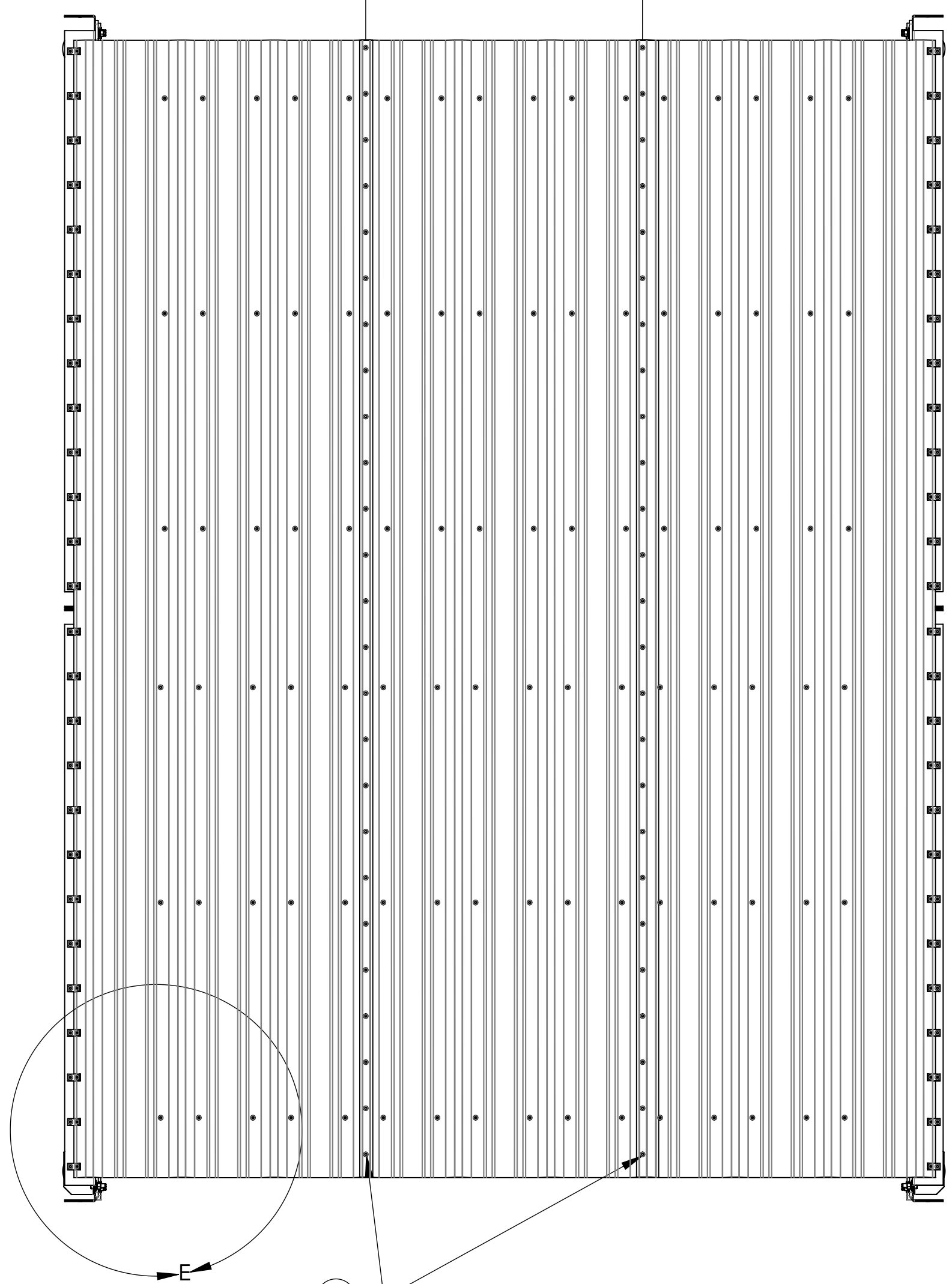
B

B

A

A

36.0 [914.4]



DETAIL E
SCALE 1 : 6

COMMScope, INC. OF NORTH CAROLINA				
TITLE CANOPY RAIN 9X12 ROUNDPIPE DIRECT BURIED				
SIZE C	SCALE 1:32	DOCUMENT NO. EQ-P0912-RC-B		
		DRAWING		SHEET
		VERSION	STATUS	REVISION
		02	RE	C
				5 OF 5

© 2023 CommScope, Inc. Confidential

4

3

2

1

