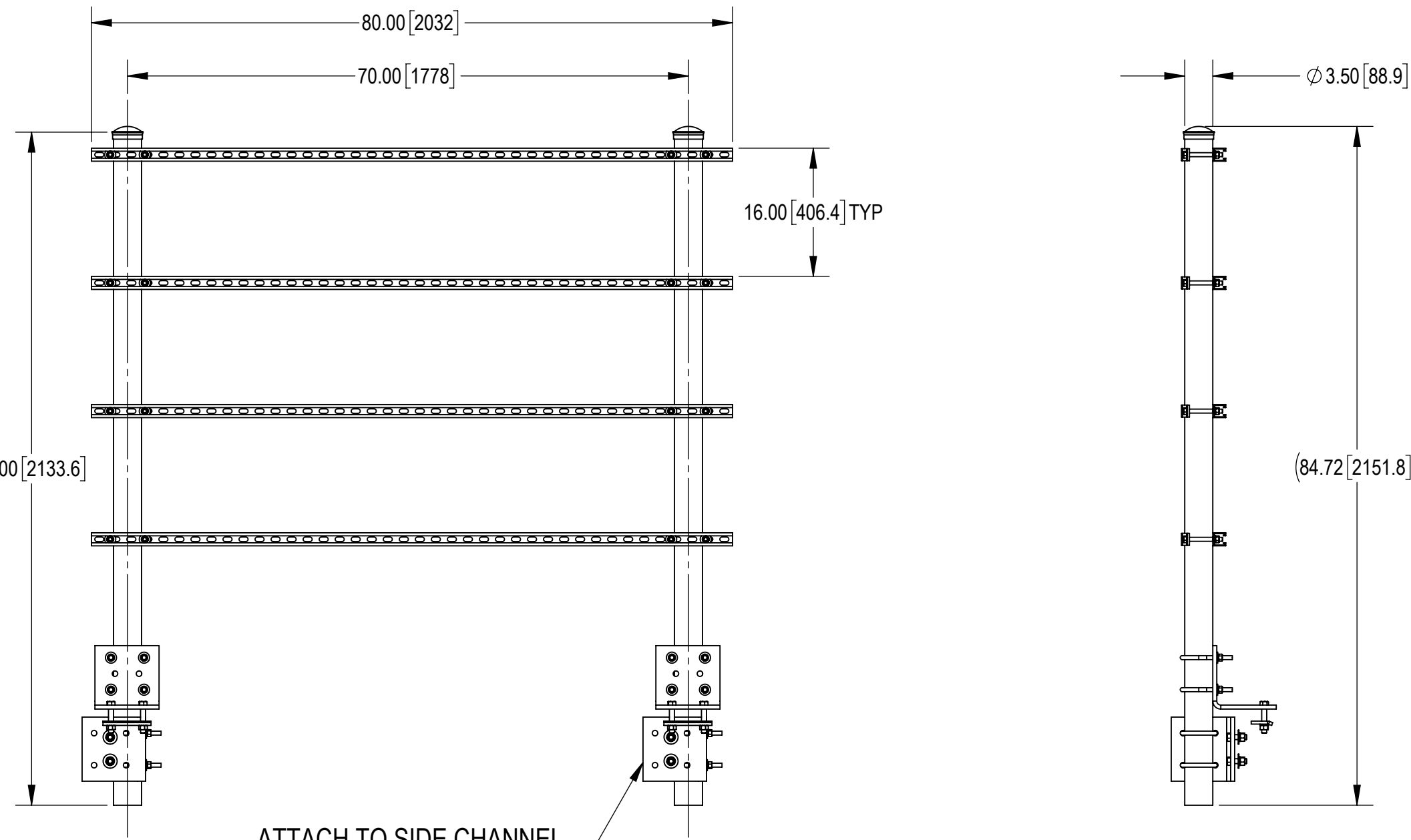
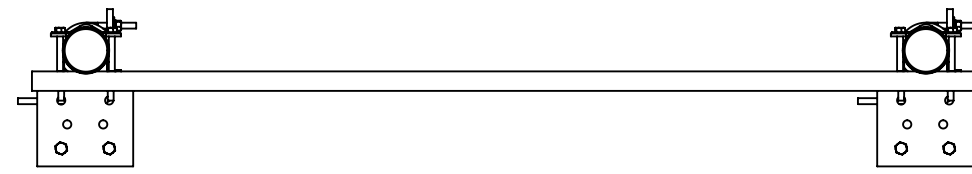
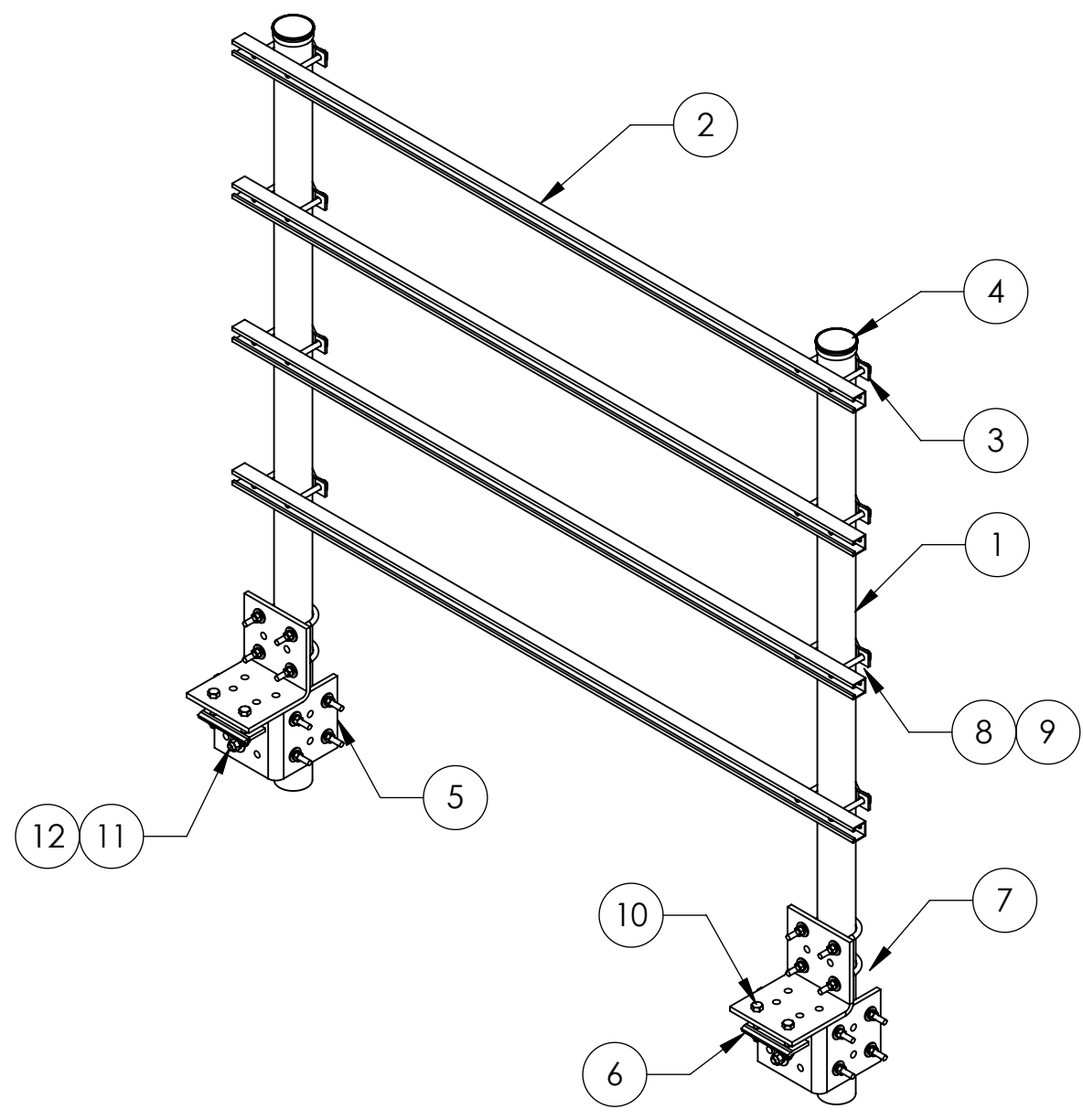


- 1.0 GENERAL NOTES
 1.1 ALL METRIC DIMENSIONS ARE IN BRACKETS [X. X]
 1.2 FOR PATENT INFO: <https://www.cs-pat.com>
 2.0 DESIGN NOTES
 3.0 MANUFACTURING/SPECIAL REQUIREMENTS
 3.1 TIGHTEN ALL BOLTS SECURING FLAT PLATES BY THE TURN-OF-NUT METHOD. TIGHTEN ALL U-BOLTS USING TURN-OF-NUT METHOD WITH ATTENTION TO LEAVE EQUAL DISTANCE AND EQUAL FORCE ON EACH LEG OF THE U-BOLT.
 4.0 TEST
 5.0 PACKAGING
 5.1 PACKAGING SHALL MEET COMMSCOPE REQUIREMENTS PER DOCUMENT IS-PL-3005
 5.2 PRINTED DOCUMENT TO BE PLACED INSIDE POLYBAG AND THEN IN SHIPPING CONTAINER
 5.3 EXTRA HARDWARE MAYBE SUPPLIED, BAGGED AND SHIPPED

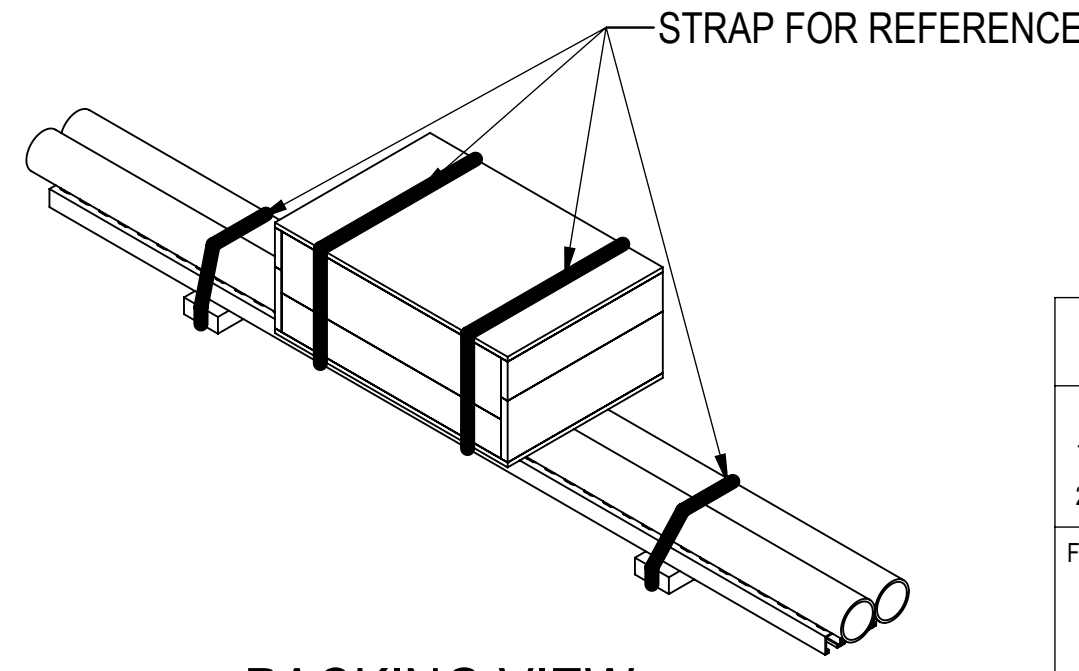
REVISIONS			
REV.	DESCRIPTION	DATE	APPROVED
A	INITIAL RELEASE	ACG 15MAR05	TP
B	REPLACE GWF-05 WITH MT389	ACG 24AUG05	TP
C	UPDATE 5/8" HARDWARE	MSM 02AUG13	TP
D	ADDED PACKAGING VIEW, CHANGED BOM ITEM 9 QUANTITY, REPLACE ITEMS 11 & 12	LS1146 28JUL23	BCROSS 40176129CMO



ATTACH TO SIDE CHANNEL



ATTACH UNDER GRATING



PACKING VIEW

COMPONENT PART NUMBERS PROVIDED FOR ASSEMBLY PURPOSES;
 INDIVIDUAL COMPONENTS MAY BE SHIPPED AS PARTS WITHIN AN INCLUDED KIT

ITEM	PART NO.	DESCRIPTION	QTY.	WEIGHT	NOTE NO.
1	MT54784	3½" O.D. X 7' GALV. PIPE	2	52.75 LBS	
2	MT50480	1-5/8" SQ. SUPPORT RAIL 80" LONG	4	12.49 LBS	
3	ACP10	1.5" - 3.5" O.D. CLAMP HALF	8	0.61 LBS	
4	PC-034	PIPE CAP 3-1/2"	2	0.66 LBS	
5	MTC7902TR01	POST BRACKET	4	16.37 LBS	
6	MTC7902AL07	PINCH PLATE	2	1.60 LBS	
7	GUB-4356	1/2" X 3-5/8" X 6" GALV U-BOLT	8	0.81 LBS	
8	GB-04445	1/2" X 4-1/2" GALV BOLT KIT	16	0.30 LBS	
9	GWF-04	1/2" GALV FLAT WASHER	32	0.04 LBS	
10	GB-05345	5/8" X 3-1/2" GALV BOLT KIT	4	0.39 LBS	
11	GB-05205	5/8" X 2" GALV BOLT KIT	4	0.26 LBS	
12	GWF-05	5/8" GALV FLAT WASHER, 1.70D	4	0.06 LBS	

DENSITY		lbs/in ³
MASS	248.88	lbs
VOLUME	882.01	in ³
SURFACE AREA	9116.56	in ²
HEIGHT	84.71"	
LENGTH	81.17"	
WIDTH	13.11"	

COMMSCOPE, INC. OF NORTH CAROLINA

TOLERANCES		SAP MATERIAL MASTER	
1 PLACE .X[X] ± 0.06[1.5]	3 PLACE .XXX[X] ± 0.010[0.3]	EQ-PPC	
2 PLACE .XX[X] ± 0.03[0.8]	ANGLES ± 2°		
FINISH		MATERIAL	
UNLESS OTHERWISE SPECIFIED DIMENSIONS ARE IN INCHES INTERPRET PER ANSI Y 14.5M-1994		TITLE	
CE	ACG	DATE	17FEB05
RW	LS1146	DATE	07/30/2023
AD	BCROSS	DATE	08/01/2023
RE	YMENG	DATE	08/09/2023
ECN 40176129CMO		TELCO RACK FOR EQUIPMENT PLATFORMS	
SCALE		DOCUMENT NO.	
1:24		EQ-PPC	
SIZE	Auth Group	INSL	MODEL
C			VERSION STATUS REVISION
			01 IW D
		DRAWING	
		VERSION STATUS REVISION	SHEET
		01 RE D	1 OF 1