

# SFG22-12-3-96



G22 High Capacity Sector Frame, 12.5 ft face, includes three 96 in pipes;  
For patents, see [www.cs-pat.com](http://www.cs-pat.com).

## OBSOLETE

This product was discontinued on: **March 22, 2023**

### Replaced By:

SFG22HD-12-4-96

G22HD High Capacity Sector Frame with 2 7/8in OD x 12.5ft face. Includes four 2 3/8in OD x 96in antenna pipes.

## Product Classification

**Product Type** High capacity Tower sector frame

## General Specifications

**Application** 4G LTE antenna/radio mount

**Mounting** Angle 60°, 203.2 mm (8 in) | Straight or tapered legs up to 203.2 mm (8 in) OD

**Patent Number** Patent pending

**Pipe, quantity** 3

**Tower Taper** Non-tapered | Tapered

## Dimensions

**Height** 2,438.4 mm | 96 in

**Face Width** 3.81 m | 12.5 ft

**Width** 3,810 mm | 150 in

**Pipe Length** 2,438.4 mm | 96 in

**Face Support Pipe Diameter** 60.325 mm | 2.375 in

**Mounting Diameter, maximum** 218.44 mm | 8.6 in

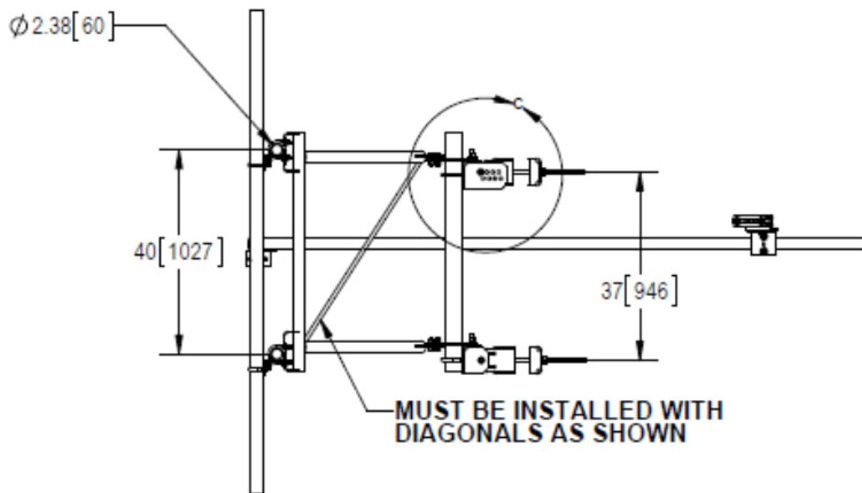
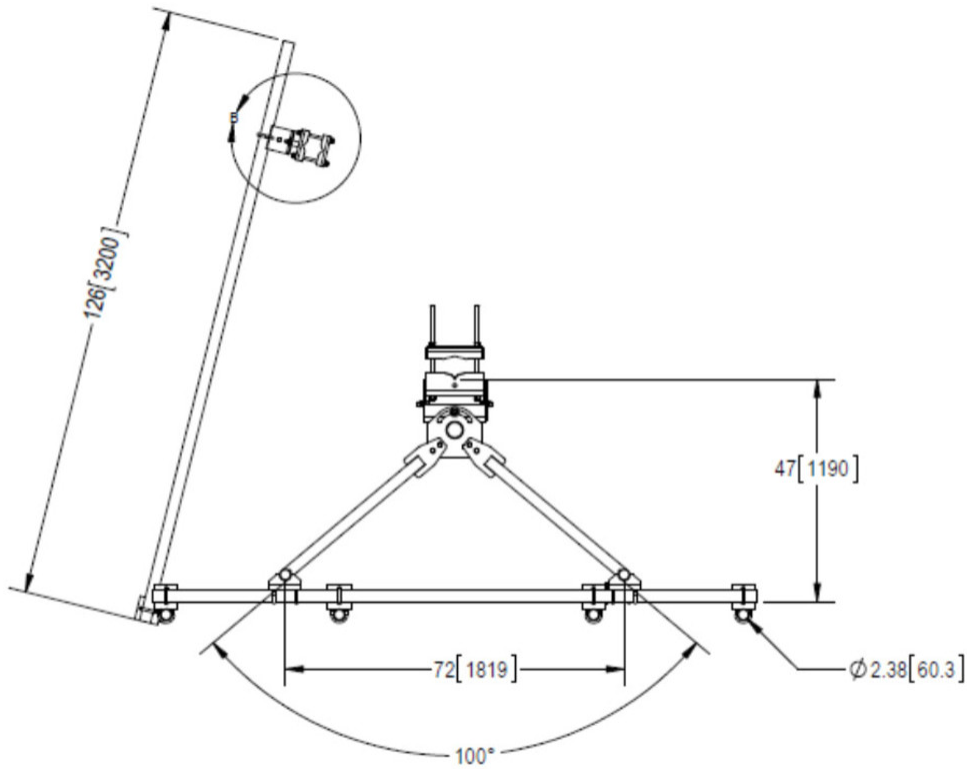
**Mounting Diameter, minimum** 38.1 mm | 1.5 in

**Pipe Outer Diameter** 60.325 mm | 2.375 in

**Stand-off Distance** 1,193.8 mm | 47 in

# SFG22-12-3-96

## Outline Drawing



## Material Specifications

### Material Type

Hot dip galvanized steel

# SFG22-12-3-96

---

## Mechanical Specifications

<b>Load Capacity</b>	With additional stiff arm at 300 ft AGL: 600 lb per pipe w/out ice / 1775 lb per pipe including ice
<b>Wind Rating</b>	For Specifications, please contact your local ANDREW representative
<b>Wind Rating Test Method</b>	TIA/EIA-222-G
<b>Wind Rating with Additional Stiff Arm</b>	300 ft AGL: 120 mph (BWS) without ice /60 mph with ice

## Packaging and Weights

<b>Included</b>	Frame   Pipe mounts   Plain end pipes (3)   Stiff arm   Tower attachment
<b>Packaging quantity</b>	1
<b>Weight, net</b>	219.357 kg   483.6 lb

## Regulatory Compliance/Certifications

<b>Agency</b>	<b>Classification</b>
CHINA-ROHS	Above maximum concentration value
ISO 9001:2015	Designed, manufactured and/or distributed under this quality management system
ROHS	Compliant/Exempted
UK-ROHS	Compliant/Exempted



## \* Footnotes

<b>Wind Rating</b>	BWS—Base Wind Speed; FBC—Florida Building Code
<b>Wind Rating with Additional Stiff Arm</b>	BWS—Base Wind Speed; FBC—Florida Building Code