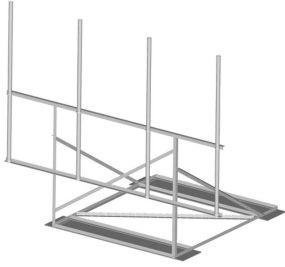


# RF-N10-4-72

---



Non-Penetrating Roof Frame, 10 ft face, four 2-3/8 in OD x 72 in pipes

## OBSOLETE

This product was discontinued on: December 12, 2022

### Replaced By:

RF-NL10-3-72

Non-Penetrating Roof Frame, 10 ft face, three 3-1/2 in OD x 72 in pipes

## Product Classification

**Product Type** Non-penetrating roof frame

## General Specifications

**Mounting** Non-penetrating

**Note** Four 120 in x 8 in panel antennas per sector

**Pipe, quantity** 4

## Dimensions

**Height** 1,828.8 mm | 72 in

**Face Width** 3.2 m | 10.5 ft

**Width** 3,200.4 mm | 126 in

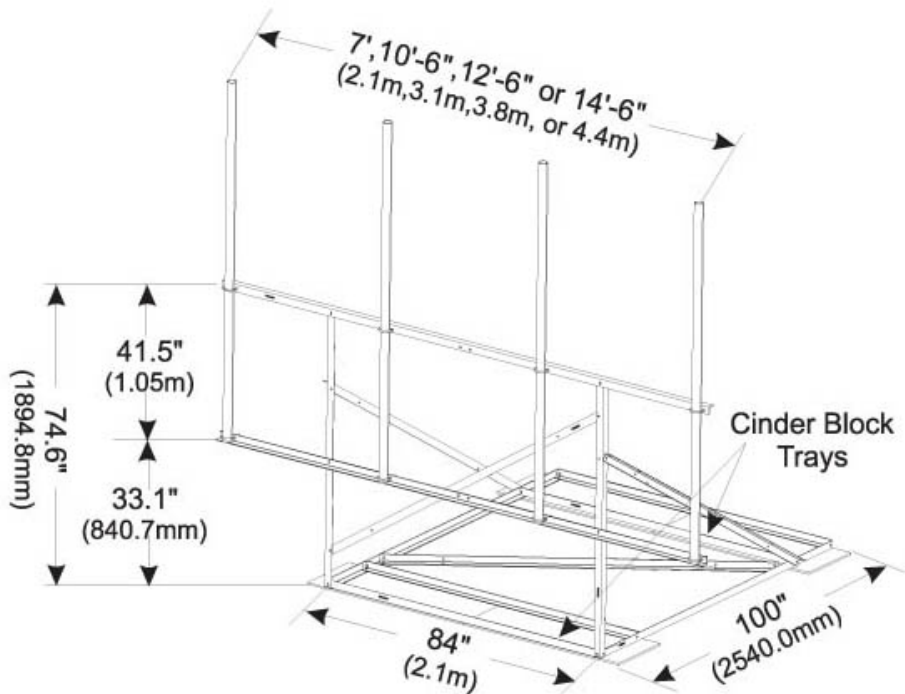
**Length** 2.53 m | 8.3 ft

**Pipe Length** 1,828.8 mm | 72 in

**Pipe Outer Diameter** 60.96 mm | 2.4 in

# RF-N10-4-72

## Outline Drawing



## Material Specifications

**Material Type** Hot dip galvanized steel

## Mechanical Specifications

**Wind Rating** 85 mph (BWS) at 100 ft AGL using Exposure C per UBC

**Wind Rating Test Method** TIA/EIA-222

## Packaging and Weights

**Included** Rubber mats, with or without pipe mounts

**Packaging quantity** 1

**Weight, net** 200.8 kg | 442.688 lb

## Regulatory Compliance/Certifications

Agency	Classification
ISO 9001:2015	Designed, manufactured and/or distributed under this quality management system

# RF-N10-4-72

---



## Included Products

- MT-651 – Plain End Pipe, 2-3/8 in OD x 72 in .120" A500C 46Ksi
- RF-N10-B – Non-Penetrating Roof Frame, 10 ft face, pipe not included

## \* Footnotes

**Wind Rating**                      BWS—Base Wind Speed; FBC—Florida Building Code