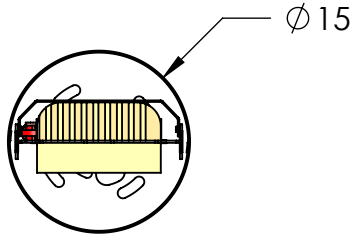
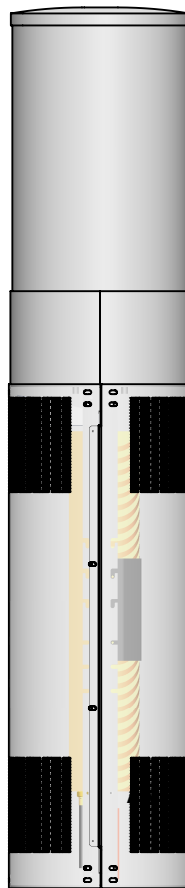
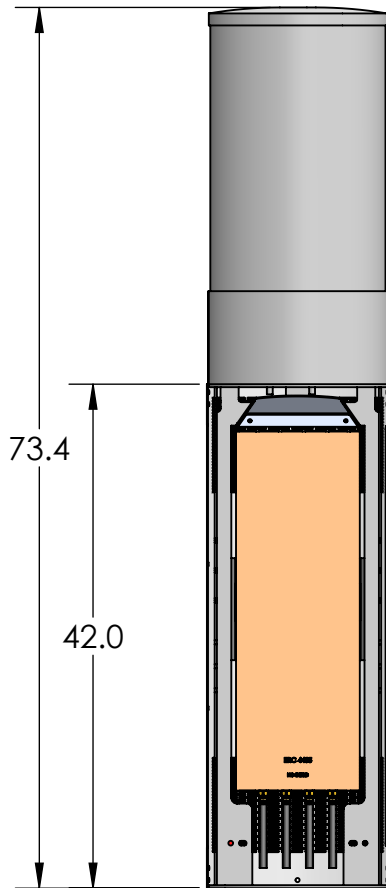
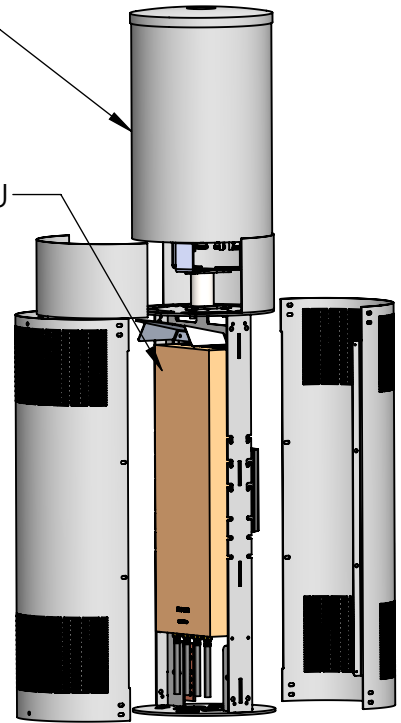


REVISIONS			
REV.	DESCRIPTION	BY	DATE
A	INITIAL RELEASE	MJP	07/07/2023



TYPICAL
CANISTER
ANTENNA

ERC 4455 RRU



These drawings and specifications are the proprietary property of CommScope Inc. and may be used only for the specific purpose authorized in writing by CommScope Inc.

DRAWN BY:
MJP

SHEET:

PART NUMBER:

PT15 760255777E10X LAYOUT-01

CHECKED BY:

SCALE:

DESCRIPTION:

DATE:

MATERIAL:

DRAWING TYPE:

REVISION:

FINISH:

WEIGHT:

ALL DIMENSIONS ARE IN INCHES U.O.S.
TOLERANCES UNLESS OTHERWISE SPECIFIED:
.X = ± .12 ANGLES ±2°
.XX = ± .06 FRACTIONS ±1/32
.XXX = ± .031

REMOVE BURRS AND BREAK EDGES .005

DO NOT SCALE THIS PRINT

COMMSCOPE®