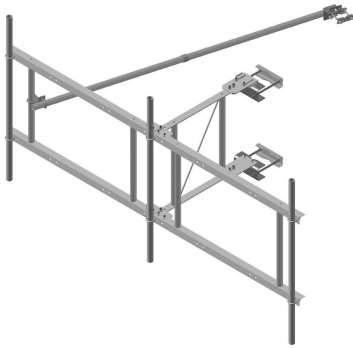


# QT-SF14-B



Quik-Tee® Sector Frame, 14 ft face

## OBSOLETE

This product was discontinued on: July 31, 2015

### Replaced By:

SF-SU14-B

Stand-Off Sector Frame, 14 ft face

## Product Classification

**Product Type** Tower T-Frame Kit

## General Specifications

**Mounting** Angle 60°, 203.2 mm (8 in) | Angle 90°, 152.4 mm (6 in) | Straight or tapered legs up to 203.2 mm (8 in) OD

**Note** Four 72 in x 8 in panel antennas per sector

**Pipe, quantity** 0

**Tower Taper** Non-tapered | Tapered

## Dimensions

**Height** 1016 mm | 40 in

**Face Width** 4.42 m | 14.5 ft

**Width** 4,419.6 mm | 174 in

**Length** 1,219.2 mm | 48 in

**Mounting Diameter, maximum** 203.2 mm | 8 in

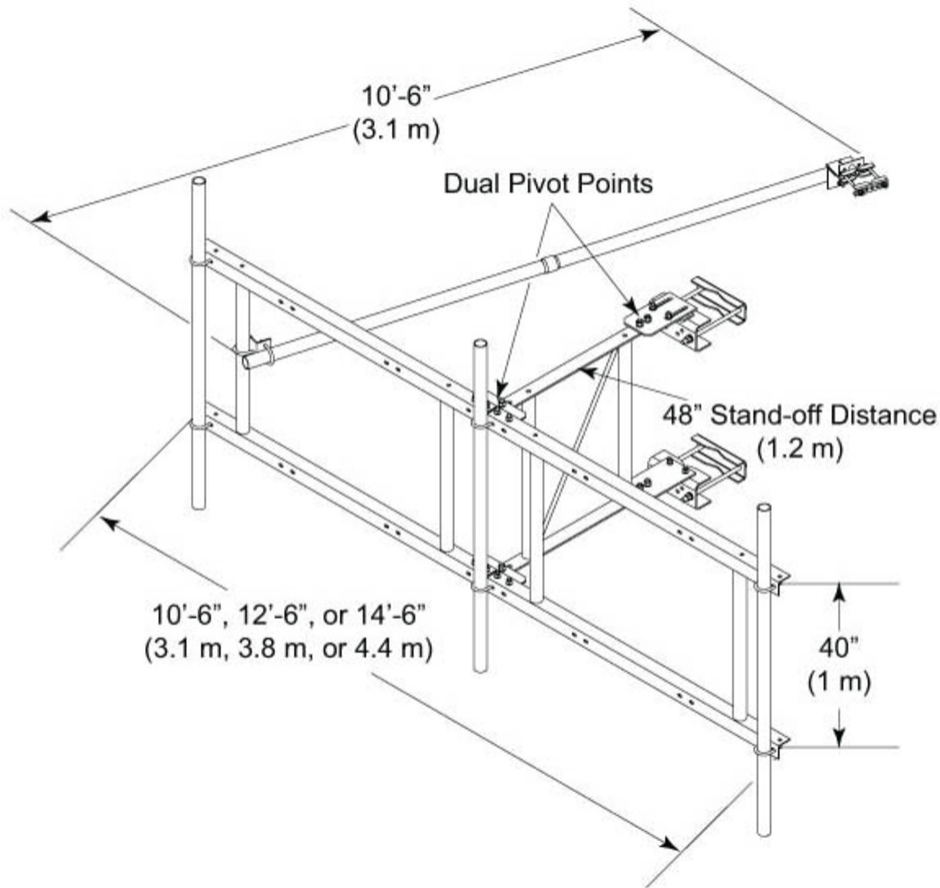
**Mounting Diameter, minimum** 0 mm | 0 in

**Pipe Outer Diameter** 60.96 mm | 2.4 in

**Stand-off Distance** 1,219.2 mm | 48 in

# QT-SF14-B

## Outline Drawing



## Material Specifications

**Material Type** Hot dip galvanized steel

## Mechanical Specifications

**Wind Rating** 90 mph (BWS) at 150 ft AGL

**Wind Rating Test Method** TIA/EIA-222

**Wind Rating with Additional Stiff Arm** 120 mph (BWS) at 150 ft AGL | 140 mph (3-second gust) at 150 ft AGL using Exposure D per FBC

## Environmental Specifications

**EPA with 1/2 in (12 mm) radial ice** 1.914 m<sup>2</sup> | 20.6 ft<sup>2</sup>

# QT-SF14-B

---

**EPA without ice** 1.514 m<sup>2</sup> | 16.3 ft<sup>2</sup>

## Packaging and Weights

**Included** Clamps | Frame | Saddle mounts | Stiff arm

**Packaging quantity** 1

**Weight, net** 231.196 kg | 509.7 lb

## Regulatory Compliance/Certifications

Agency	Classification
CHINA-ROHS	Above maximum concentration value
ISO 9001:2015	Designed, manufactured and/or distributed under this quality management system
REACH-SVHC	Compliant as per SVHC revision on <a href="http://www.commscope.com/ProductCompliance">www.commscope.com/ProductCompliance</a>
ROHS	Compliant/Exempted
UK-ROHS	Compliant/Exempted



## Included Products

SM-U2080 – Universal Saddle Mount for straight or tapered legs up to 8 in OD, 8 in angle 60°, or 6 in angle 90°

## \* Footnotes

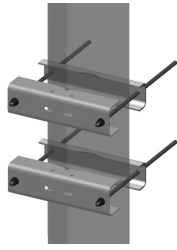
**Wind Rating** BWS—Base Wind Speed; FBC—Florida Building Code

**Wind Rating with Additional Stiff Arm** BWS—Base Wind Speed; FBC—Florida Building Code

**EPA with 1/2 in (12 mm) radial ice** EPA—Effective Projected Area

**EPA without ice** EPA—Effective Projected Area

# SM-U2080



Universal Saddle Mount for straight or tapered legs up to 8 in OD, 8 in angle 60°, or 6 in angle 90°

## Product Classification

**Product Type** Saddle mount

## General Specifications

**Mounting** Angle 60°, 203.2 mm (8 in) | Angle 90°, 152.4 mm (6 in) | Straight or tapered legs up to 203.2 mm (8 in) OD

**Tower Taper** Non-tapered

## Dimensions

**Height** 152.4 mm | 6 in

**Width** 279.4 mm | 11 in

**Length** 254 mm | 10 in

**Mounting Diameter, maximum** 203.2 mm | 8 in

**Mounting Diameter, minimum** 0 mm | 0 in

## Material Specifications

**Material Type** Hot dip galvanized steel

## Packaging and Weights

**Included** Mount

**Packaging quantity** 2

**Weight, net** 22.7 kg | 50.045 lb

## Regulatory Compliance/Certifications

Agency	Classification
CHINA-ROHS	Below maximum concentration value
ISO 9001:2015	Designed, manufactured and/or distributed under this quality management system
REACH-SVHC	Compliant as per SVHC revision on <a href="http://www.commscope.com/ProductCompliance">www.commscope.com/ProductCompliance</a>
ROHS	Compliant

# SM-U2080

---

UK-ROHS

Compliant

