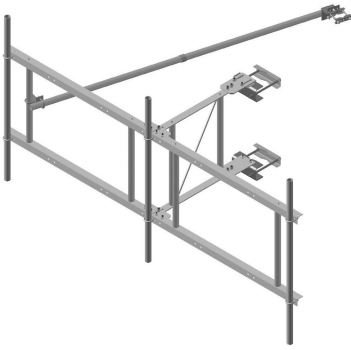


# QT-SF14-4-126



Quik-Tee® Sector Frame, 14 ft face, includes pipe mounts

## OBSOLETE

This product was discontinued on: July 31, 2015

### Replaced By:

SF-SU14-4-126

Stand-Off Sector Frame, 14 ft face, includes pipe

## Product Classification

**Product Type** Tower T-Frame Kit

## General Specifications

<b>Mounting</b>	Angle 60°, 203.2 mm (8 in)   Angle 90°, 152.4 mm (6 in)   Straight or tapered legs up to 203.2 mm (8 in) OD
<b>Note</b>	Four 72 in x 8 in panel antennas per sector
<b>Pipe, quantity</b>	4
<b>Tower Taper</b>	Non-tapered   Tapered

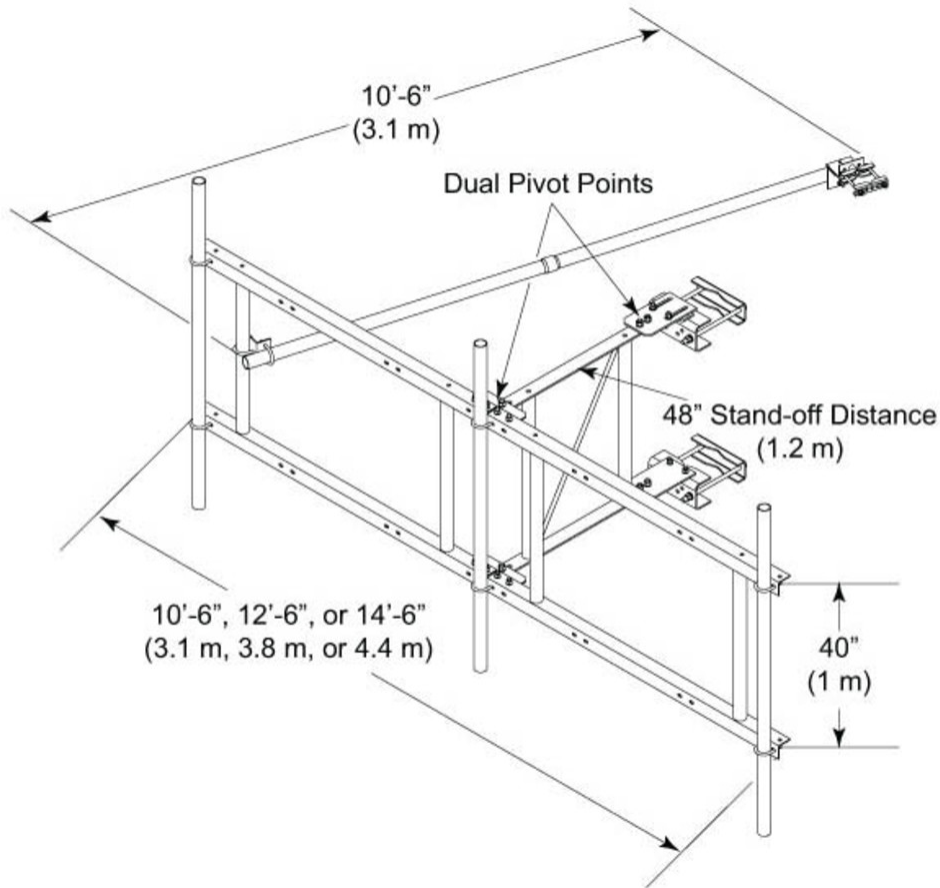
## Dimensions

<b>Height</b>	3,200.4 mm   126 in
<b>Face Width</b>	4.42 m   14.5 ft
<b>Width</b>	4,419.6 mm   174 in
<b>Length</b>	1,219.2 mm   48 in
<b>Pipe Length</b>	3,200.4 mm   126 in
<b>Mounting Diameter, maximum</b>	203.2 mm   8 in
<b>Mounting Diameter, minimum</b>	0 mm   0 in
<b>Pipe Outer Diameter</b>	60.96 mm   2.4 in
<b>Stand-off Distance</b>	1,219.2 mm   48 in



# QT-SF14-4-126

## Outline Drawing



## Material Specifications

**Material Type** Hot dip galvanized steel

## Mechanical Specifications

**Wind Rating** 90 mph (BWS) at 150 ft AGL

**Wind Rating Test Method** TIA/EIA-222

**Wind Rating with Additional Stiff Arm** 120 mph (BWS) at 150 ft AGL | 140 mph (3-second gust) at 150 ft AGL using Exposure D per FBC

## Environmental Specifications

**EPA with 1/2 in (12 mm) radial ice** 1.914 m<sup>2</sup> | 20.6 ft<sup>2</sup>

# QT-SF14-4-126

---

**EPA without ice** 1.514 m<sup>2</sup> | 16.3 ft<sup>2</sup>

## Packaging and Weights

**Included** Clamps | Frame | Pipe mounts | Saddle mounts | Stiff arm

**Packaging quantity** 1

**Weight, net** 231.196 kg | 509.7 lb

## Regulatory Compliance/Certifications

### Agency

ISO 9001:2015

### Classification

Designed, manufactured and/or distributed under this quality management system



## Included Products

- MT-537 - Plain End Pipe, 2-3/8 in OD x 126 in .120" A500C 46Ksi
- QT-SF14-B - Quik-Tee® Sector Frame, 14 ft face face

## \* Footnotes

**Wind Rating** BWS—Base Wind Speed; FBC—Florida Building Code

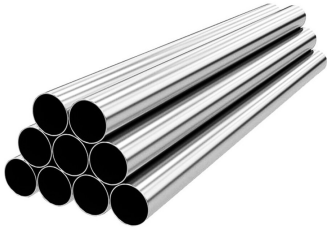
**Wind Rating with Additional Stiff Arm** BWS—Base Wind Speed; FBC—Florida Building Code

**EPA with 1/2 in (12 mm) radial ice** EPA—Effective Projected Area

**EPA without ice** EPA—Effective Projected Area

# MT-537

---



Plain End Pipe, 2-3/8 in OD x 126 in .120" A500C 46Ksi

A500 46 ksi steel

## Product Classification

**Product Type** Plain end pipe

## General Specifications

**Pipe, quantity** 1

## Dimensions

**Height** 60.96 mm | 2.4 in

**Width** 60.96 mm | 2.4 in

**Length** 3,200.4 mm | 126 in

**Pipe Length** 3,200.4 mm | 126 in

**Pipe Outer Diameter** 60.96 mm | 2.4 in

**Material Thickness** 3.048 mm | 0.12 in

## Material Specifications

**Material Type** A500 | Hot dip galvanized steel

**Material Grade** C

**Material Strength** 46 KSI

## Packaging and Weights

**Included** Pipe

**Packaging quantity** 1

**Weight, net** 18 kg | 39.683 lb

## Regulatory Compliance/Certifications

Agency	Classification
CHINA-ROHS	Below maximum concentration value
ISO 9001:2015	Designed, manufactured and/or distributed under this quality management system

# MT-537

---

REACH-SVHC

Compliant as per SVHC revision on [www.commscope.com/ProductCompliance](http://www.commscope.com/ProductCompliance)

ROHS

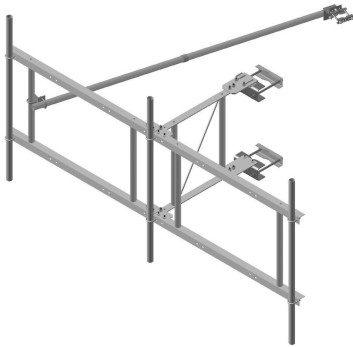
Compliant

UK-ROHS

Compliant



# QT-SF14-B



Quik-Tee® Sector Frame, 14 ft face face

## Product Classification

**Product Type** Tower T-Frame Kit

## General Specifications

**Mounting** Angle 60°, 203.2 mm (8 in) | Angle 90°, 152.4 mm (6 in) | Straight or tapered legs up to 203.2 mm (8 in) OD

**Note** Four 72 in x 8 in panel antennas per sector

**Pipe, quantity** 0

**Tower Taper** Non-tapered | Tapered

## Dimensions

**Height** 1016 mm | 40 in

**Face Width** 4.42 m | 14.5 ft

**Width** 4,419.6 mm | 174 in

**Length** 1,219.2 mm | 48 in

**Mounting Diameter, maximum** 203.2 mm | 8 in

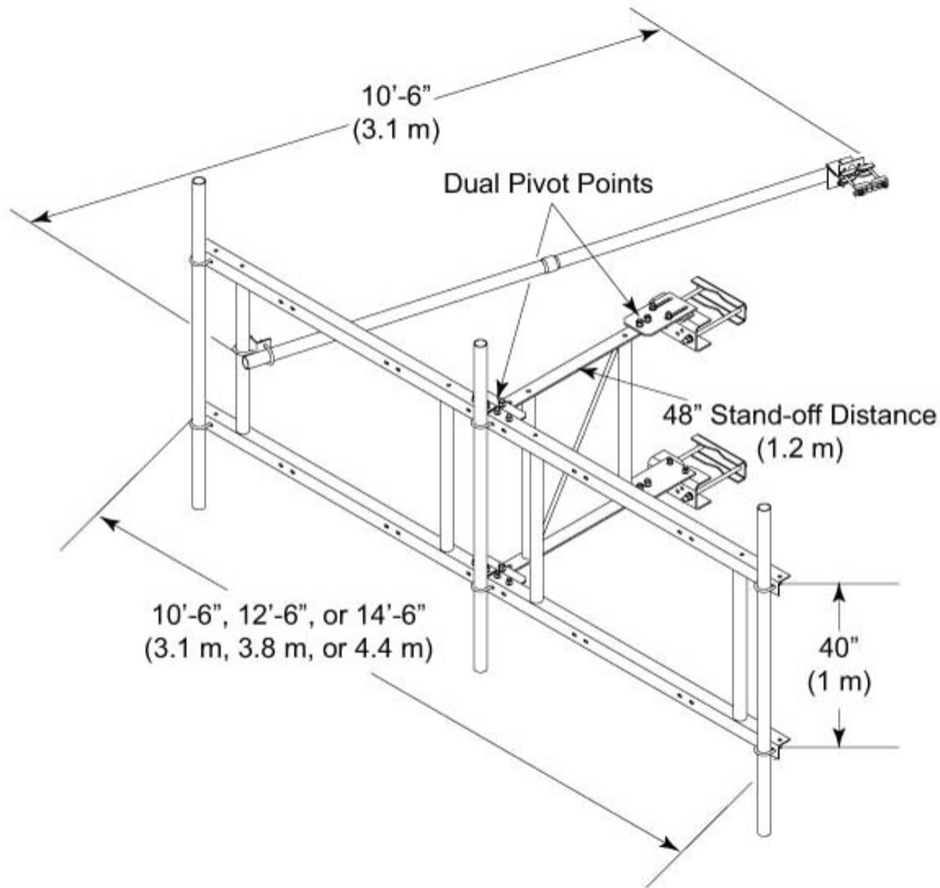
**Mounting Diameter, minimum** 0 mm | 0 in

**Pipe Outer Diameter** 60.96 mm | 2.4 in

**Stand-off Distance** 1,219.2 mm | 48 in

# QT-SF14-B

## Outline Drawing



## Material Specifications

**Material Type** Hot dip galvanized steel

## Mechanical Specifications

**Wind Rating** 90 mph (BWS) at 150 ft AGL

**Wind Rating Test Method** TIA/EIA-222

**Wind Rating with Additional Stiff Arm** 120 mph (BWS) at 150 ft AGL | 140 mph (3-second gust) at 150 ft AGL using Exposure D per FBC

## Environmental Specifications

**EPA with 1/2 in (12 mm) radial ice** 1.914 m<sup>2</sup> | 20.6 ft<sup>2</sup>



# QT-SF14-B

---

**EPA without ice** 1.514 m<sup>2</sup> | 16.3 ft<sup>2</sup>

## Packaging and Weights

**Included** Clamps | Frame | Saddle mounts | Stiff arm

**Packaging quantity** 1

**Weight, net** 231.196 kg | 509.7 lb

## Regulatory Compliance/Certifications

### Agency

### Classification

CHINA-ROHS

Above maximum concentration value

ISO 9001:2015

Designed, manufactured and/or distributed under this quality management system

REACH-SVHC

Compliant as per SVHC revision on [www.commscope.com/ProductCompliance](http://www.commscope.com/ProductCompliance)

ROHS

Compliant/Exempted

UK-ROHS

Compliant/Exempted



## \* Footnotes

**Wind Rating** BWS—Base Wind Speed; FBC—Florida Building Code

**Wind Rating with Additional Stiff Arm** BWS—Base Wind Speed; FBC—Florida Building Code

**EPA with 1/2 in (12 mm) radial ice** EPA—Effective Projected Area

**EPA without ice** EPA—Effective Projected Area