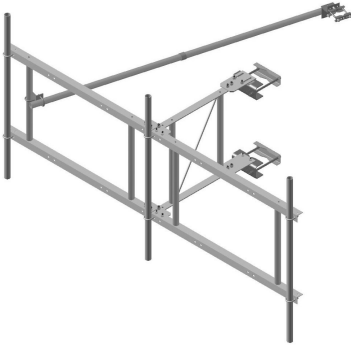


QT-SF14-2-96



Quik-Tee® Sector Frame, 14 ft face, includes pipe

OBSOLETE

This product was discontinued on: July 31, 2015

Replaced By:

SF-SU14-2-96

Stand-Off Sector Frame, 14 ft face, includes pipe

Product Classification

Product Type Tower T-Frame Kit

General Specifications

| | |
|-----------------------|---|
| Mounting | Angle 60°, 203.2 mm (8 in) Angle 90°, 152.4 mm (6 in) Straight or tapered legs up to 203.2 mm (8 in) OD |
| Note | Four 72 in x 8 in panel antennas per sector |
| Pipe, quantity | 2 |
| Tower Taper | Non-tapered Tapered |

Dimensions

| | |
|-----------------------------------|---------------------|
| Height | 2,438.4 mm 96 in |
| Face Width | 4.42 m 14.5 ft |
| Width | 4,419.6 mm 174 in |
| Length | 1,219.2 mm 48 in |
| Pipe Length | 2,438.4 mm 96 in |
| Mounting Diameter, maximum | 203.2 mm 8 in |
| Mounting Diameter, minimum | 0 mm 0 in |
| Pipe Outer Diameter | 60.96 mm 2.4 in |
| Stand-off Distance | 1,219.2 mm 48 in |

QT-SF14-2-96

Outline Drawing



Material Specifications

Material Type Hot dip galvanized steel

Mechanical Specifications

Wind Rating 90 mph (BWS) at 150 ft AGL

Wind Rating Test Method TIA/EIA-222

Wind Rating with Additional Stiff Arm 120 mph (BWS) at 150 ft AGL | 140 mph (3-second gust) at 150 ft AGL using Exposure D per FBC

Environmental Specifications

EPA with 1/2 in (12 mm) radial ice 1.914 m² | 20.6 ft²

QT-SF14-2-96

EPA without ice 1.514 m² | 16.3 ft²

Packaging and Weights

Included Clamps | Frame | Pipe mounts | Saddle mounts | Stiff arm

Packaging quantity 1

Weight, net 231.196 kg | 509.7 lb

Regulatory Compliance/Certifications

Agency

ISO 9001:2015

Classification

Designed, manufactured and/or distributed under this quality management system



Included Products

- MT-651-96 - Plain End Pipe, 2-3/8 in OD x 96 in .120" A500C 46Ksi
- QT-SF14-B - Quik-Tee® Sector Frame, 14 ft face face

* Footnotes

Wind Rating BWS—Base Wind Speed; FBC—Florida Building Code

Wind Rating with Additional Stiff Arm BWS—Base Wind Speed; FBC—Florida Building Code

EPA with 1/2 in (12 mm) radial ice EPA—Effective Projected Area

EPA without ice EPA—Effective Projected Area