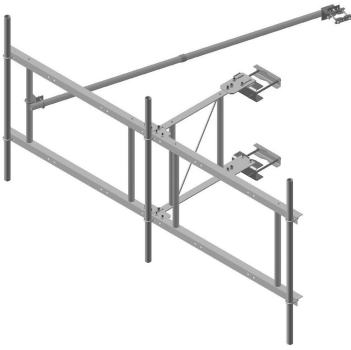


# QT-SF12-4-126



Quik-Tee® Sector Frame, 12 ft face, includes pipe mounts

## OBSOLETE

This product was discontinued on: July 31, 2015

### Replaced By:

SF-SU12-4-126

Stand-Off Sector Frame, 12 ft face, includes pipe

## Product Classification

**Product Type** Tower T-Frame Kit

## General Specifications

<b>Mounting</b>	Angle 60°, 203.2 mm (8 in)   Angle 90°, 152.4 mm (6 in)   Straight or tapered legs up to 203.2 mm (8 in) OD
<b>Note</b>	Four 72 in x 8 in panel antennas per sector
<b>Pipe, quantity</b>	4
<b>Tower Taper</b>	Non-tapered   Tapered

## Dimensions

<b>Height</b>	3,200.4 mm   126 in
<b>Face Width</b>	3.81 m   12.5 ft
<b>Width</b>	3810 mm   150 in
<b>Length</b>	1,219.2 mm   48 in
<b>Pipe Length</b>	3,200.4 mm   126 in
<b>Mounting Diameter, maximum</b>	203.2 mm   8 in
<b>Mounting Diameter, minimum</b>	0 mm   0 in
<b>Pipe Outer Diameter</b>	60.96 mm   2.4 in
<b>Stand-off Distance</b>	1,219.2 mm   48 in



# QT-SF12-4-126

## Outline Drawing



## Material Specifications

**Material Type** Hot dip galvanized steel

## Mechanical Specifications

**Wind Rating** 90 mph (BWS) at 150 ft AGL

**Wind Rating Test Method** TIA/EIA-222

**Wind Rating with Additional Stiff Arm** 120 mph (BWS) at 150 ft AGL | 140 mph (3-second gust) at 150 ft AGL using Exposure D per FBC

## Environmental Specifications

**EPA with 1/2 in (12 mm) radial ice** 1.914 m<sup>2</sup> | 20.6 ft<sup>2</sup>

# QT-SF12-4-126

---

**EPA without ice** 1.514 m<sup>2</sup> | 16.3 ft<sup>2</sup>

## Packaging and Weights

**Included** Clamps | Frame | Pipe mounts | Saddle mounts | Stiff arm

**Packaging quantity** 1

**Weight, net** 231.196 kg | 509.7 lb

## Regulatory Compliance/Certifications

### Agency

ISO 9001:2015

### Classification

Designed, manufactured and/or distributed under this quality management system



## Included Products

- MT-537 - Plain End Pipe, 2-3/8 in OD x 126 in .120" A500C 46Ksi
- QT-SF12-B - Quik-Tee® Sector Frame, 12 ft face

## \* Footnotes

**Wind Rating** BWS—Base Wind Speed; FBC—Florida Building Code

**Wind Rating with Additional Stiff Arm** BWS—Base Wind Speed; FBC—Florida Building Code

**EPA with 1/2 in (12 mm) radial ice** EPA—Effective Projected Area

**EPA without ice** EPA—Effective Projected Area