

G040-0003 Revision A, April 2021

GENERAL INFORMATION

The Metro Cell antenna shown as Figure 1. It is the responsibility of qualified personnel to determine the best method for securely anchoring the base plate of the antenna to the mounting surface.

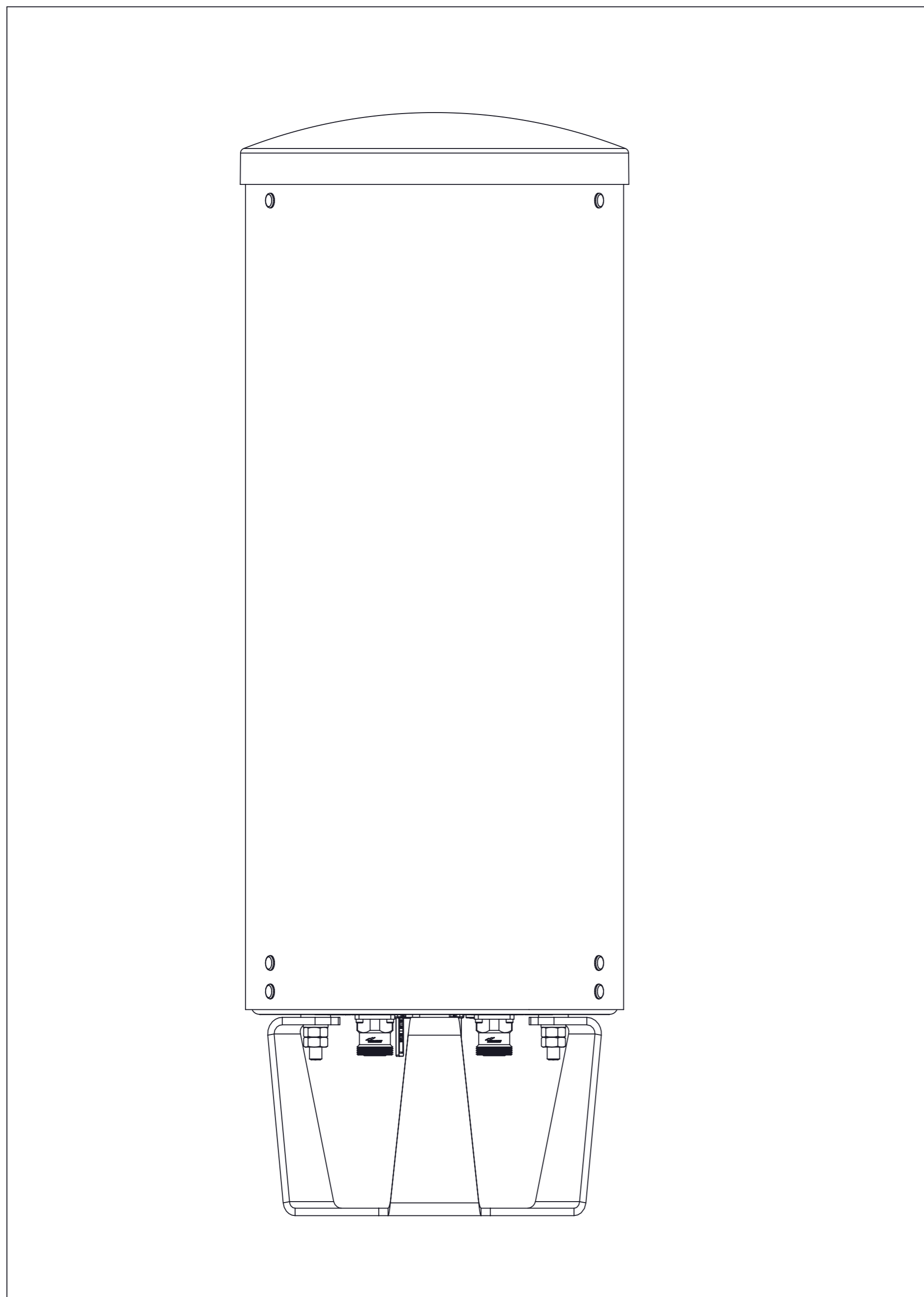


Figure 1. Metro Cell Antenna.

INSTALLATION INSTRUCTIONS

- Examine antenna and hardware to ensure that all parts are enclosed and that there is no physical damage.
- Verify that the frequency range shown on the label on the bottom of the antenna matches the frequency range of the station equipment.

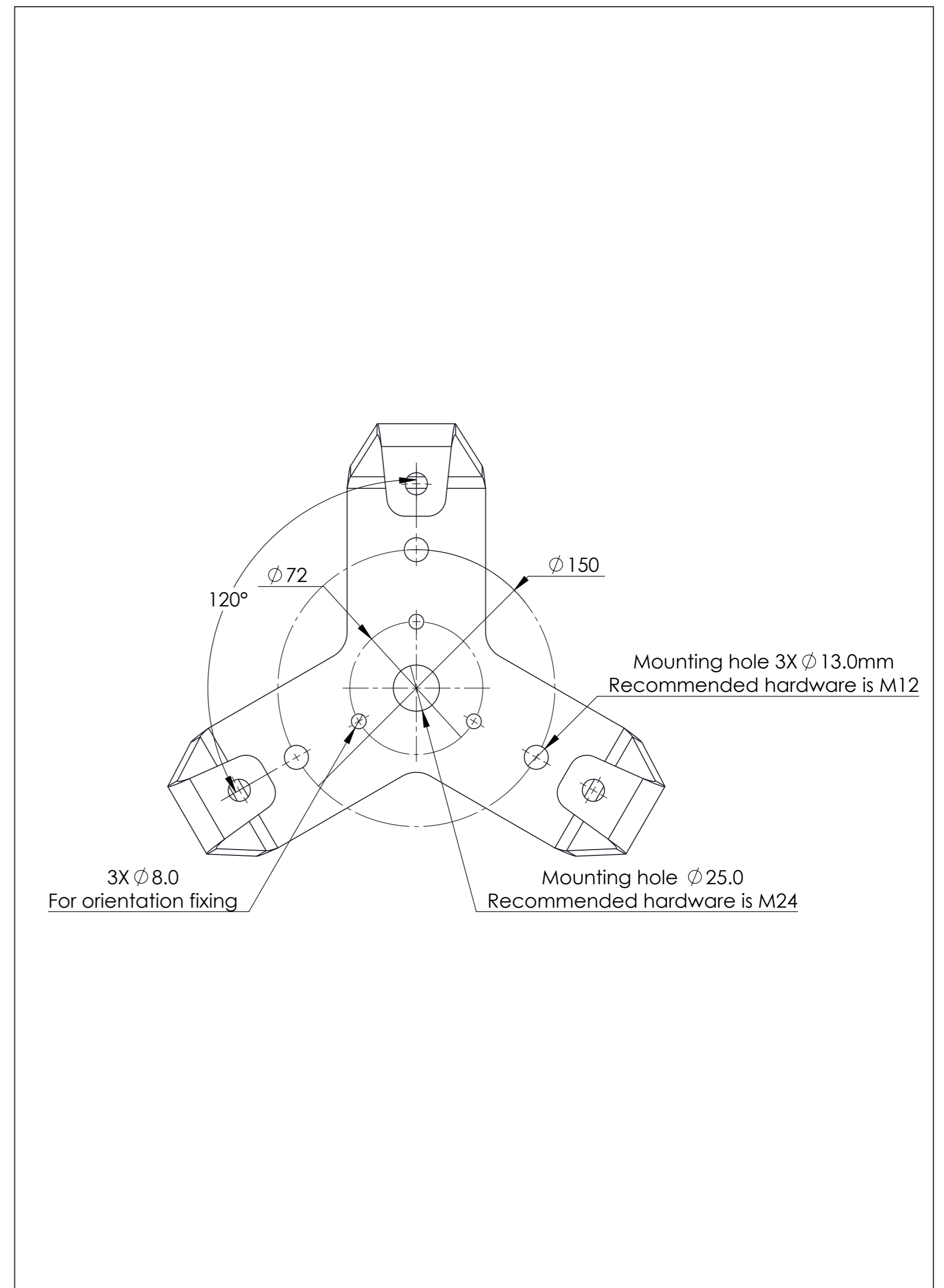


Figure 2. Mounting Interface on Bottom Mounting Bracket

(continued on page 2)

(Continued from page 1)

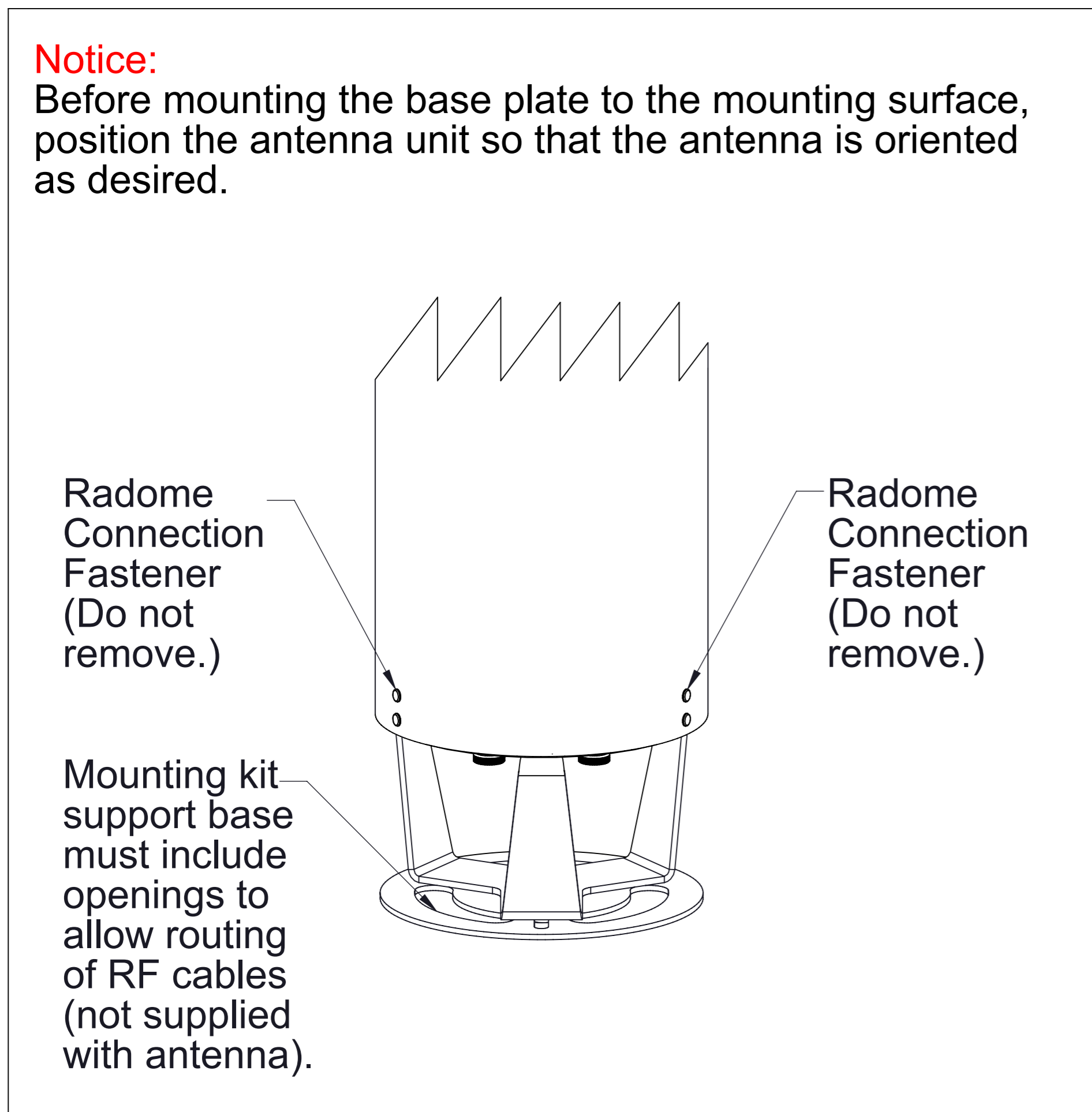


Figure 3. Determining Orientation for Each Antenna.

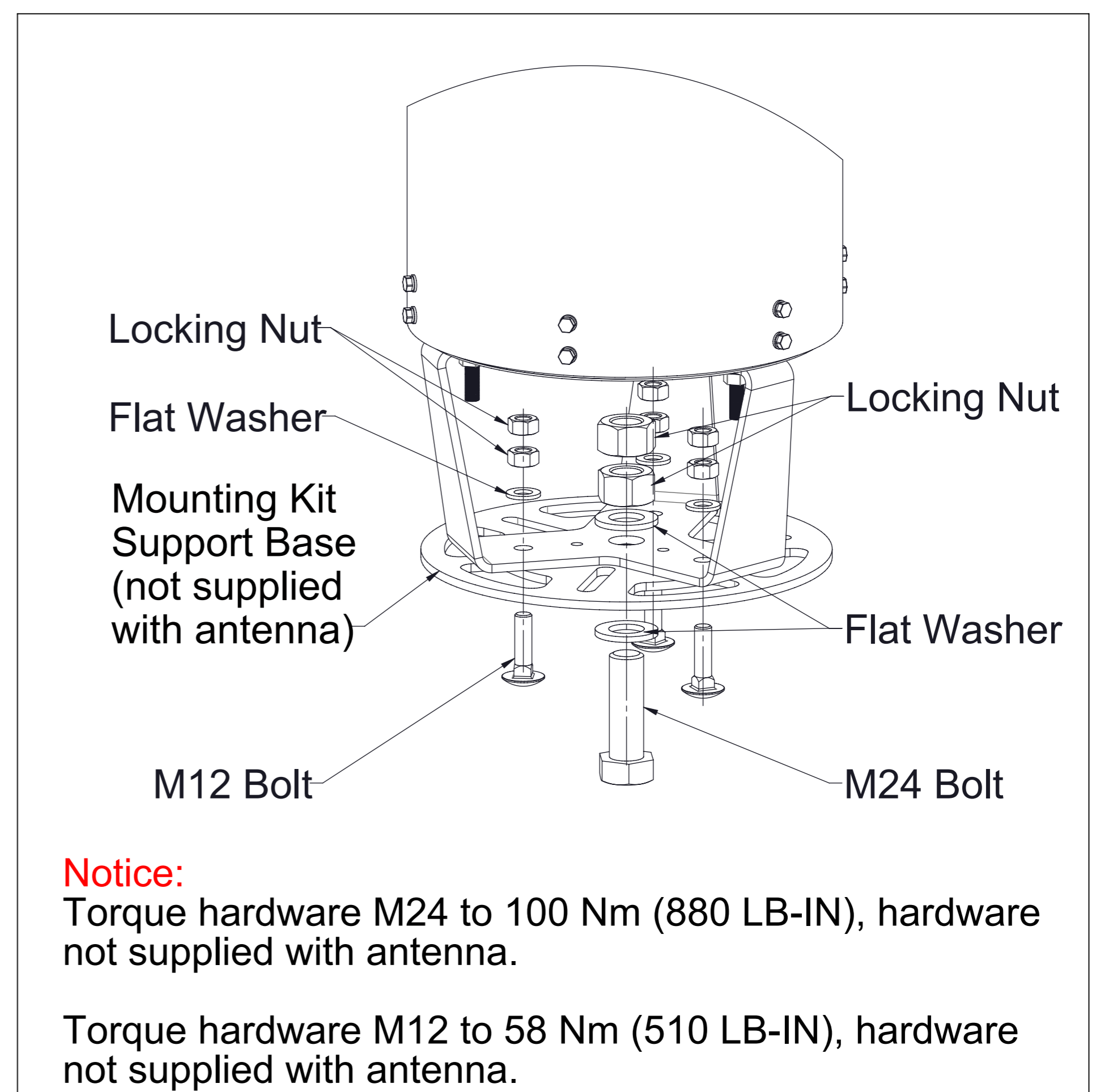


Figure 4. Antenna Installation Interface

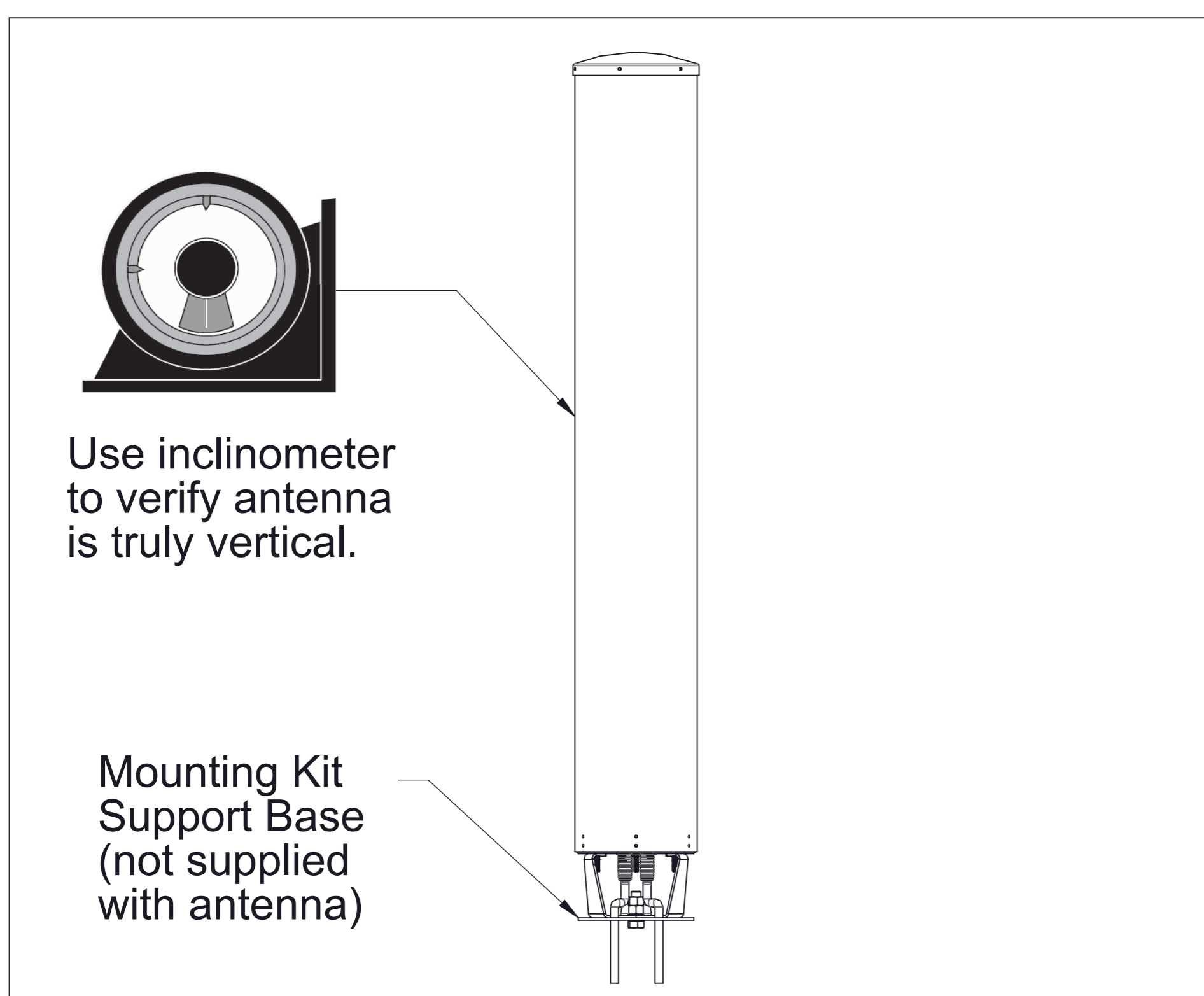


Figure 5. Routing RF Cable and Vertical Alignment

1. Refer to Figures 2, 3 and 4 for mounting and bore-site alignment. It is recommended that the mounting holes be marked and made ready in the mounting surface prior to installing the antenna.
2. Attach the RF cables to the antenna input connectors and torque the 7-16 DIN connector to 25-30 Nm (220-265 LB-IN), and the 4.3/10 connector to 5-8 Nm (45-71 LB-IN), refer to Figure 5.

Adjusting Antenna Tilt

SAFETY NOTICE

The installation, maintenance, or removal of an antenna requires qualified, experienced personnel. CommScope installation instructions are written for such installation personnel. Antenna systems should be inspected once a year by qualified personnel to verify proper installation, maintenance, and condition of equipment.

CommScope disclaims any liability or responsibility for the results of improper or unsafe installation practices.

It is recommended that transmit power be turned off when the field installation is performed. Follow all applicable safety precautions as shown on this page.



Do not install near power lines. Power lines, telephone lines, and guy wires look the same. Assume any wire or line can electrocute you.



Do not install on a wet or windy day or when lightning or thunder is in the area. Do not use metal ladder.



Wear shoes with rubber soles and heels. Wear protective clothing including a long-sleeved shirt and rubber gloves.