

PM-412-48



Adjustable Pipe Mount, 4-1/2 in OD x 48 in

Product Classification

Product Type Pipe mount

General Specifications

Mounting Saddle mounts

Note One 96 in x 8 in panel antenna per pipe mount

Pipe, quantity 1

Tower Taper Non-tapered

Dimensions

Height 1,219.2 mm | 48 in

Width 152.4 mm | 6 in

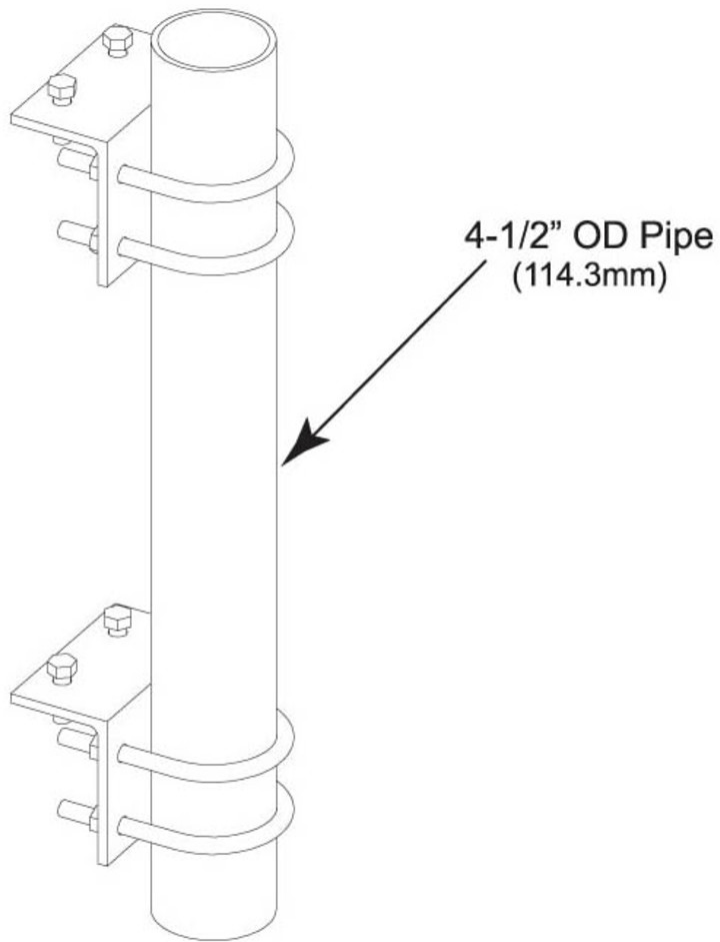
Length 152.4 mm | 6 in

Pipe Length 1,219.2 mm | 48 in

Pipe Outer Diameter 114.3 mm | 4.5 in

PM-412-48

Outline Drawing



Material Specifications

Material Type Hot dip galvanized steel

Mechanical Specifications

Wind Rating 120 mph (BWS) at 150 ft AGL

Wind Rating Test Method TIA/EIA-222

Packaging and Weights

Included Brackets | Hardware | Pipe

Packaging quantity 1

PM-412-48

Weight, net

20 kg | 44.092 lb

Regulatory Compliance/Certifications

Agency

ISO 9001:2015

Classification

Designed, manufactured and/or distributed under this quality management system



Included Products

MT-653 – Plain End Pipe, 4-1/2 in OD x 48 in x .188" A500C
46Ksi

* Footnotes

Wind Rating

BWS—Base Wind Speed; FBC—Florida Building Code

MT-653



Plain End Pipe, 4-1/2 in OD x 48 in x .188" A500C 46Ksi

Product Classification

Product Type Plain end pipe

General Specifications

Pipe, quantity 1

Dimensions

Height 114.3 mm | 4.5 in
Width 114.3 mm | 4.5 in
Length 1,219.2 mm | 48 in
Pipe Length 1,219.2 mm | 48 in
Pipe Outer Diameter 114.3 mm | 4.5 in
Material Thickness 4.775 mm | 0.188 in

Material Specifications

Material Type A500 | Hot dip galvanized steel
Material Grade C
Material Strength 46 kilopounds per square inch

Packaging and Weights

Included Pipe
Packaging quantity 1
Weight, net 16 kg | 35.274 lb

Regulatory Compliance/Certifications

Agency	Classification
ISO 9001:2015	Designed, manufactured and/or distributed under this quality management system

MT-653

