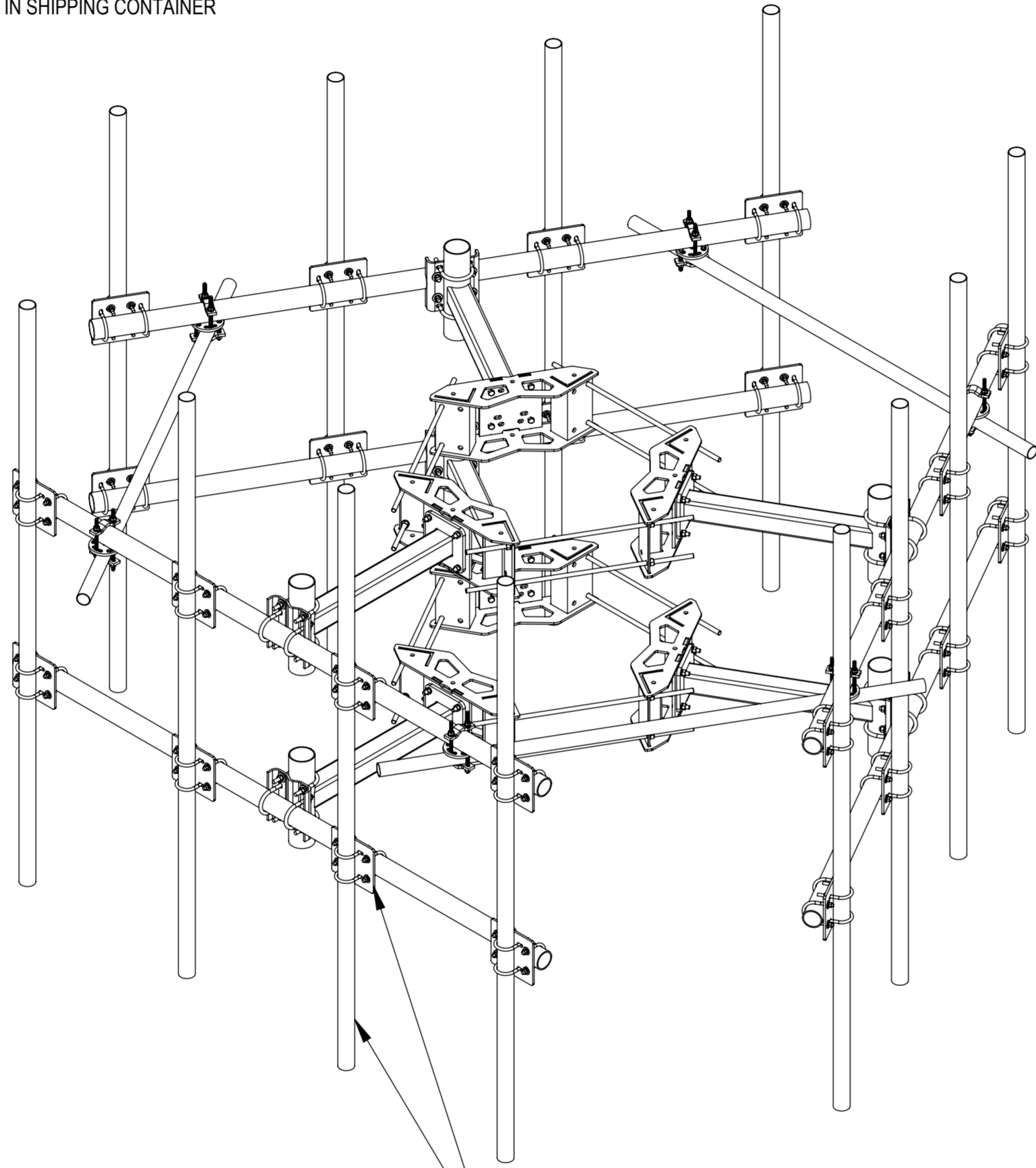


- 1.0 GENERAL
 1.1 ALL IMPERIAL DIMENSIONS ARE IN BRACKETS [X.XX]
 1.2 FOR PATENT INFO: <https://www.cs-pat.com>
- 2.0 DESIGN NOTES
 2.1 ANY HAZARDS OR OBSTRUCTIONS TO THE CLIMBING FACILITY AND SAFETY CLIMB MUST BE IDENTIFIED PRIOR TO INSTALLING THE APPURTENANCE. ADDITIONAL PRODUCTS MAY BE REQUIRED TO MAINTAIN THE INTEGRITY OF THE SAFETY CLIMB. DURING INSTALLATION, TEMPORARY AND/OR PERMANENT PRECAUTIONARY MEASURES SHOULD BE TAKEN TO PRESERVE THE CLIMBING FACILITY AND/OR SAFETY CLIMB.
- 3.0 MANUFACTURING/SPECIAL REQUIREMENTS
 3.1 BREAK SHARP EDGES AND DEBURR FOR SAFE HANDLING.
 3.2 TIGHTEN ALL BOLTS SECURING FLAT PLATES BY THE TURN-OF-NUT METHOD. TIGHTEN ALL U-BOLTS USING TURN-OF-NUT METHOD WITH ATTENTION TO LEAVE EQUAL DISTANCE AND EQUAL FORCE ON EACH LEG OF THE U-BOLT.
- 4.0 TEST
- 5.0 PACKAGING
 5.1 PACKAGING SHALL MEET COMMSCOPE REQUIREMENTS PER DOCUMENT IS-PL-3005
 5.2 PRINTED DOCUMENT TO BE PLACED INSIDE POLYBAG AND THEN IN SHIPPING CONTAINER
 5.3 EXTRA HARDWARE MAYBE SUPPLIED, BAGGED AND SHIPPED



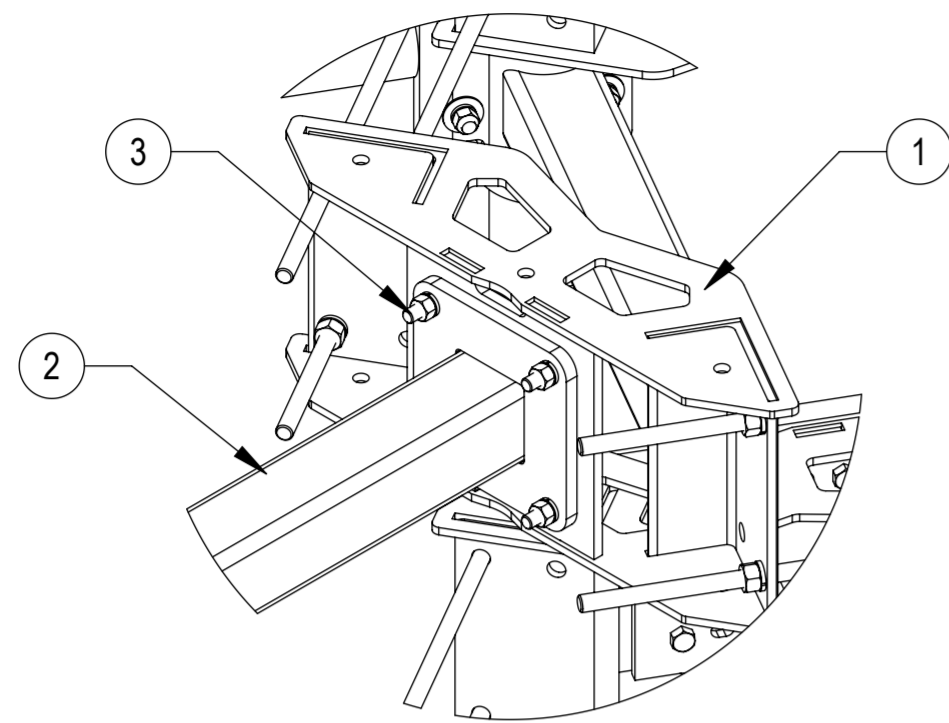
ANTENNA PIPES AND ITS CONNECTORS SHOWN FOR REFERENCE SOLD SEPARATELY

REVISIONS			
REV.	DESCRIPTION	DATE	APPROVED
A	INITIAL RELEASE	JL1183 19JUL22	XK1001 40152107CMO

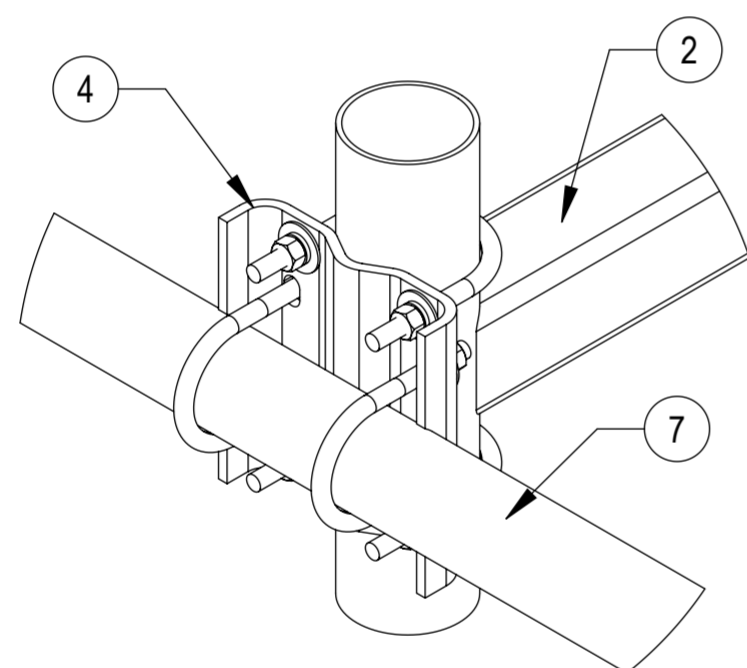
COMMSCOPE, INC. OF NORTH CAROLINA

TOLERANCES		SAP MATERIAL MASTER			
0 PLACE X[.X] ± 6[0.25]	2 PLACE .XX[.XXX] ± 1.50[0.060]	MC-KD10M-B			
1 PLACE .X[.XX] ± 3.0[0.12]	ANGLES ± 2°				
FINISH		MATERIAL			
UNLESS OTHERWISE SPECIFIED DIMENSIONS ARE IN MILLIMETERS INTERPRET PER ISO STANDARDS HANDBOOK TECHNICAL DRAWINGS VOLUMES 1 & 2, THIRD EDITION (2002)		NAME			
		CE	JL1183	DATE	19JUL22
		RW	JL1183	DATE	08/11/2022
		AD	YMENG	DATE	08/11/2022
		RE	JL1183	DATE	08/11/2022
TITLE		MONOPOLE, DBL T-ARM, 10' FACE, NO AP, NP XP			
ECN 40152107CMO					
SCALE		DOCUMENT NO.			
1:25		MC-KD10M-B			
SIZE	Auth Group	INSL	MODEL		
A2		VERSION	STATUS		
		00	RE		
REVISION	STATUS	REVISION	DRAWING		
A	RE	A	VERSION		
00	RE	A	STATUS		
00	RE	A	REVISION		
			SHEET		
			1 OF 3		

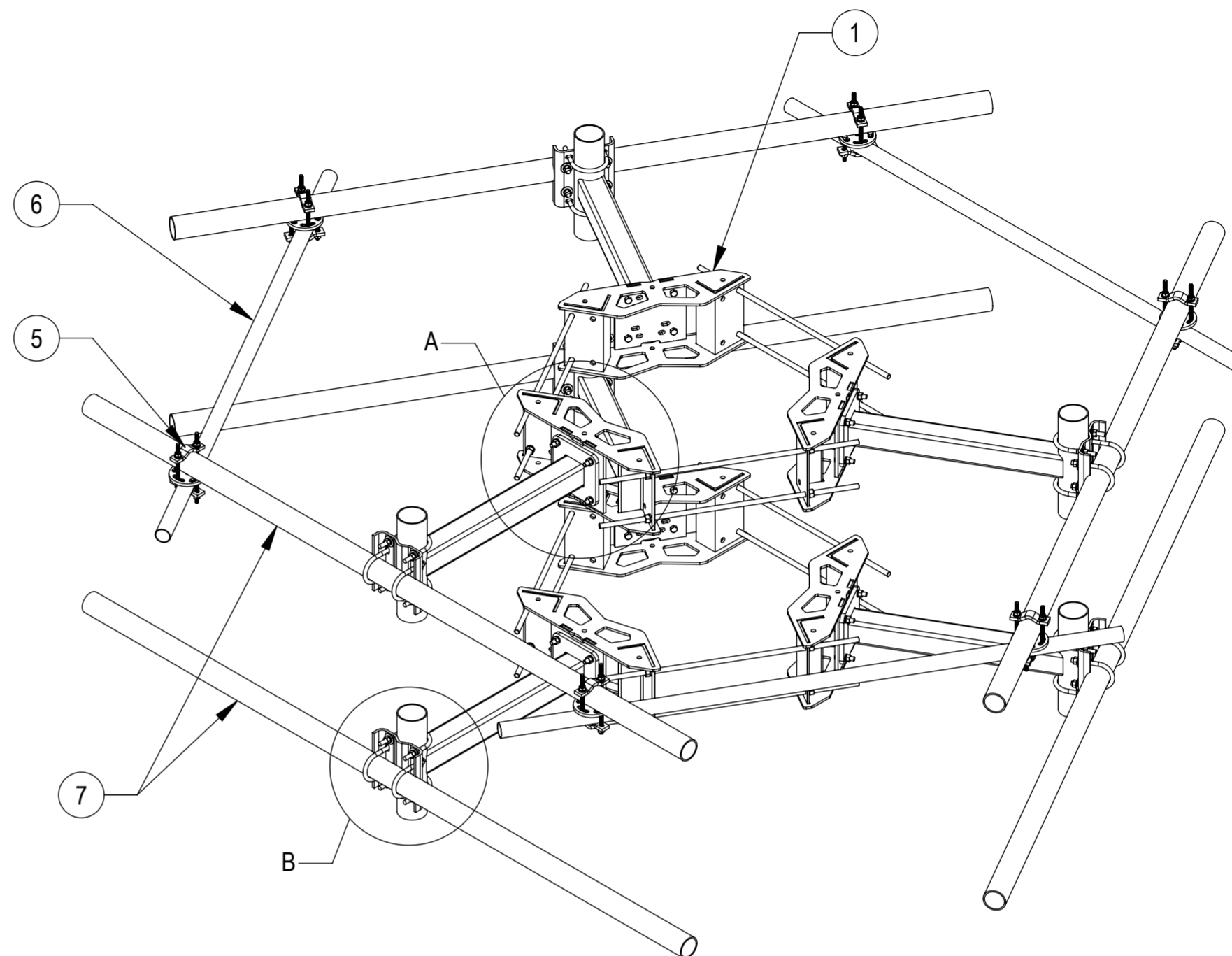
DENSITY	lbs/in³
MASS	1508.11 lbs
VOLUME	6967.94 in³
SURFACE AREA	49815.9 in²
DENSITY	g/mm³
MASS	685503.924 grams
VOLUME	114191129.565 mm³
SURFACE AREA	32139281.784 mm²
HEIGHT	1372[54.0]
LENGTH	3200[126.0]
WIDTH	3200[126.0]



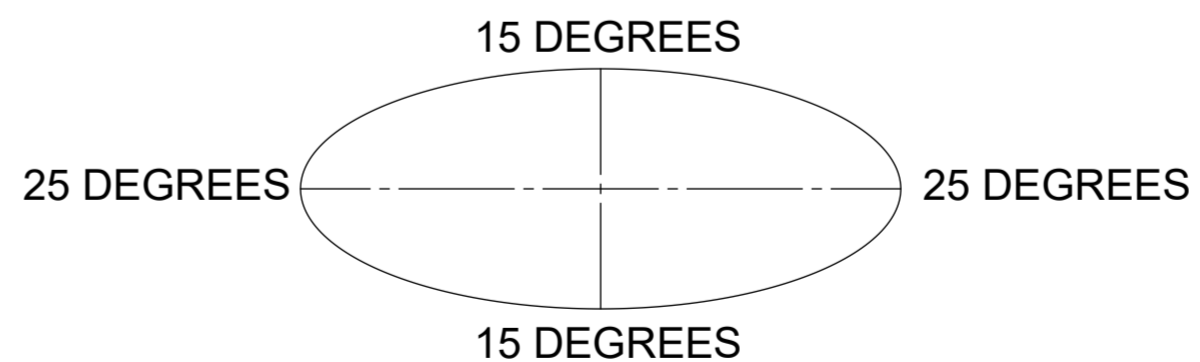
DETAIL A
SCALE 1 : 8



DETAIL B
SCALE 1 : 6



ALLOWABLE TIEBACK ANGLE
 +15 DEGREES VERTICAL
 ±25 DEGREES HORIZONTAL



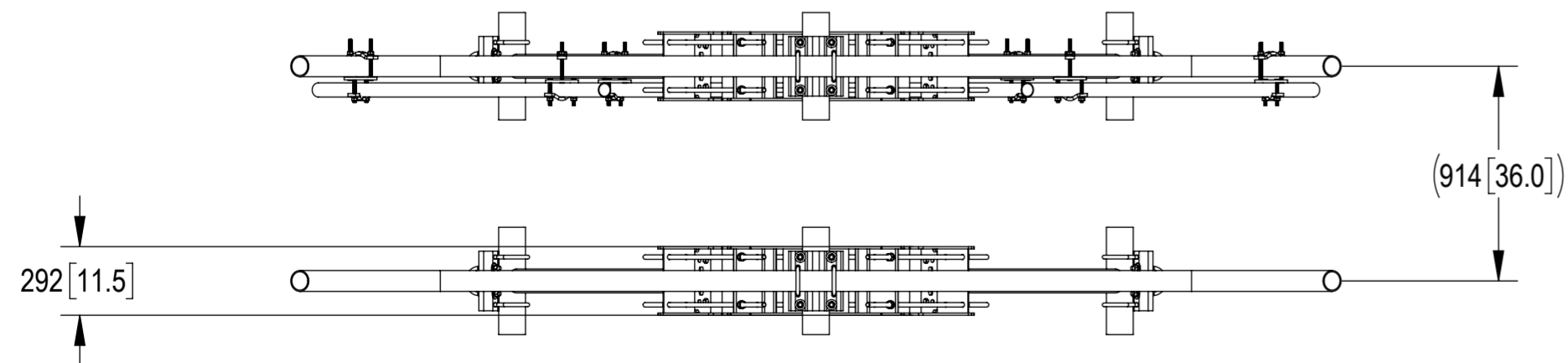
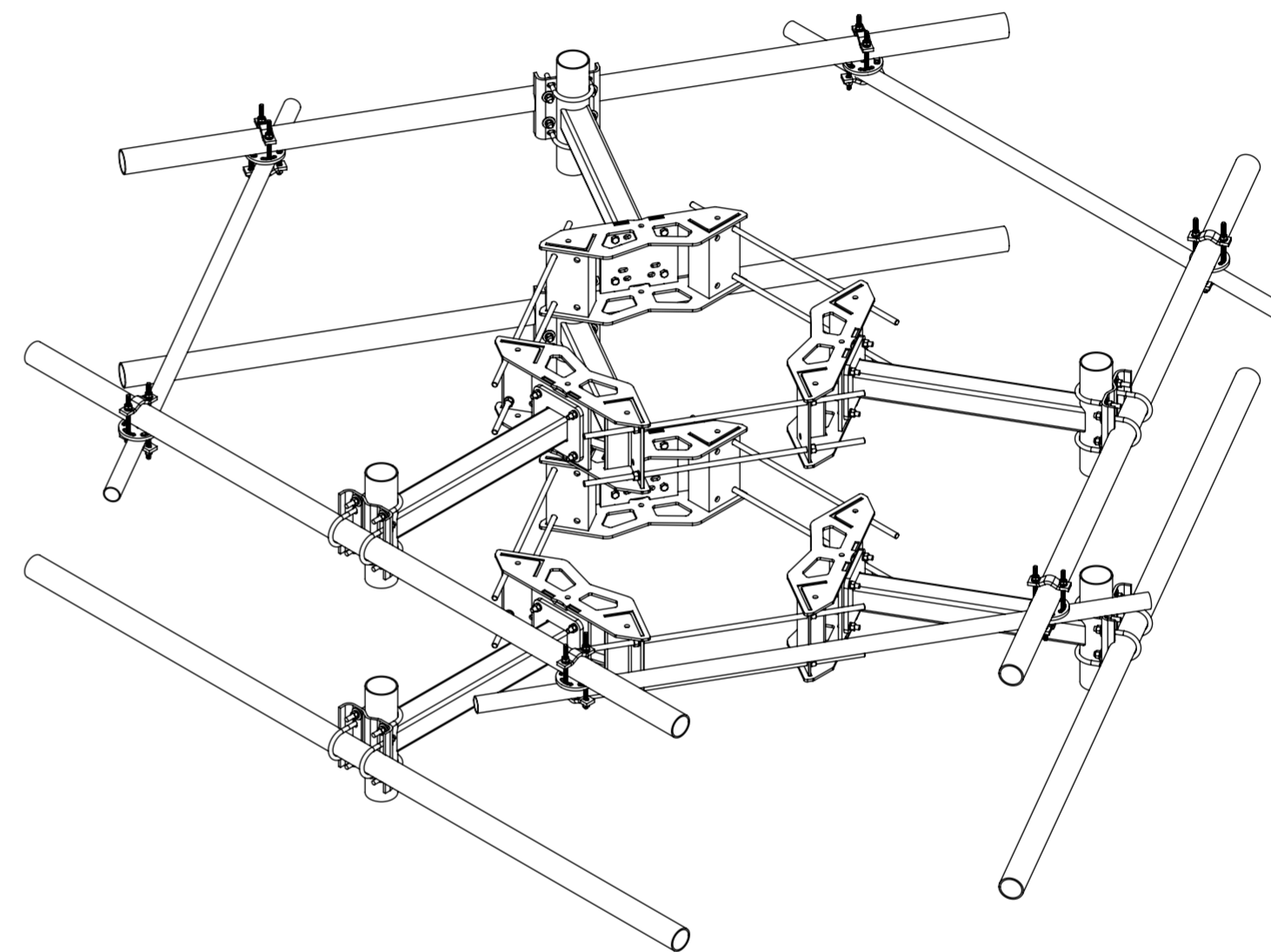
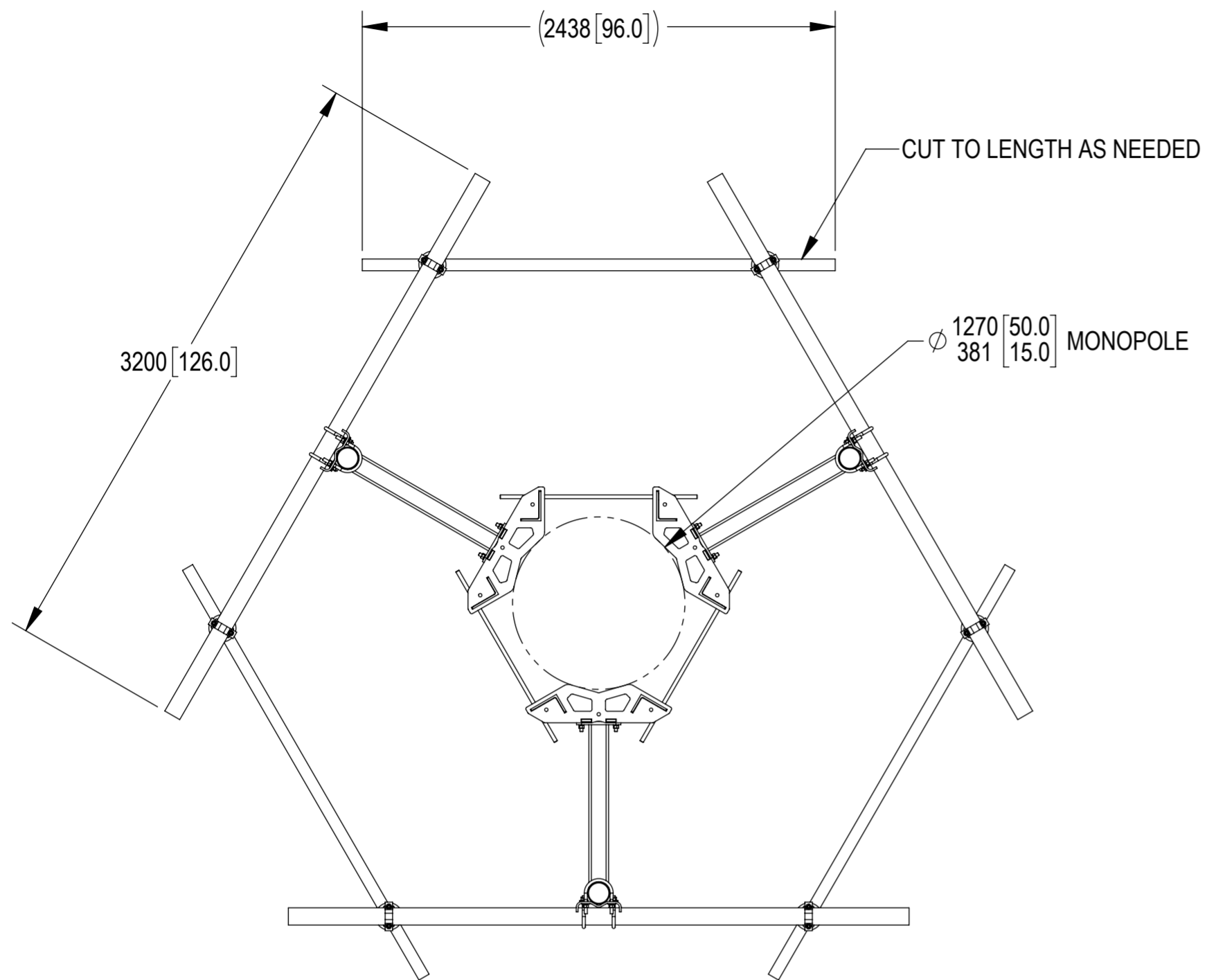
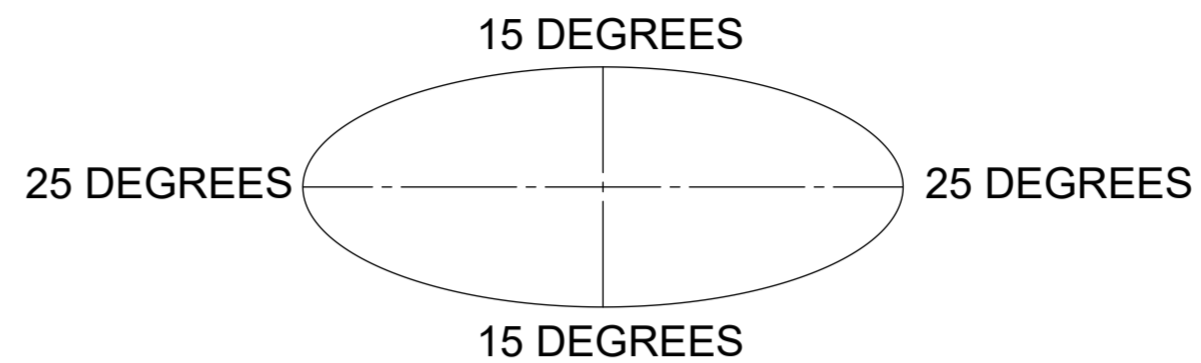
COMPONENT PART NUMBERS PROVIDED FOR ASSEMBLY PURPOSES;
 INDIVIDUAL COMPONENTS MAY BE SHIPPED AS PARTS WITHIN AN INCLUDED KIT.

ITEM NO.	PART NUMBER	DESCRIPTION	QTY.	NOTE NO.
1	MC-RM1550-3	15" - 50" OD RINGMOUNT	2	
2	MT19701	36" SINGLE SUPPORT ARM	6	
3	GB-05245	5/8" X 2-1/2" GALV BOLT KIT	24	
4	MT216NSH	12" CENTER BRACKET	6	
5	XP-R	CROSSOVER PLATE, ROUND, UP TO 3.5" OD	6	
6	MT-651-96	2.375" OD X 96" PIPE	3	
7	MTC547126216	3-1/2" OD X 126" GALV PIPE	6	

COMMSCOPE, INC. OF NORTH CAROLINA				
TITLE MONOPOLE, DBL T-ARM, 10' FACE, NO AP, NP XP				
SIZE A2	SCALE 1:25	DOCUMENT NO. MC-KD10M-B		
DRAWING				SHEET
VERSION 00	STATUS RE	REVISION A	2 OF 3	

ALLOWABLE TIEBACK ANGLE

±15 DEGREES VERTICAL
±25 DEGREES HORIZONTAL



TOP
BOTTOM

COMMSCOPE, INC. OF NORTH CAROLINA				
TITLE MONOPOLE, DBL T-ARM, 10' FACE, NO AP, NP XP				
SIZE A2	SCALE 1:25	DOCUMENT NO. MC-KD10M-B		
		DRAWING		SHEET
		VERSION	STATUS	REVISION
		00	RE	A
				3 OF 3