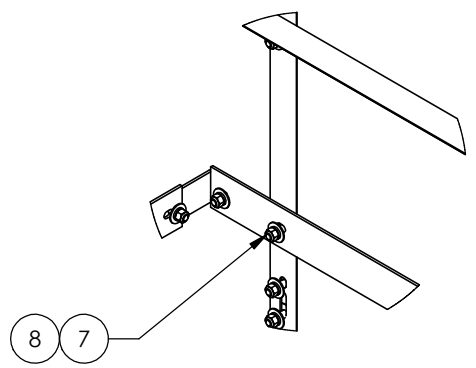
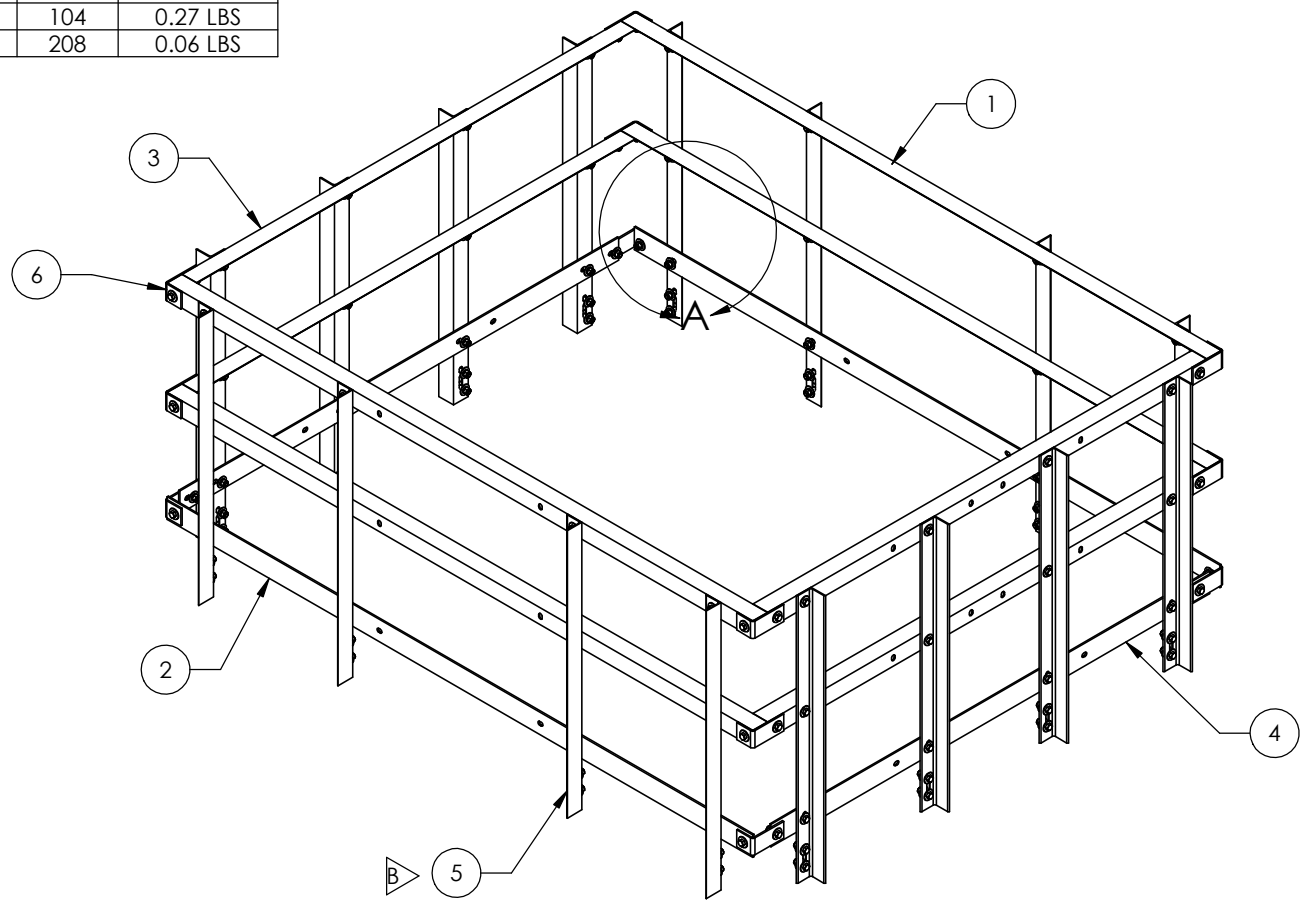



ITEM	PART NO.	DESCRIPTION	QTY.	WEIGHT
1	MTC7902101003	10' SIDE HANDRAIL	4	36.80 LBS
2	MTC7902101006	10' SIDE TOEBOARD	2	33.48 LBS
3	MTC7902080810	8' END HANDRAIL	4	27.50 LBS
4	MTC7902080811	8' END TOEBOARD	2	25.00 LBS
5	EQHR01	HANDRAIL POST	16	15.52 LBS
6	MTC790208	HANDRAIL ANGLE CLIP	12	1.87 LBS
7	GB-05205	5/8" X 2" GALV BOLT KIT	104	0.27 LBS
8	GW-05	5/8" GALV FLAT WASHER	208	0.06 LBS

REVISIONS				
REV.	ECN	DESCRIPTION	BY	DATE
A		INITIAL RELEASE	MSM	10/27/10
B	8000008700	REPLACED MTC790204 WITH EQHR01	RJC	6/15/2015



DETAIL A

<small>These drawings and specifications are the proprietary property of ANDREW CORPORATION and may be used only for the specific purpose authorized in writing by Andrew Corporation.</small>		DRAWN BY: MSM CHECKED BY: TP DATE: 10/27/10 REVISION: B	SHEET: 1 of 1 SCALE: NTS MATERIAL: A36 FINISH: GALV A123 WEIGHT: *SW-Moss@EQ-HR101	PART NUMBER: EQ-HR0810 DESCRIPTION: 8' x 10' PLATFORM HANDRAIL KIT DRAWING TYPE: ASSEMBLY DRAWING 	ORLAND PARK, IL. 60462 U.S.A.
------------------------------------------------------------------------------------------------------------------------------------------------------------------------------------------------	--	------------------------------------------------------------------	------------------------------------------------------------------------------------------------	--------------------------------------------------------------------------------------------------------------------------------------------------------------------------------------------------	----------------------------------

ALL DIMENSIONS ARE IN INCHES U.O.S.
 TOLERANCES UNLESS OTHERWISE SPECIFIED:
 .X = .12 ANGLES 2'
 .XX = .06 FRACTIONS 1/32
 .XXX = .03
 REMOVE BURRS AND BREAK EDGES .005
 DO NOT SCALE THIS PRINT