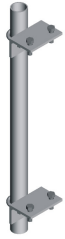


PM-238-96



Adjustable Pipe Mount, 2-3/8 in OD x 96 in

Product Classification

Product Type Pipe mount

General Specifications

Mounting Saddle mounts

Note One 96 in x 8 in panel antenna per pipe mount

Pipe, quantity 1

Tower Taper Non-tapered

Dimensions

Height 96 in | 2,438.4 mm

Width 6 in | 152.4 mm

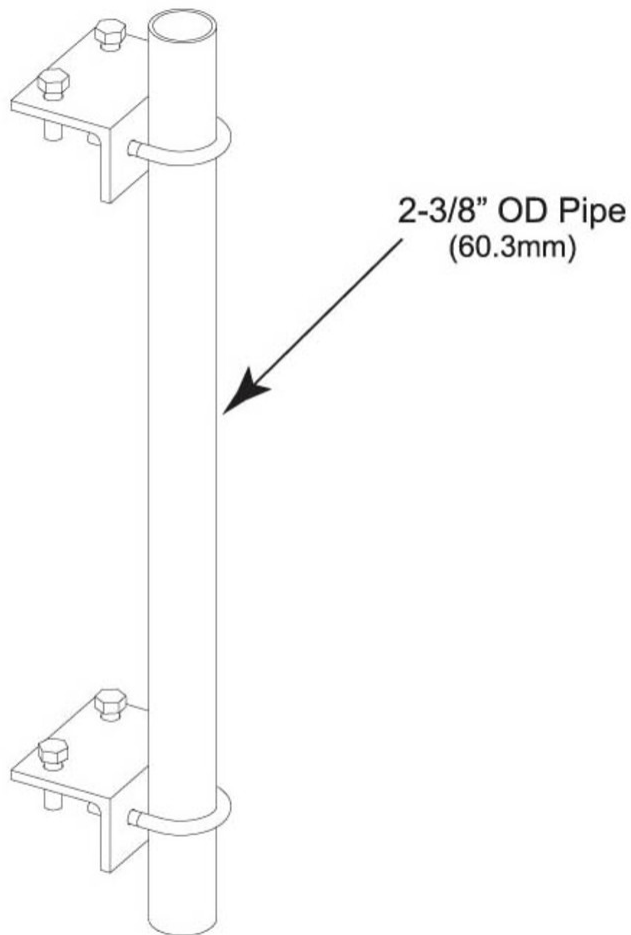
Length 6 in | 152.4 mm

Pipe Length 96 in | 2,438.4 mm

Pipe Outer Diameter 2.4 in | 60.96 mm

PM-238-96

Outline Drawing



Material Specifications

Material Type Hot dip galvanized steel

Mechanical Specifications

Wind Rating 120 mph (BWS) at 150 ft AGL

Wind Rating Test Method TIA/EIA-222

Packaging and Weights

Included Brackets | Hardware | Pipe

Packaging quantity 1

PM-238-96

Weight, net 15.2 kg | 33.51 lb

Regulatory Compliance/Certifications

Agency

ISO 9001:2015



Classification

Designed, manufactured and/or distributed under this quality management system

Included Products

MT-651-96 – Plain End Pipe, 2-3/8 in OD x 96 in .120" A500C
46Ksi

* Footnotes

Wind Rating BWS—Base Wind Speed; FBC—Florida Building Code

MT-651-96



Plain End Pipe, 2-3/8 in OD x 96 in .120" A500C 46Ksi

Product Classification

Product Type Plain end pipe

General Specifications

Pipe, quantity 1

Dimensions

Height 60.96 mm | 2.4 in
Width 60.96 mm | 2.4 in
Length 2,438.4 mm | 96 in
Pipe Length 2,438.4 mm | 96 in
Pipe Outer Diameter 60.96 mm | 2.4 in
Material Thickness 3.048 mm | 0.12 in

Material Specifications

Material Type A500 | Hot dip galvanized steel
Material Grade C
Material Strength 46 kilopounds per square inch

Packaging and Weights

Included Pipe
Packaging quantity 1
Weight, net 10 kg | 22.046 lb

Regulatory Compliance/Certifications

Agency	Classification
CHINA-ROHS	Below maximum concentration value
ISO 9001:2015	Designed, manufactured and/or distributed under this quality management system

MT-651-96

REACH-SVHC	Compliant as per SVHC revision on www.commscope.com/ProductCompliance
ROHS	Compliant
UK-ROHS	Compliant

