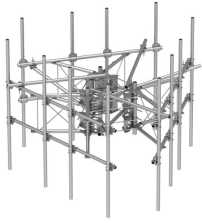


MTC3752M3HDX



G2 Series High Capacity 3-Sector Monopole Frame, 12 ft 6 in 2.88 in OD face pipes, includes twelve 96 in 2.88 in OD antenna pipes plus six 96 in RRU pipes; For patents, see www.cs-pat.com.

Product Classification

Product Type	High capacity monopole sector frame
Ordering Note	NSTD445 Compliant

General Specifications

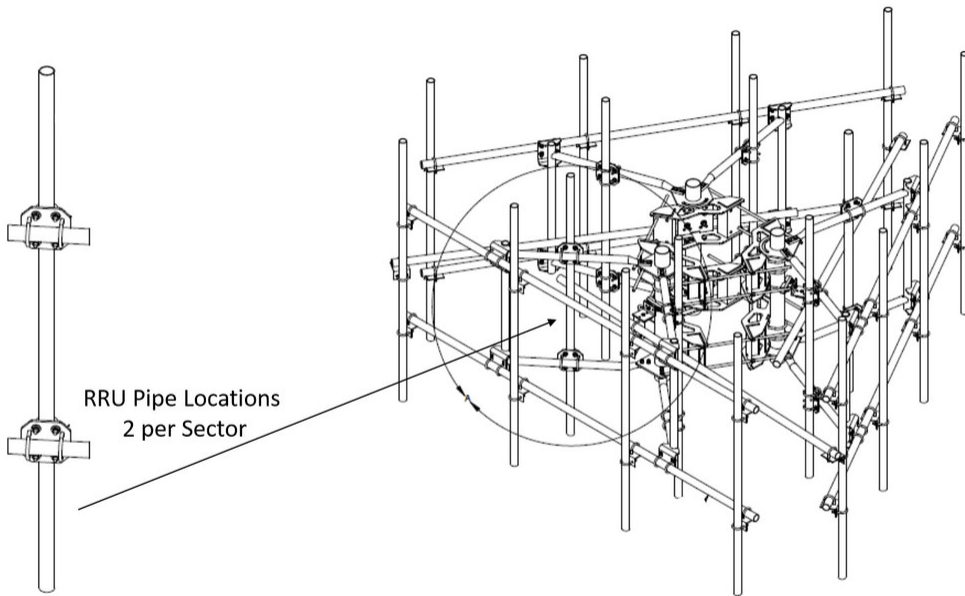
Mounting	Monopole, 381–1270 mm (15–50 in) OD
Pipe, quantity	18
Sectors, quantity	3

Dimensions

Height	2,438.4 mm 96 in
Face Width	3.81 m 12.5 ft
Width	3,810 mm 150 in
Pipe Length	2,438.4 mm 96 in
Face Support Pipe Diameter	73.025 mm 2.875 in
Mounting Diameter, maximum	1270 mm 50 in
Mounting Diameter, minimum	304.8 mm 12 in
Pipe Outer Diameter	73.025 mm 2.875 in
Stand-off Distance	1,117.6 mm 44 in

Outline Drawing

MTC3752M3HDX



PATENT PENDING

Material Specifications

Material Type Hot dip galvanized steel

Mechanical Specifications

Wind Rating For Specifications, please contact your local ANDREW representative

Wind Rating Test Method TIA/EIA-222

Packaging and Weights

Included Pipe mounts | Plain end pipes (12) | RRU Pipes (6) | Ring mounts (2) | Sector frames (3) | Stiff arm

Packaging quantity 1

Weight, net 991.099 kg | 2185 lb

Regulatory Compliance/Certifications

Agency	Classification
ISO 9001:2015	Designed, manufactured and/or distributed under this quality management system

* Footnotes

Wind Rating BWS—Base Wind Speed; FBC—Florida Building Code

MTC3752M3HDX
