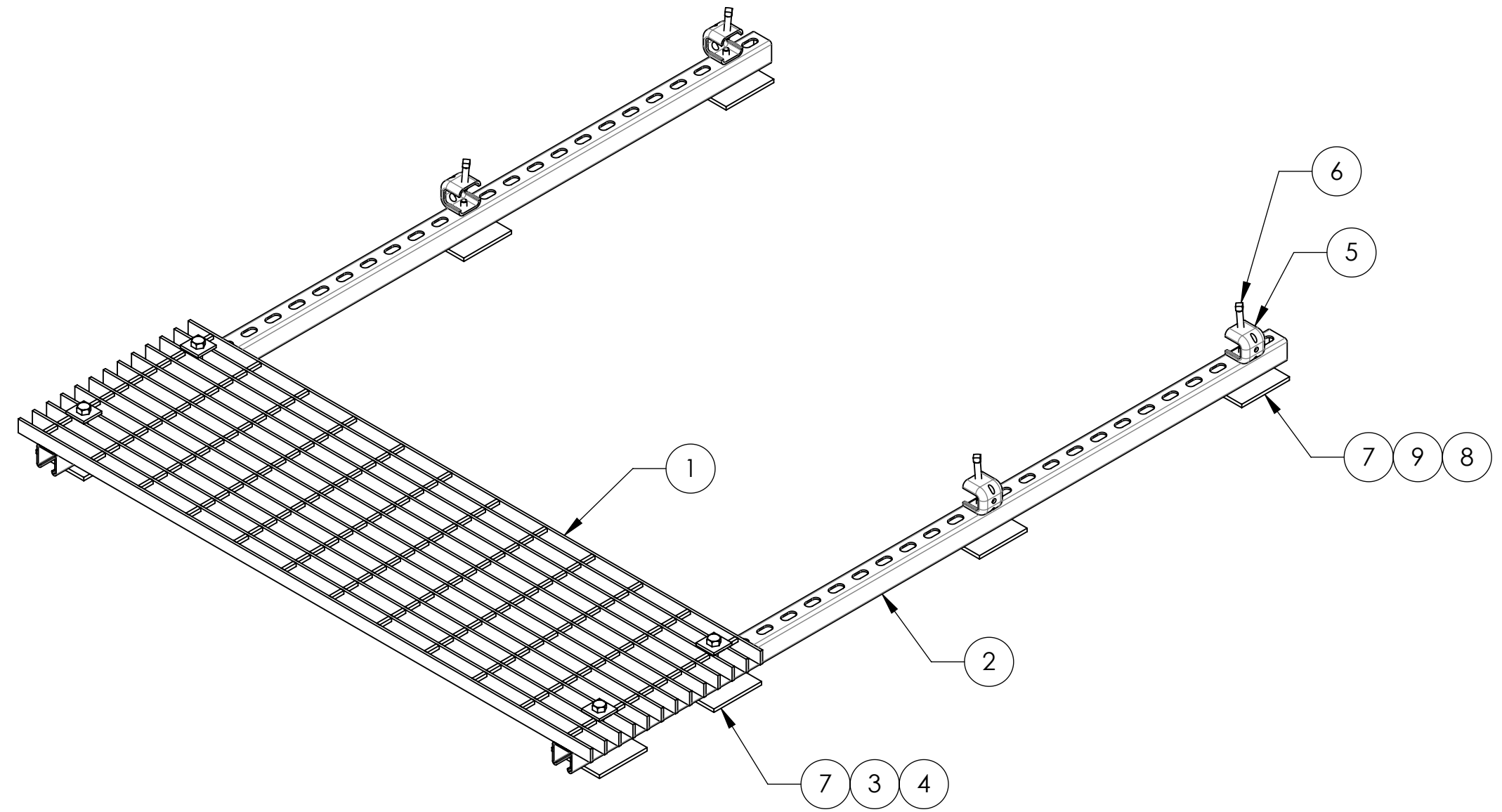
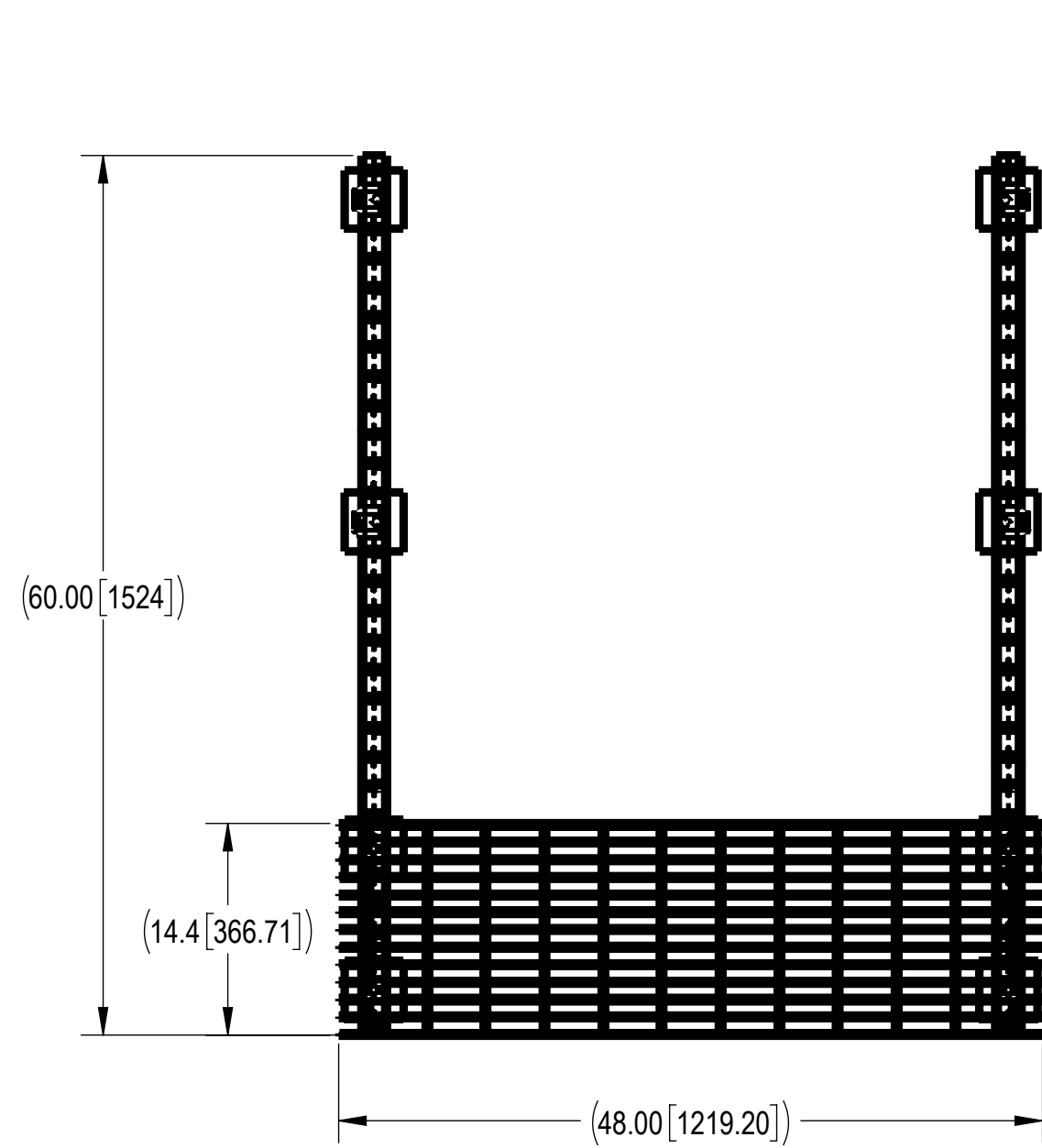


- 1.0 GENERAL NOTES
  - 1.1 ALL METRIC DIMENSIONS ARE IN BRACKETS [X. X]
  - 1.2 FOR PATENT INFO: <https://www.cs-pat.com>
- 2.0 DESIGN NOTES
- 3.0 MANUFACTURING/SPECIAL REQUIREMENTS
  - 3.1 TIGHTEN ALL BOLTS SECURING FLAT PLATES BY THE TURN-OF-NUT METHOD. TIGHTEN ALL U-BOLTS USING TURN-OF-NUT METHOD WITH ATTENTION TO LEAVE EQUAL DISTANCE AND EQUAL FORCE ON EACH LEG OF THE U-BOLT.
- 4.0 TEST
- 5.0 PACKAGING
  - 5.1 PACKAGING SHALL MEET COMMSCOPE REQUIREMENTS PER DOCUMENT IS-PL-3005
  - 5.2 PRINTED DOCUMENT TO BE PLACED INSIDE POLYBAG AND THEN IN SHIPPING CONTAINER
  - 5.3 EXTRA HARDWARE MAY BE SUPPLIED, BAGGED AND SHIPPED

REVISIONS			
REV.	DESCRIPTION	DATE	APPROVED
A	INITIAL RELEASE	ACG 02/18/05	
B	ADD 4 FLAT WASHERS, REPLACE MT-516 WITH MT515, AND REPLACE SB-0424 WITH GB-03245	ACG 11/03/05	
C	UPDATED DRAWING TO NEW FORMAT	RY1002 13MAR24	BCROSS 40190872CMO



COMPONENT PART NUMBERS PROVIDED FOR ASSEMBLY PURPOSES;  
INDIVIDUAL COMPONENTS MAY BE SHIPPED AS PARTS WITHIN AN INCLUDED KIT.

ITEM	PART NO.	DESCRIPTION	QTY.	WEIGHT	NOTE NO.
1	EQSTS01	PLATFORM STEP BAR GRATING	1	35.66 LBS	
2	MT50460	UNISTRUT, SLOTTED, GALV, 1-5/8 SQ X 60"	2	10.17 LBS	
3	GB-04405	1/2" X 4" GALV BOLT KIT	4	0.27 LBS	
4	MT-388	WASHER, 1-1/2" X 1 1/2", 9/16"HOLE,SQ	4	0.11 LBS	
5	45840G-1	HANGER CLAMP	4	0.38 LBS	
6	GB0316-4	SQUARE HEAD SET SCREW, 3/8-16X1-3/4	4	0.07 LBS	
7	MT25002	BACKING PLATE	8	1.11 LBS	
8	GB-03245	3/8" X 2-1/2" GALV BOLT KIT	4	0.10 LBS	
9	GWF-03	3/8" GALV FLAT WASHER	4	0.01 LBS	

**COMMSCOPE, INC. OF NORTH CAROLINA**

TOLERANCES		SAP MATERIAL MASTER	
1 PLACE .X[X] ± 0.06[1.5]	3 PLACE .XXX[X] ± 0.010[0.3]	<b>EQ-STS</b>	
2 PLACE .XX[X] ± 0.03[0.8]	ANGLES ± 2°		
FINISH		MATERIAL	
UNLESS OTHERWISE SPECIFIED DIMENSIONS ARE IN INCHES INTERPRET PER ANSI Y 14.5M-1994		NAME	DATE
		CE ACG	02/18/05
		RW RY1002	03/18/2024
		AD YMENG	03/27/2024
		RE YMENG	03/27/2024
TITLE		<b>PLATFORM STEP</b>	
ECN 40190872CMO		SCALE	DOCUMENT NO.
		<b>1:16</b>	<b>EQ-STS</b>
SIZE	Auth Group	INSL	MODEL
<b>C</b>			
DRAWING		SHEET	
VERSION	STATUS	REVISION	VERSION
01	RE	C	01
STATUS		REVISION	
RE		C	
			1 OF 1

DENSITY		lbs/in <sup>3</sup>
MASS	68.86	lbs
VOLUME	243.15	in <sup>3</sup>
SURFACE AREA	3320.36	in <sup>2</sup>
HEIGHT	6.3"	
LENGTH	60.0"	
WIDTH	48.0"	