

## NOVUX™ Fiber Optic System NVX-GRND-CC-NN-C15: Grounding kit for CC 150/200

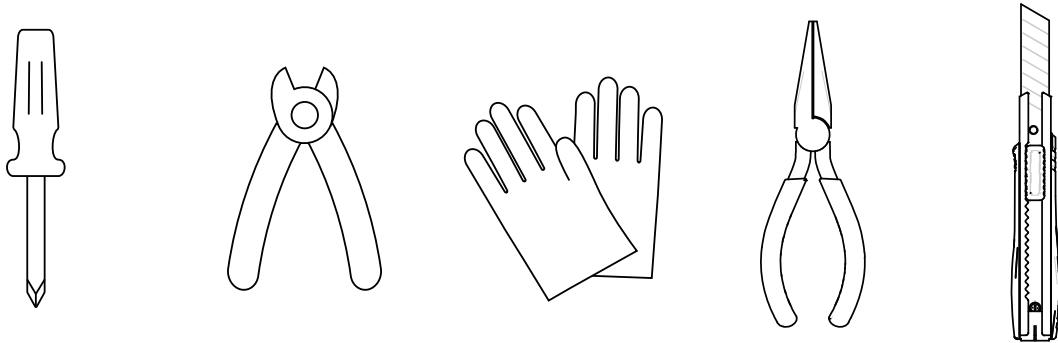
Applicable for CC 150/200

### 1 Compatibility

This grounding kit is compatible to use with the following cable retention modules:

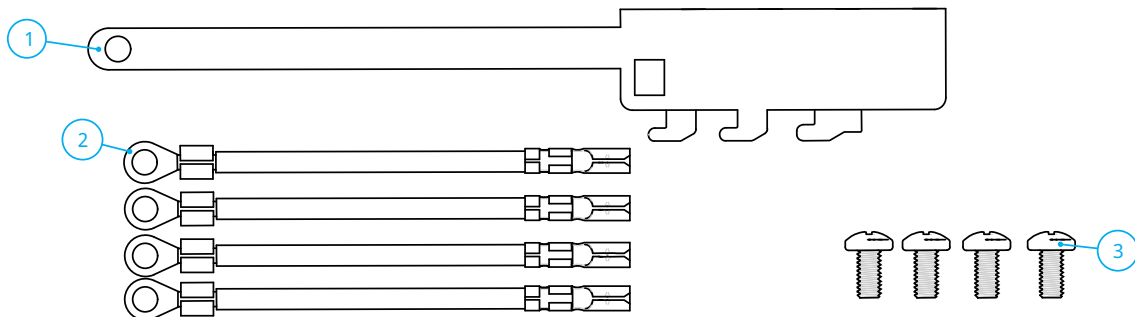
Cable retention module	Cable diameter range (mm)	Cable diameter range (Inches)
NVX-CR-SA-LA-NN: Cable retention - Large	6 - 18	0.24- 0.71

### 2 Tools



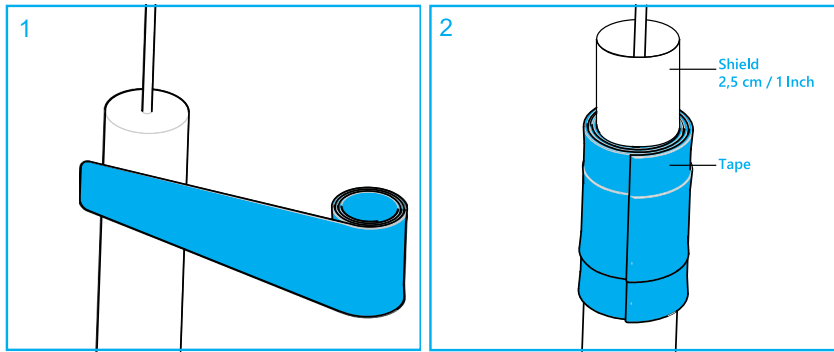
 **Note:** Wear protective safety gloves when handling the metal shield.

### 3 Kit contents

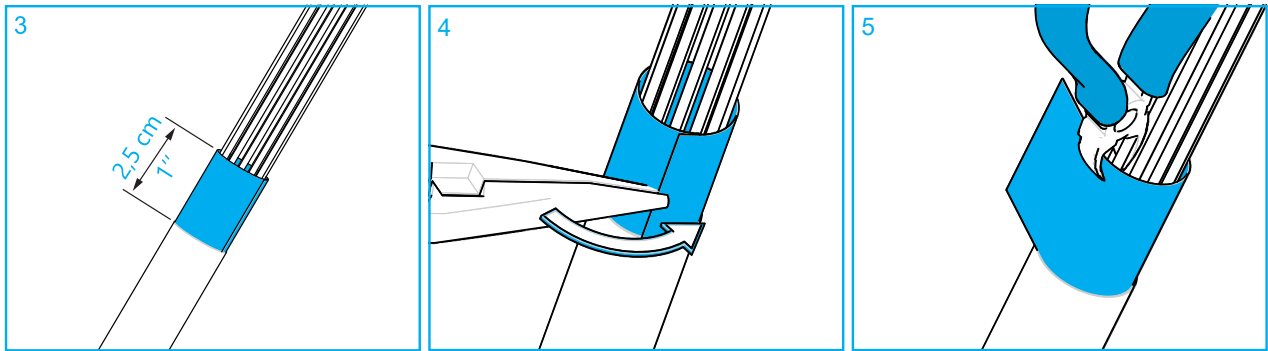


N°	Description	Qty
1	Grounding bar	1
2	Grounding cable	4
3	Screws	4

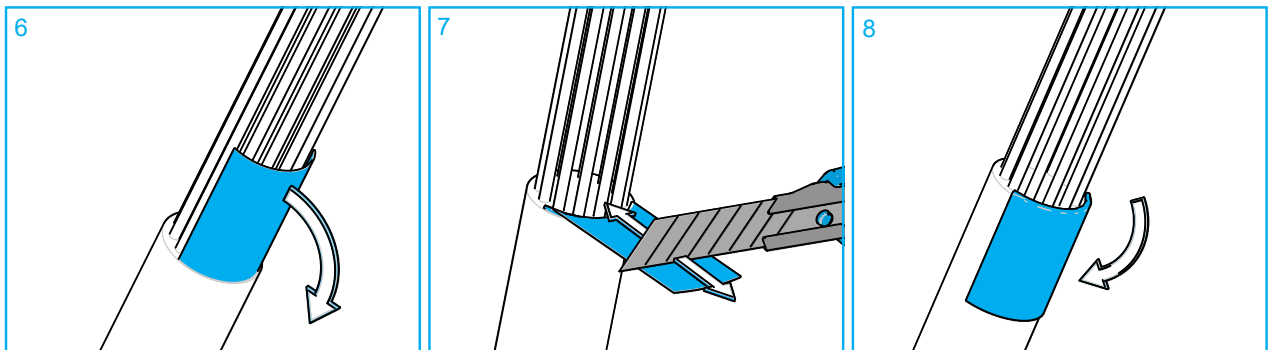
## 4 Prepare feeder cable




- 1 If the diameter is smaller than 9 mm / 0.35 Inches or if the jacket is a thin jacket, add 5 wraps of silicon tape (width 2,5 cm / 1 Inch).
- 2 Stretch the tape minimum 50% while wrapping the tape around the cable. Make sure the tape is wrapped where the hose clamp will be positioned.



- 3 Prepare the cable per standard practice. Leave 2,5 cm / 1 Inch of the shield.
- 4 Carefully peel the shield open with a pair of pliers until maximum 1/2 of the circumference stays in place.
- 5 Cut of the excess shield.

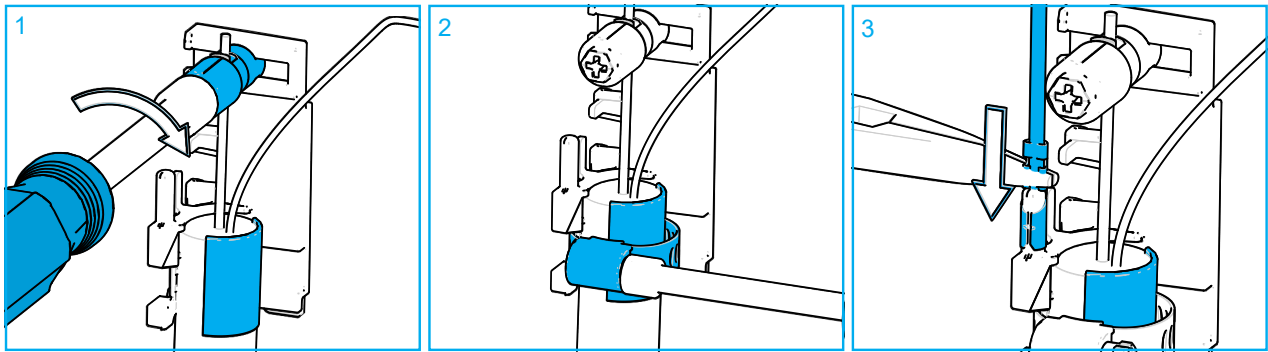


- 6 Bend the remaining part of the shield downwards.

 **Note:** Make sure to not crack the shield.

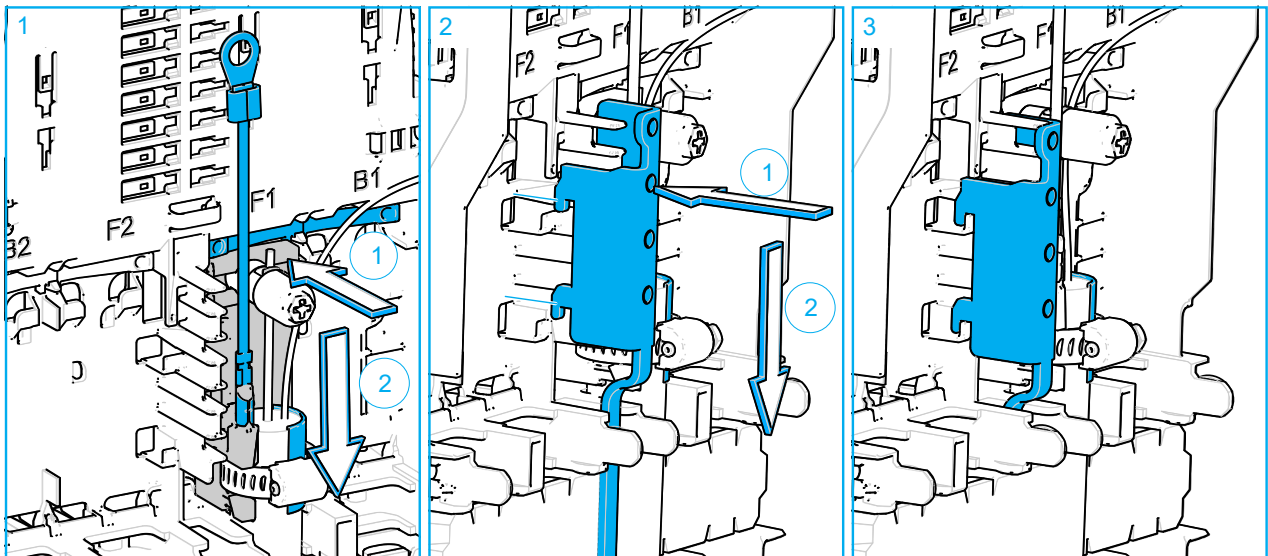
- 7 Remove the plastic coating on the shield with a cutter knife.
- 8 Bend the shield further downwards until it touches the cable jacket or the silicone tape.

## 5 Install the armored cable on the bracket

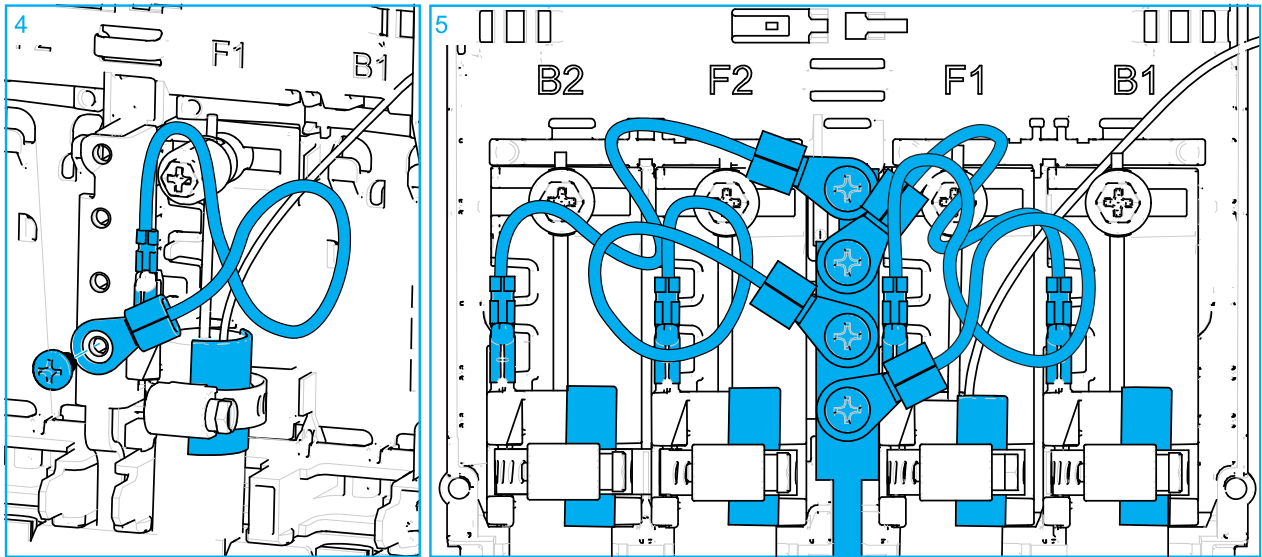


- 1 Position the cable on the bracket as shown and install the strength member (rigid strength member or aramid yarn) per practice as explained in the basic installation instruction or TC-1538-IP: Cable retention large.
- 2 Open the hose clamp and tighten the hose clamp with the hex 7 socket wrench.
- 3 Push the grounding wire with the clip over the stud on the metal bracket. A pair of pliers can be used to push it properly over the stud.

## 6 Install the grounding bar and bond the cables




- 1 Install the bracket into the organizer at the rear side as explained in the basic installation instructions.
- 2 Install the grounding bar in the middle of the organizer (rear side), between the entrance ports.
- 3 The grounding bar snaps into the organizer by sliding it downwards.



- 4 Bond the armored cable to the grounding bar by connecting the grounding wire to the grounding bar with one of the screws.
- 5 Example of 4 cables bond to the grounding bar.

## 7 Earthing

- 1 A grounding wire should be attached to the grounding bar. The hole at the end of the grounding bar can be used.  
 **Note:** This grounding wire is not included in the kit content.
- 2 Connect the grounding wire to an object outside the closure per local practice.