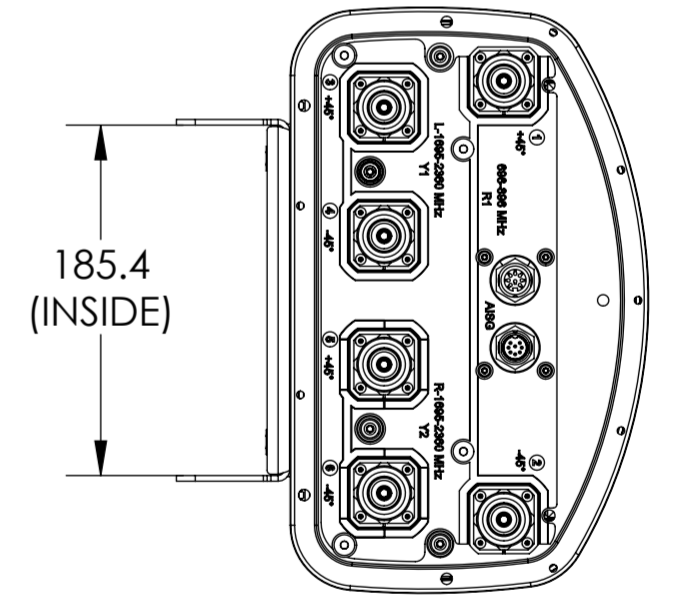
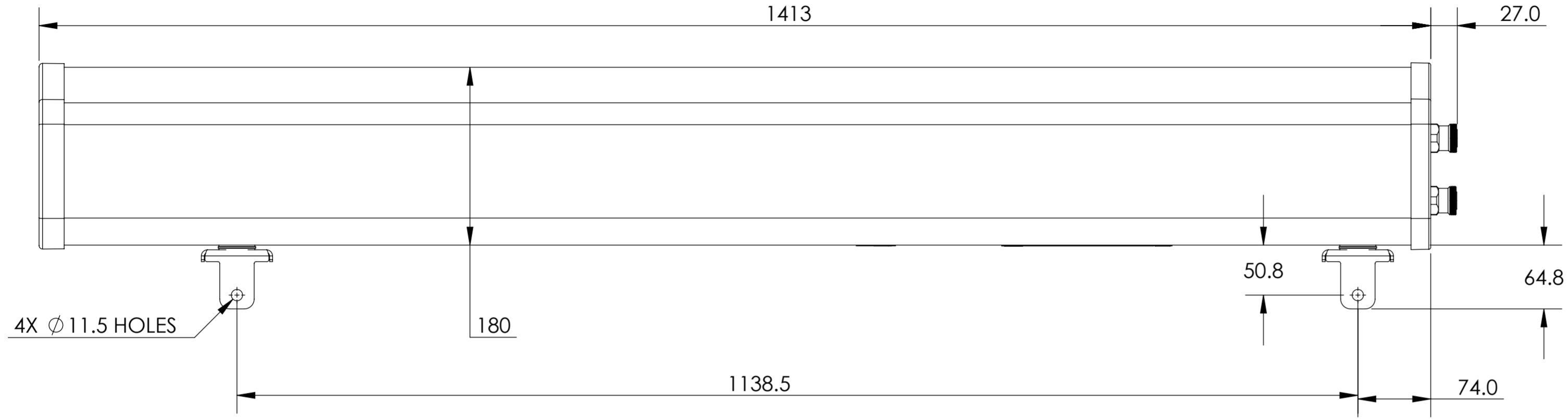


NOTES:

REVISIONS			
REV	DESCRIPTION	DATE	APPROVED
A	ECR 7002684: REL TO PRODUCTION PER EAO 4008275.	24JUN13 YMH	L.YU/DUNHAO
E	ECR 8000005761: ADD SBNHH-1D65A-SR.	13NOV14 XHX	S.LIU/JIHE
F	ECR 8000006495: UPDATE DRAWING WITH LATEST MODEL.	16JAN15 YR	S.LIU/JIHE
G	ECR 8000006971: UPDATE DRAWING WITH LATEST MODEL.	28FEB15 ZW	EB/GD
H	ECR 40159970CMO: UPDATE DRAWING WITH LATEST MODEL.	22FEB23 SL	PL.TANG/HANSEN.W



SBNHH-1D65A
SBNHH-1D65A.TMO
SBNHH-1D65A-SR

MATERIAL N/A	DENSITY: MASS:	UNLESS OTHERWISE SPECIFIED DIMENSIONS ARE IN MILLIMETERS INTERPRET PER ISO STANDARDS HANDBOOK TECHNICAL DRAWINGS VOLUMES 1 & 2, THIRD EDITION (2002)	WESTCHESTER, IL. 60154 U.S.A.					
FINISH N/A	TOLERANCES 0 PLACE X ± 1 PLACE .X ± 2 PLACE .XX ± ANGLES ± ALL SURFACES ✓	THIRD ANGLE PROJECTION	PRODUCT DRAWING					
			DRAWN BY YMH 24JUN13 ECN 40159970CMO	SIZE A2 CAGE CODE 84147 DOCUMENT NO. SBNHH-1D65A-L				
NOTICE: These drawings and specifications are the proprietary property of ANDREW CORPORATION and may be used only for the specific purpose authorized in writing by Andrew.		AUTH. GROUP BSA	MODEL	DRAWING	SHEET			
		VERSION 12	STATUS RE	REVISION M	VERSION 07	STATUS RE	REVISION H	1 OF 1