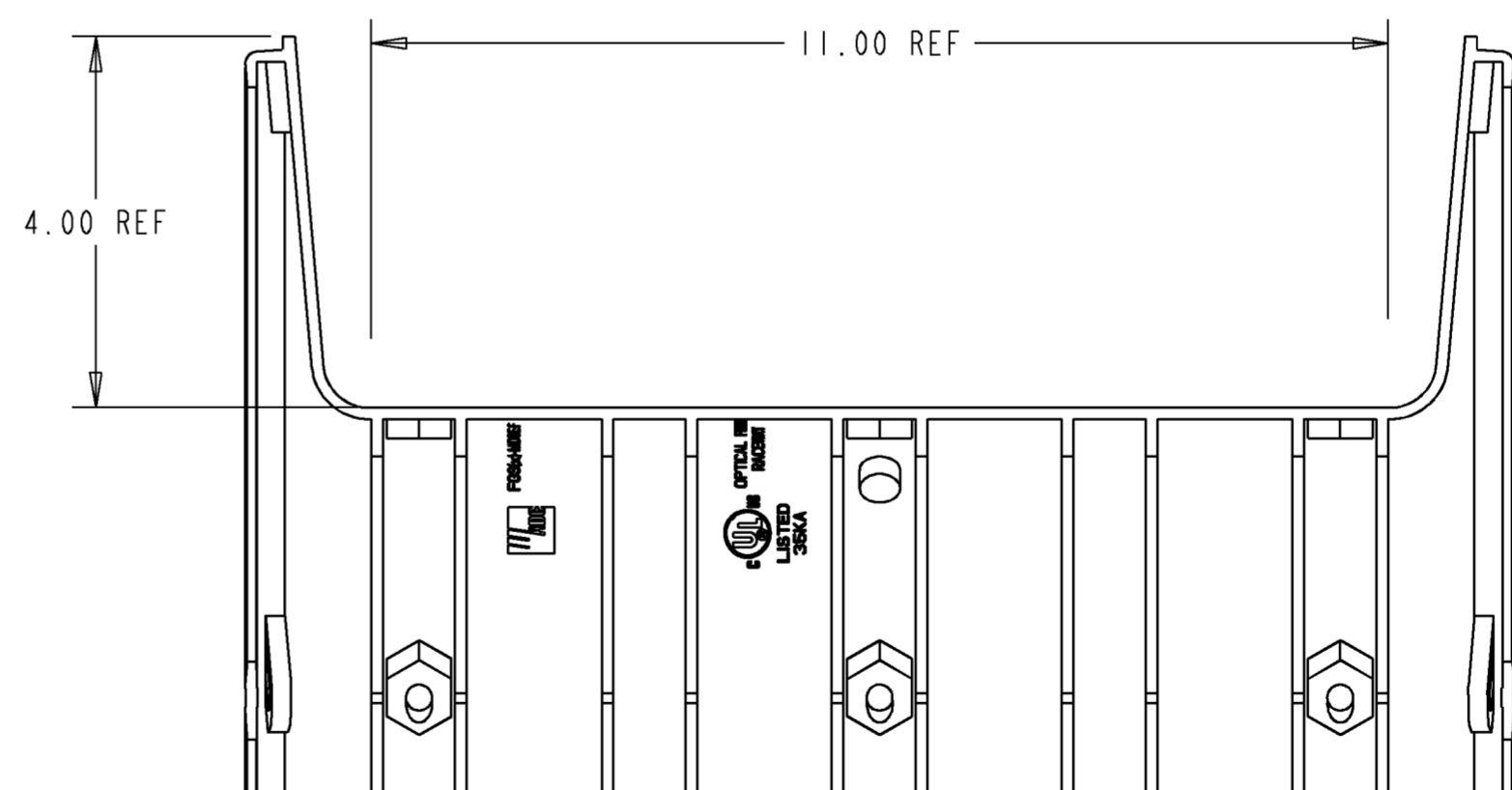
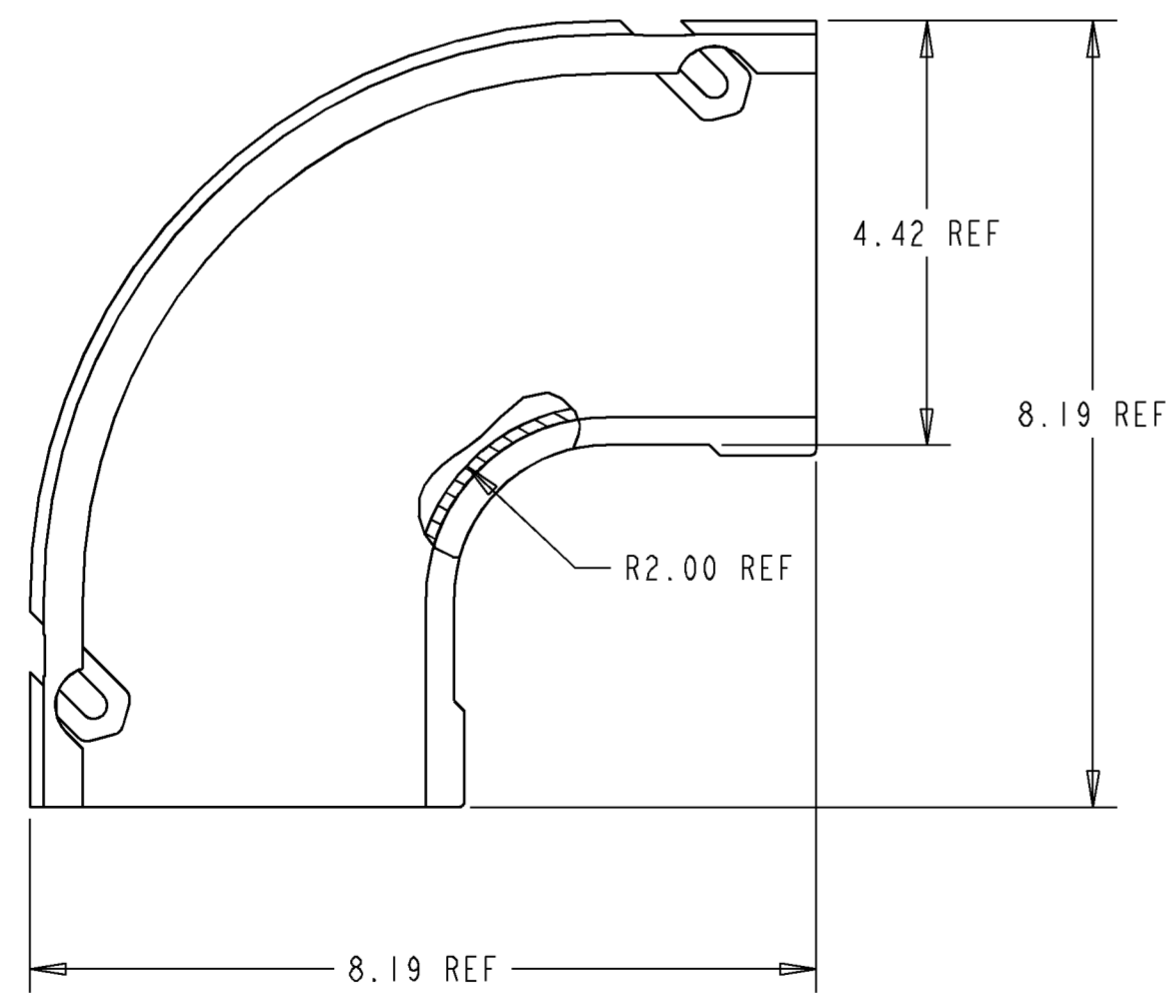
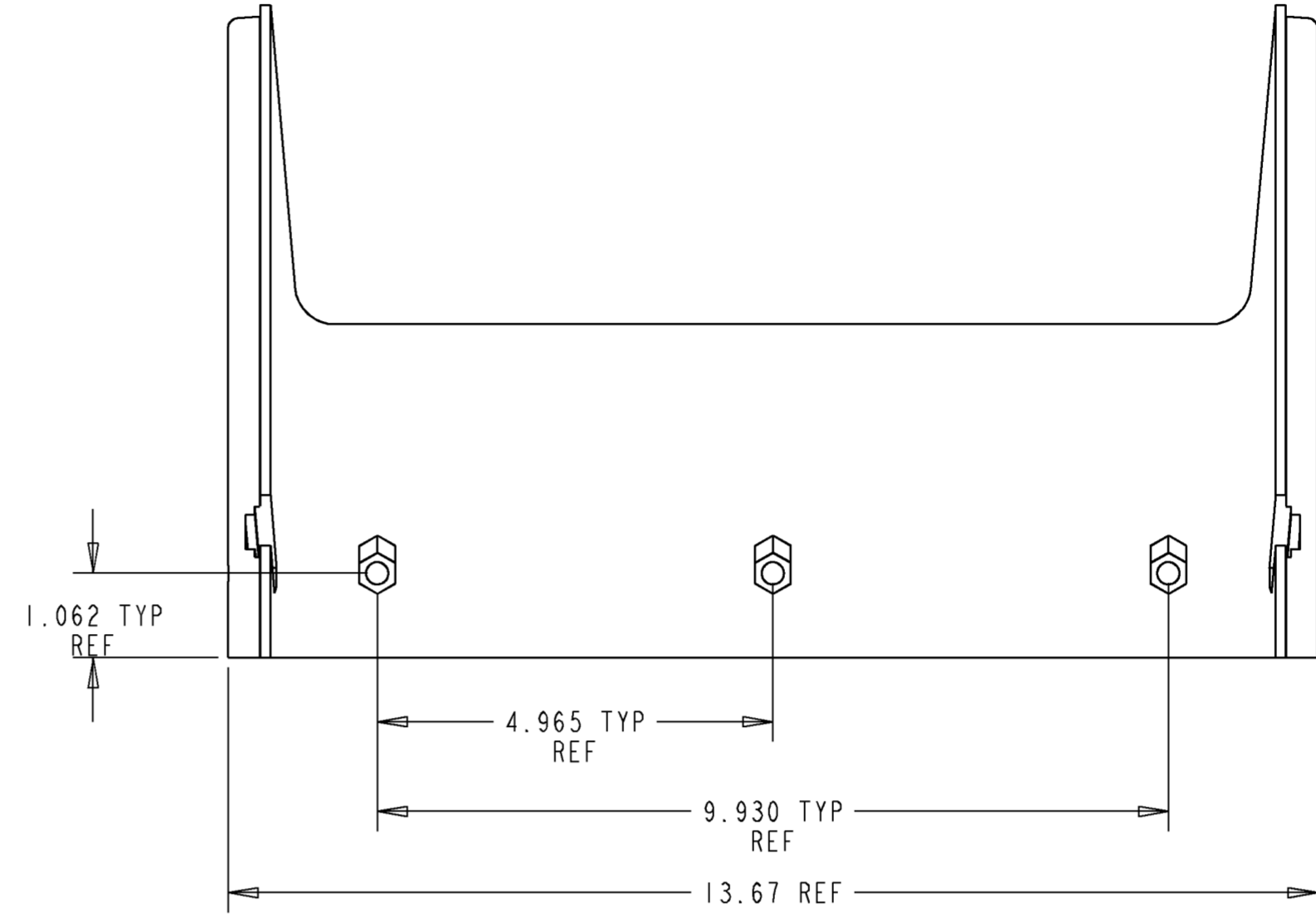
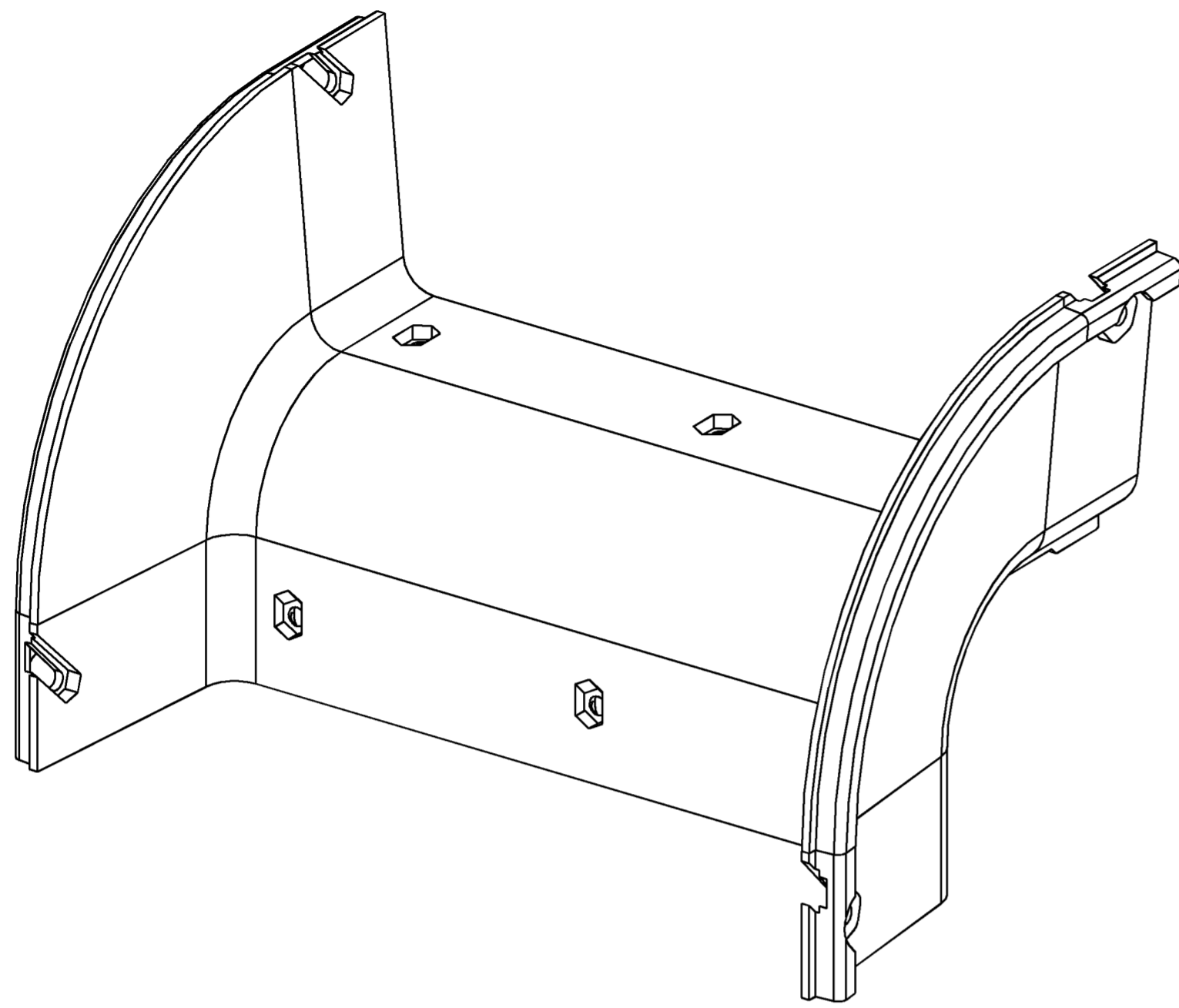


REV	MCO	DWN	DATE
A	20019792	TH	12/28/98
B	20238853	AED	28-APR-08



NOTES:

1. MATERIAL IS SELF EXTINGUISHING WITH A UL 94 RATING OF V-0.

CATALOG NO.	COLOR
FGSB-MD9E-F	BLACK
FGS-MD9E-F	YELLOW
FGSO-MD9E-F	ORANGE



INFORMATION ON THIS DOCUMENT IS PROPRIETARY TO ADC AND SHALL NOT BE USED, COPIED, REPRODUCED OR DISCLOSED IN WHOLE OR IN PART WITHOUT WRITTEN CONSENT OF ADC.

ALL DIMS AND TOLERANCES .XX:±.01 ARE INCHES UNLESS .XXX:±.005 OTHERWISE SPECIFIED ANGULAR:±1°

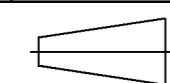
DO NOT SCALE DRAWING

TITLE
ELBOW, 90° DOWN
4X12, FGS

DRAWING NUMBER
1044468

ENGR: T. HAATAJA
DWN: DAN HECKSEL

SHT. 1 OF 1



DIMENSIONS IN INCHES
THIRD ANGLE PROJECTION