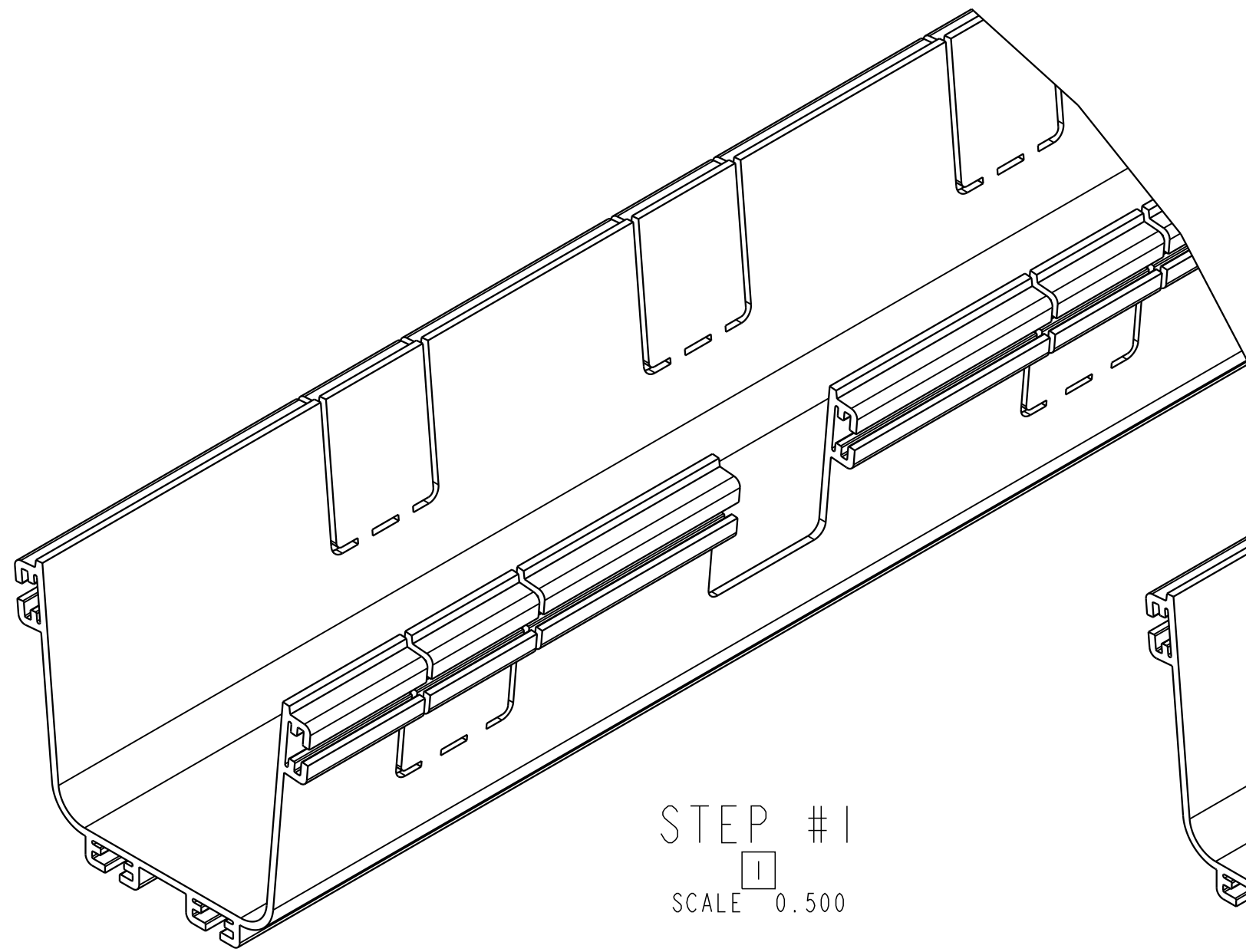
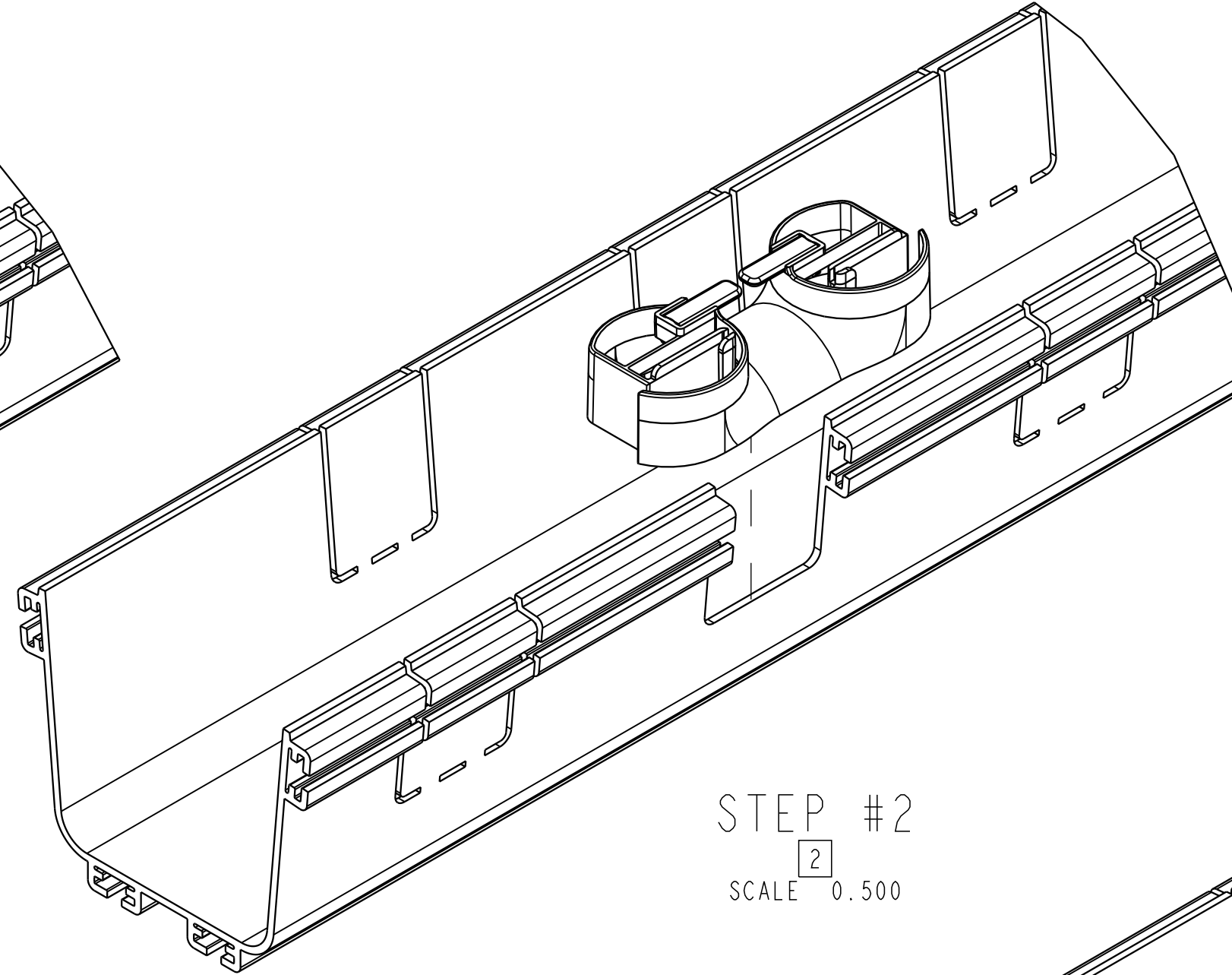


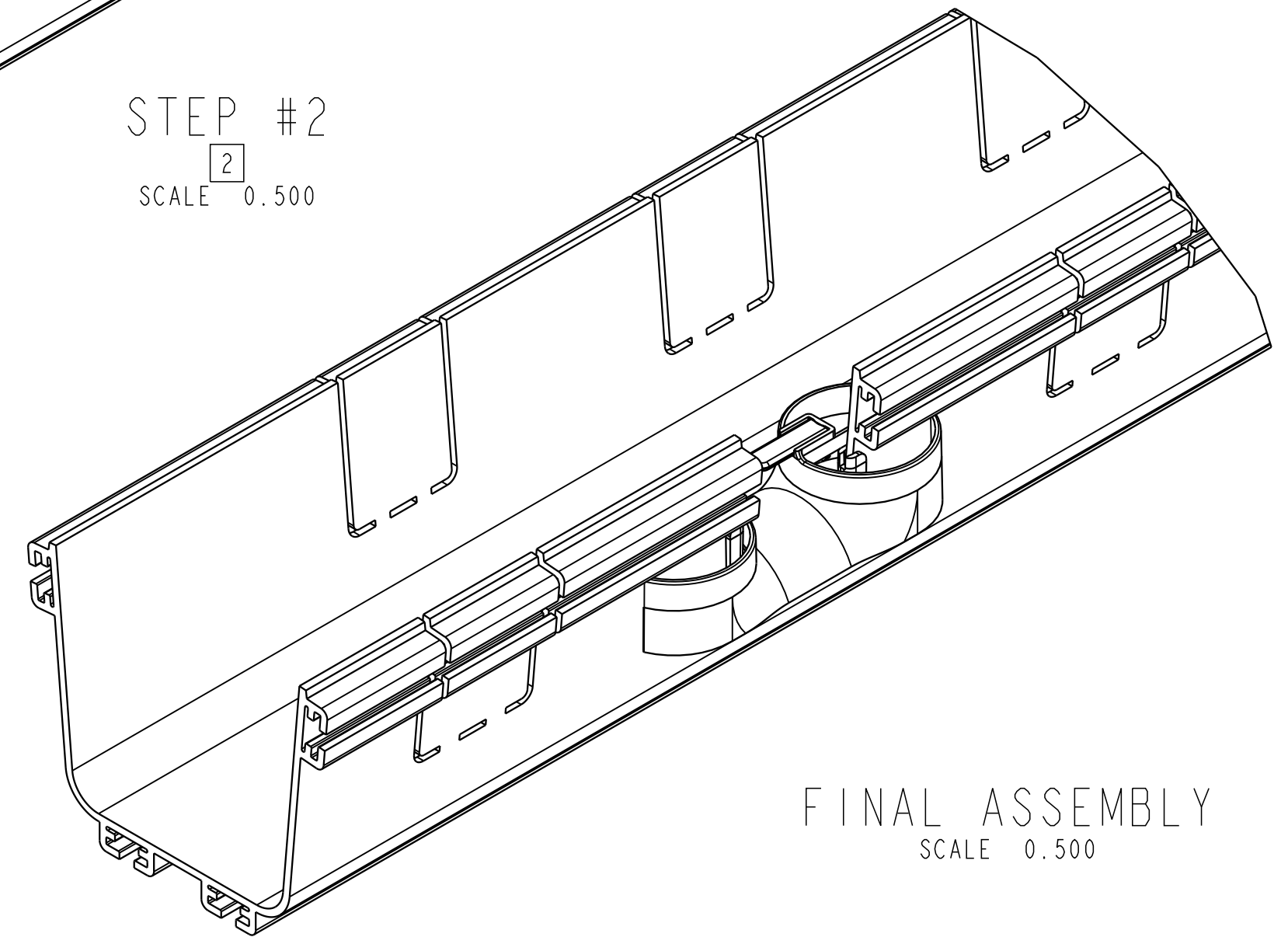
REV	MCO	DWN	DATE
B	20344387	EEG	07-AUG-13
C	40032750MCO	JUM	05-AUG-16



STEP #1
SCALE 0.500



STEP #2
SCALE 0.500



FINAL ASSEMBLY
SCALE 0.500

NOTES:

- 1 REMOVE THE WALL (PRE CUTED) TO INSTALL THE 3 SIDE TRUMPET.
- 2 SNAP IN PLACE THE 3 SIDE TRUMPET INTO THE AREA WHERE THE WALL WAS REMOVED.

CATALOG NUMBER:
FGSB-VQE22-RW

COMMSCOPE, INC.

<small>© 2016 COMMSCOPE, INC. CONFIDENTIAL NOTICE: THESE DRAWINGS AND SPECIFICATIONS ARE THE PROPRIETARY PROPERTY OF COMMSCOPE, INC. AND MAY BE USED ONLY FOR THE SPECIFIC PURPOSE AUTHORIZED IN WRITING BY COMMSCOPE, INC.</small>		TITLE FGSB 2IN 3-SIDED TRUMPET HORIZONTAL I. D.	
<small>ALL DIMS AND TOLERANCES ARE INCHES UNLESS OTHERWISE SPECIFIED</small>		C SIZE	DRAWING NUMBER 300001775567
DO NOT SCALE DRAWING		ENGR: ERIK ESTRADA DWN: ERIK ESTRADA	SHT. 1 OF 1

DIMENSIONS IN INCHES
THIRD ANGLE PROJECTION