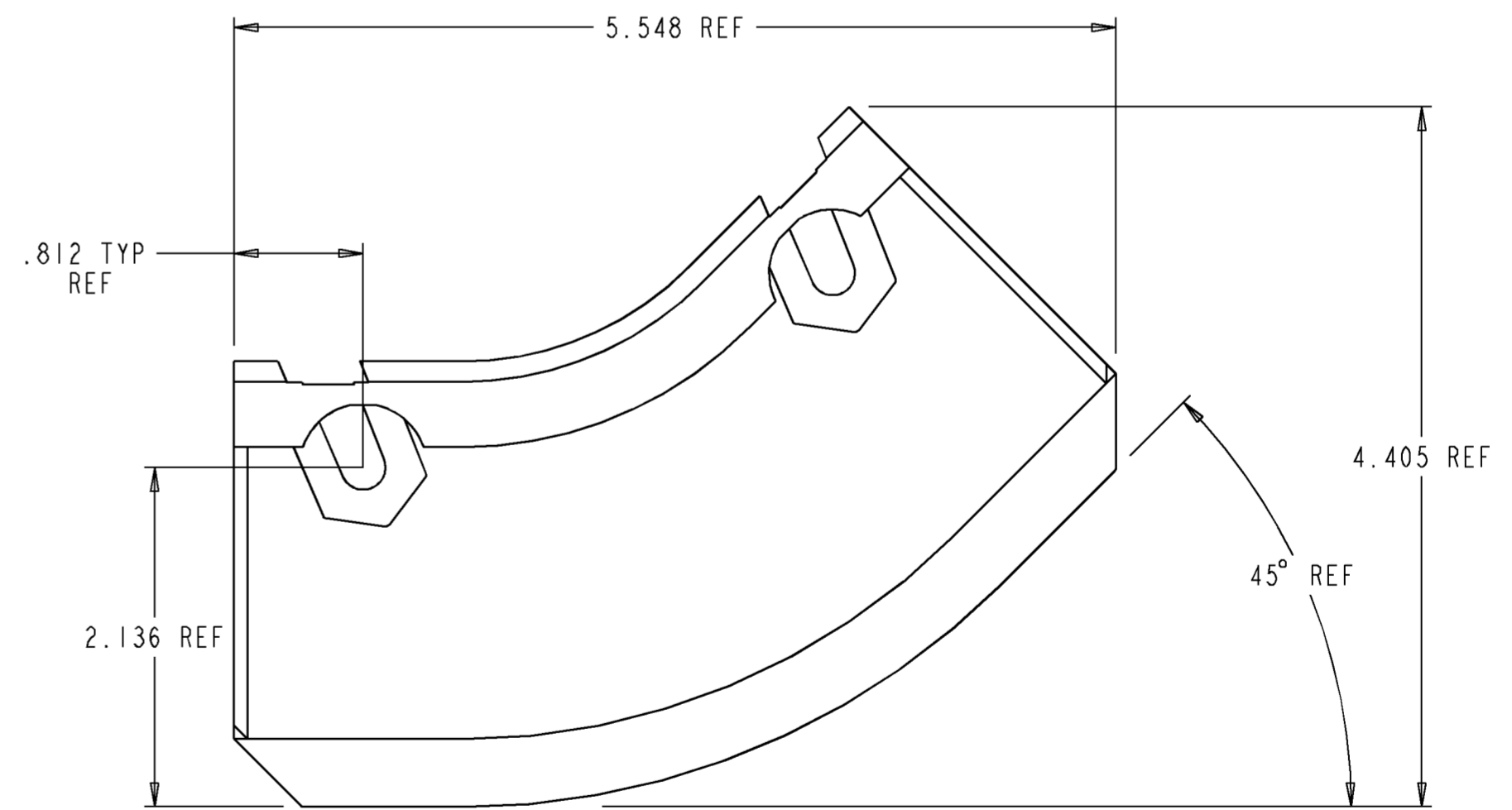
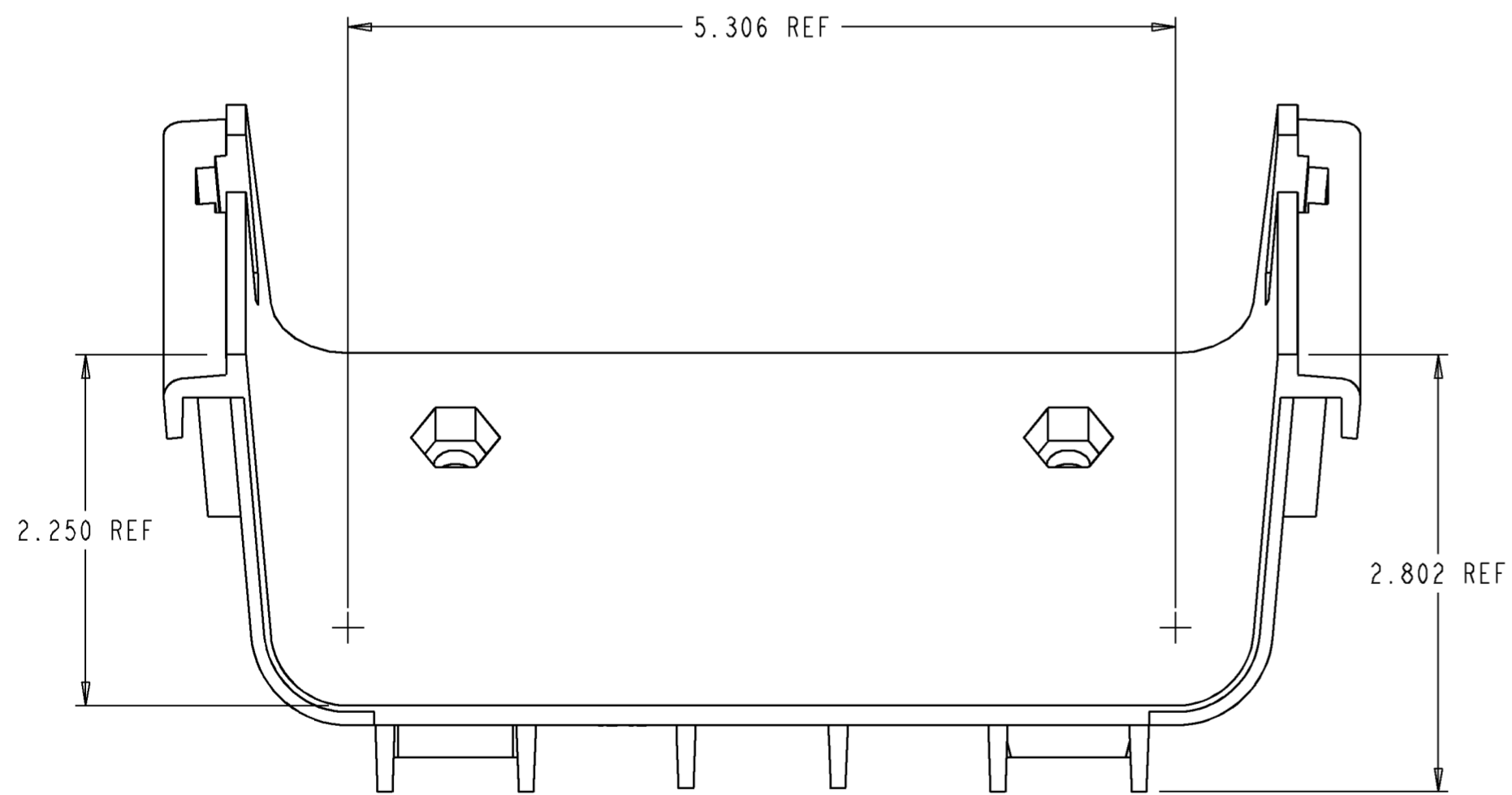
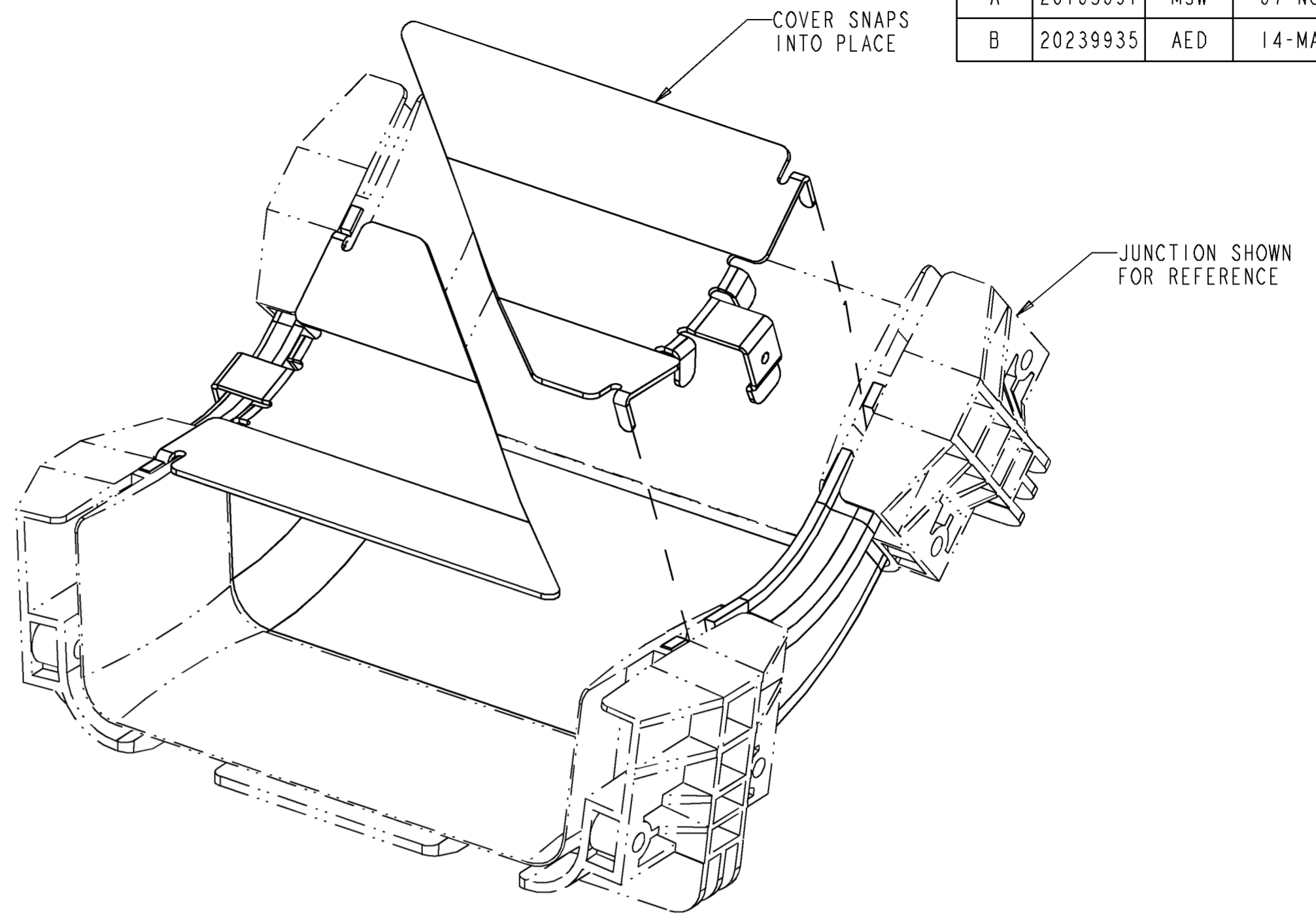
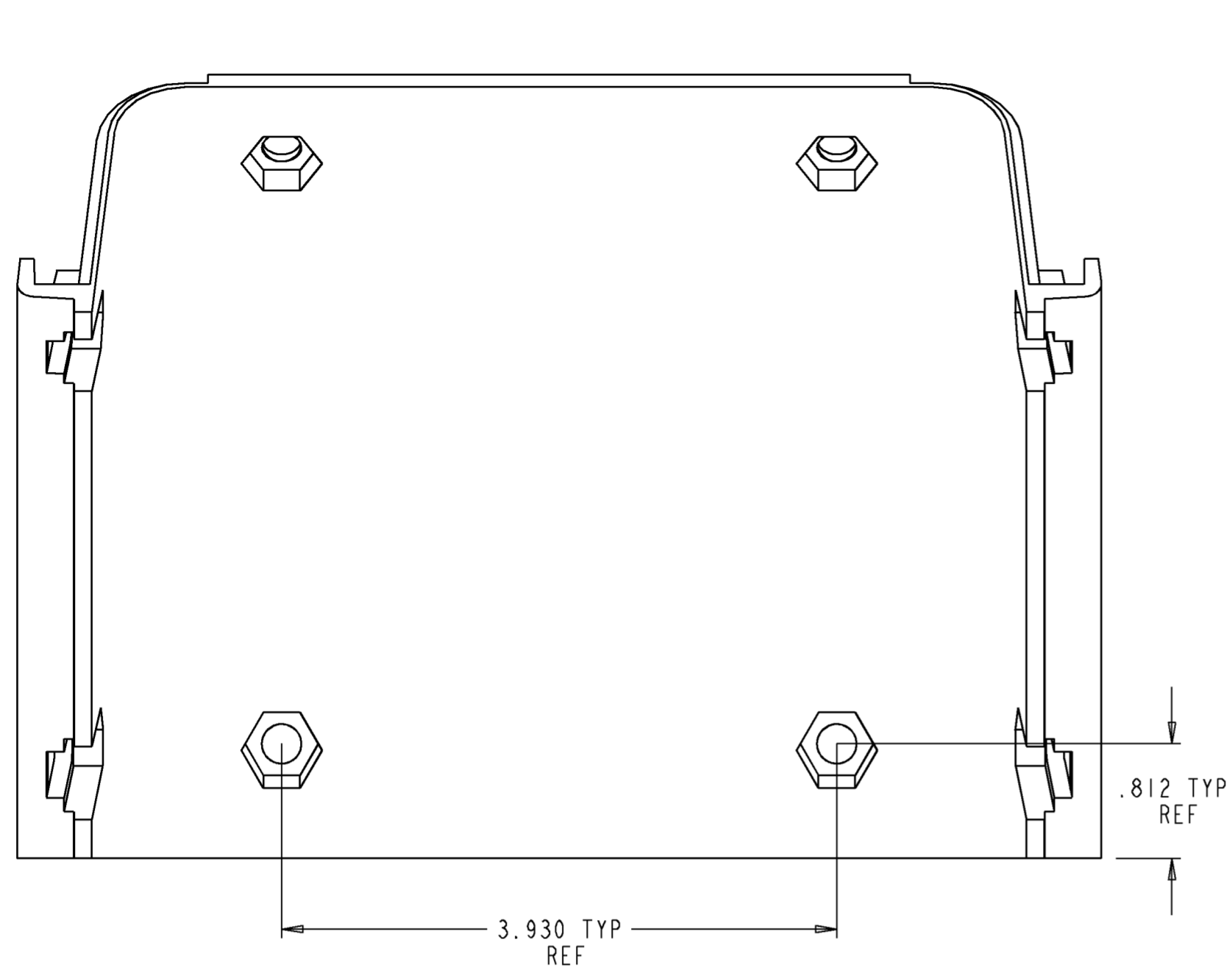


REV	ECO	DWN	DATE
A	20105091	MJW	07-NOV-01
B	20239935	AED	14-MAY-08



FGSB-MU4E-G	BLACK
FGSS-MU4E-G	SMOKE
FGS-MU4E-G	YELLOW
CATALOG NO.	COLOR

NOTE:

- MATERIAL IS SELF EXTINGUISHING WITH A UL 94 RATING OF V-0.



INFORMATION ON THIS DOCUMENT IS PROPRIETARY TO ADC AND SHALL NOT BE USED, COPIED, REPRODUCED OR DISCLOSED IN WHOLE OR IN PART WITHOUT WRITTEN CONSENT OF ADC.

ALL DIMS AND TOLERANCES ARE INCHES UNLESS OTHERWISE SPECIFIED

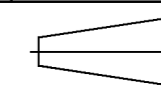
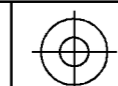
TITLE  
INSTALLATION DRAWING  
ELBOW, 45 UP, 2X6, FGS

DO NOT SCALE DRAWING

ENGR: MATT FERRIS  
DWN: JASON DANNER

DRAWING NUMBER  
1189159

SHT. 1 OF 1



**DIMENSIONS IN INCHES  
THIRD ANGLE PROJECTION**