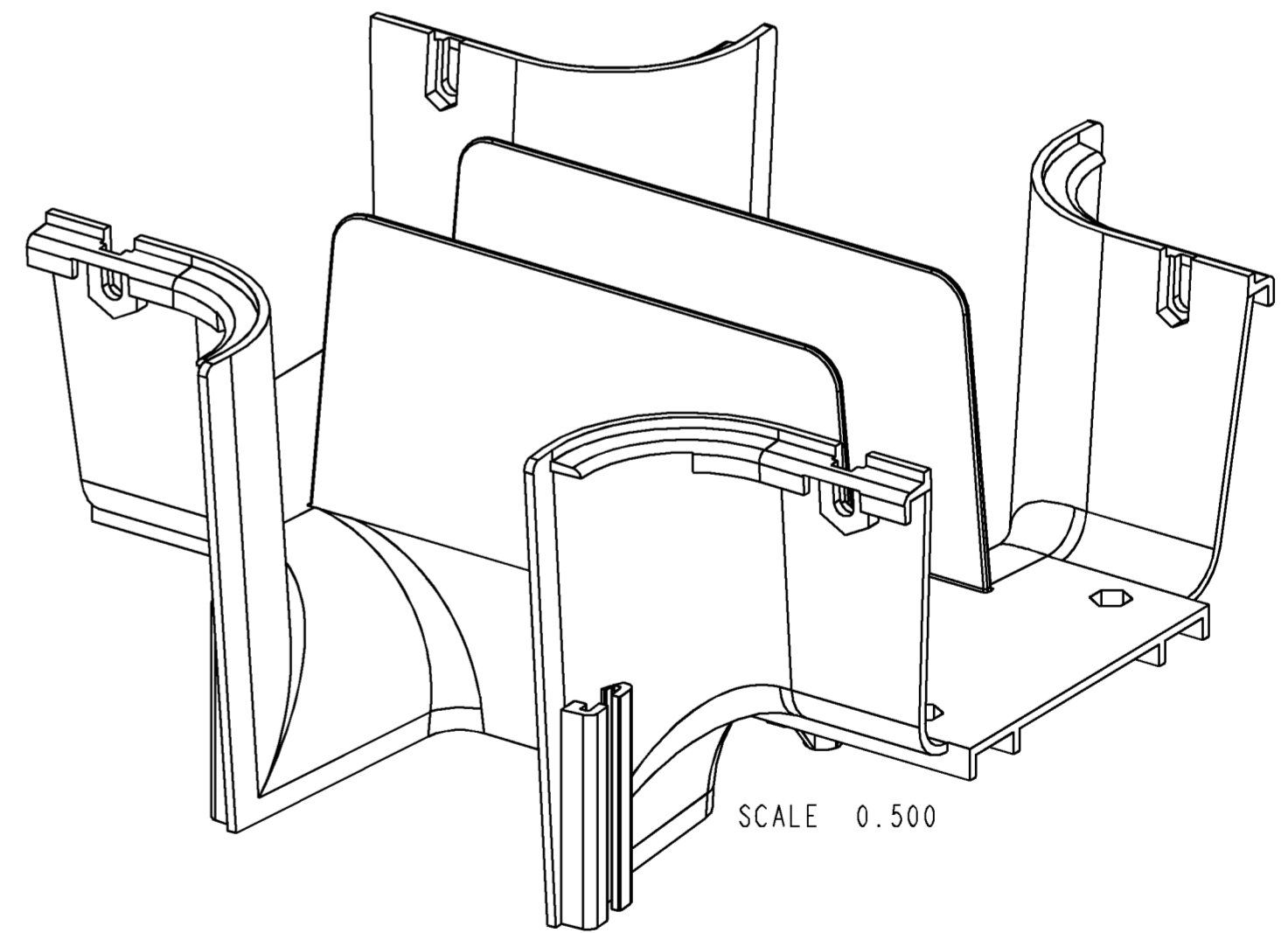
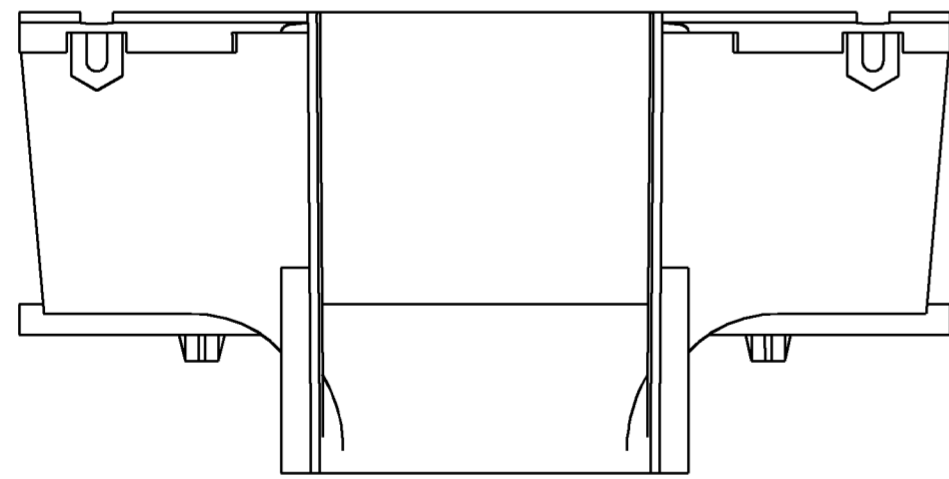
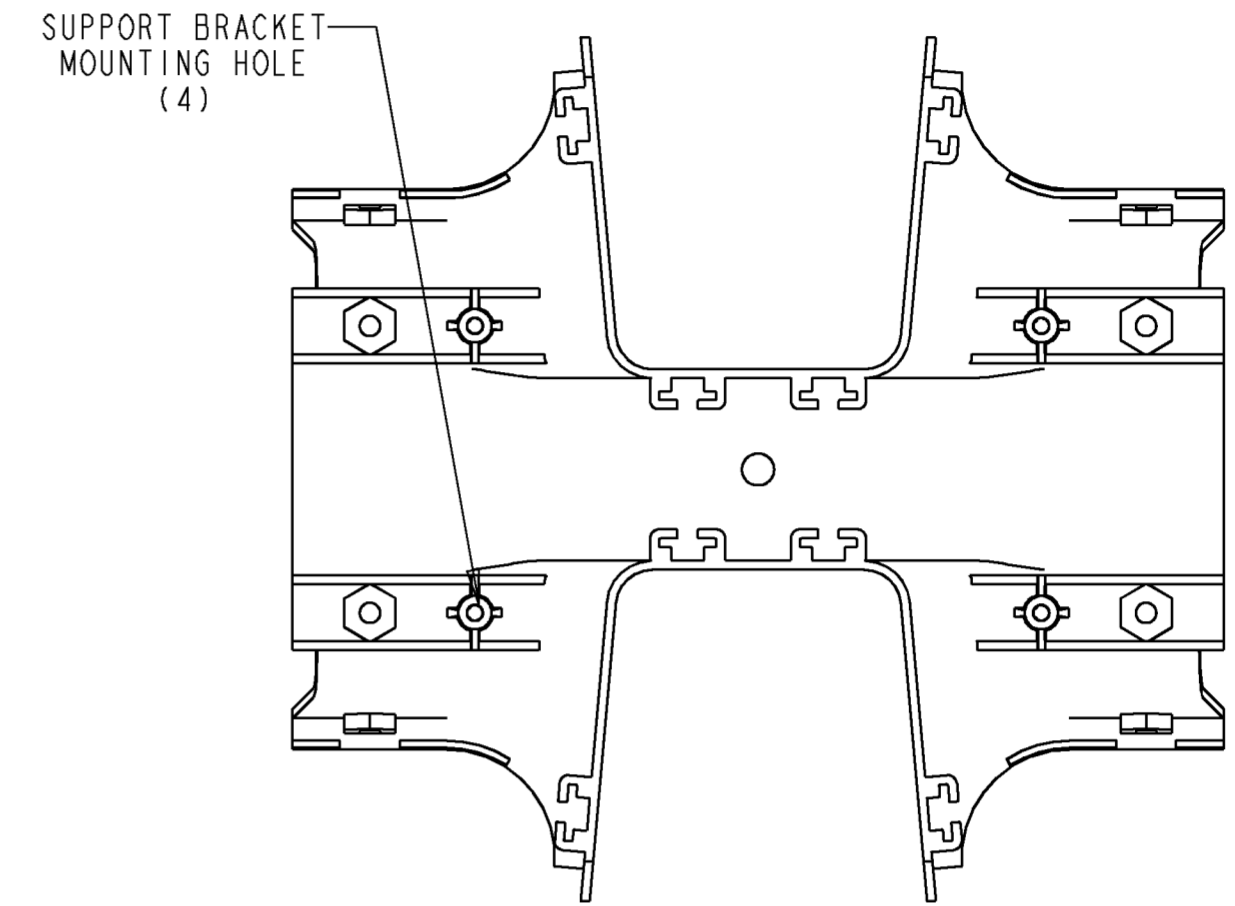
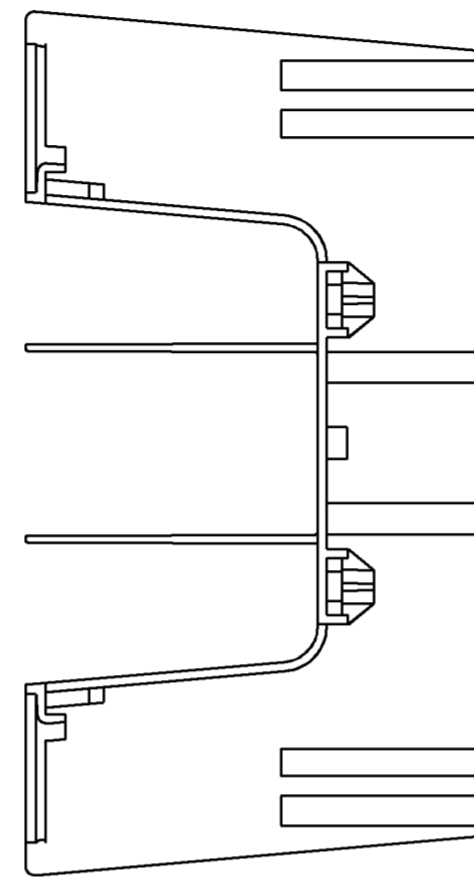
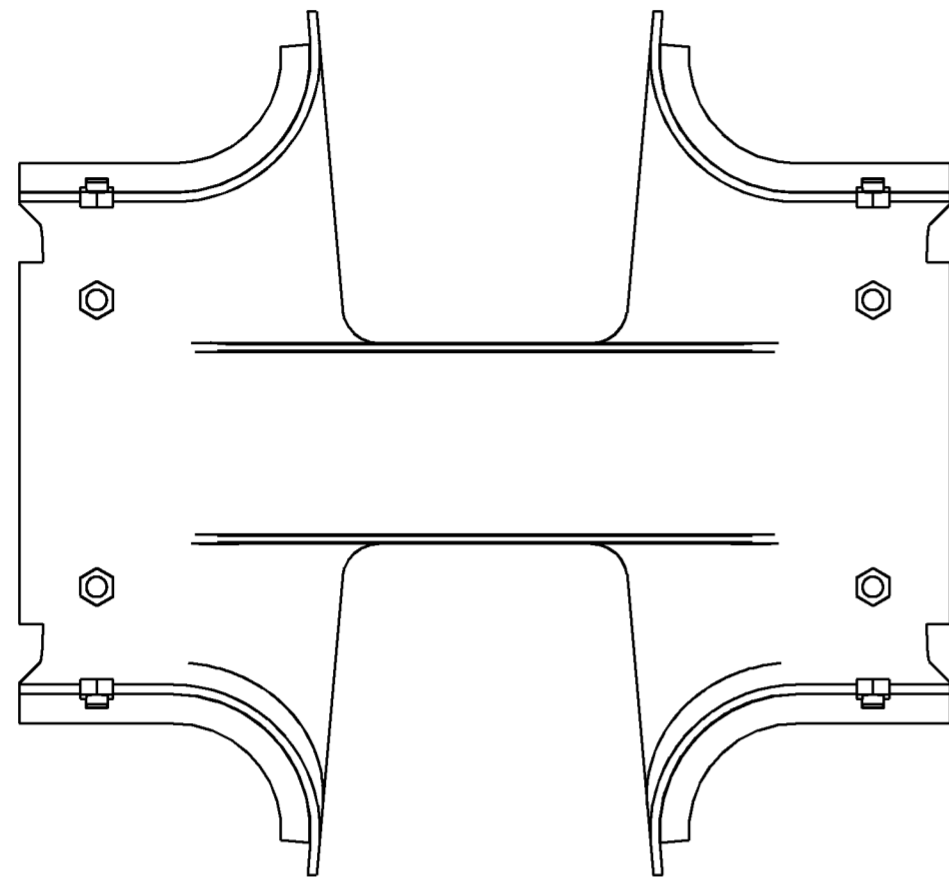


REV	MCO	DWN	DATE
A	20033855	TH	12-AUG-99
B	20273746	GCC	25-SEP-09



SCALE 0.500

NOTES:

- MATERIAL IS SELF EXTINGUISHING WITH A UL RATING OF 94 V-0.

CATALOG NO.	COLOR
FGS-MDSP-2B	YELLOW
FGSO-MDSP-2B	ORANGE
FGSB-MDSP-2B	BLACK



INFORMATION ON THIS DOCUMENT IS PROPRIETARY TO ADC AND SHALL NOT BE USED, COPIED, REPRODUCED OR DISCLOSED IN WHOLE OR IN PART WITHOUT WRITTEN CONSENT OF ADC.

ALL DIMS AND TOLERANCES ARE INCHES UNLESS OTHERWISE SPECIFIED

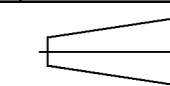
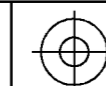
DO NOT SCALE DRAWING

TITLE
DWNSTP, 4X6, DUAL, 4X4
INSTALLATION DRAWING

DRAWING NUMBER
1070356

SHT. 1 OF 1

ENGR: T. HAATAJA
DWN: T. HAATAJA



**DIMENSIONS IN INCHES
THIRD ANGLE PROJECTION**