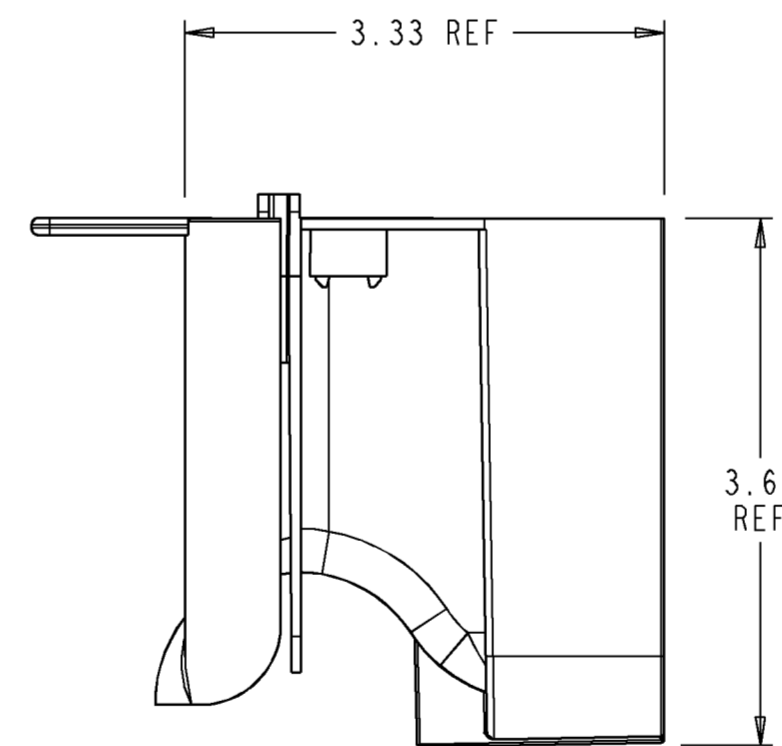
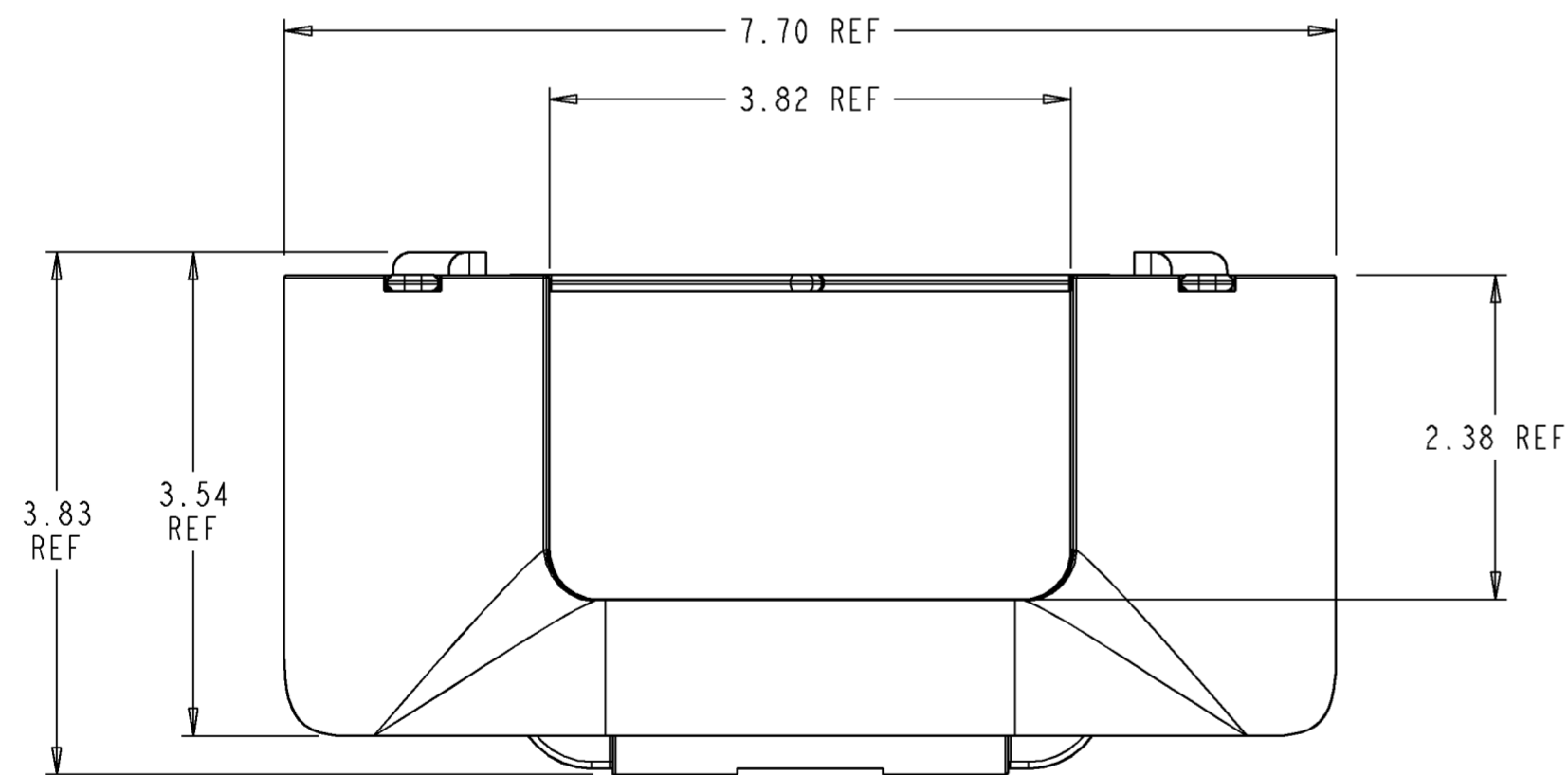
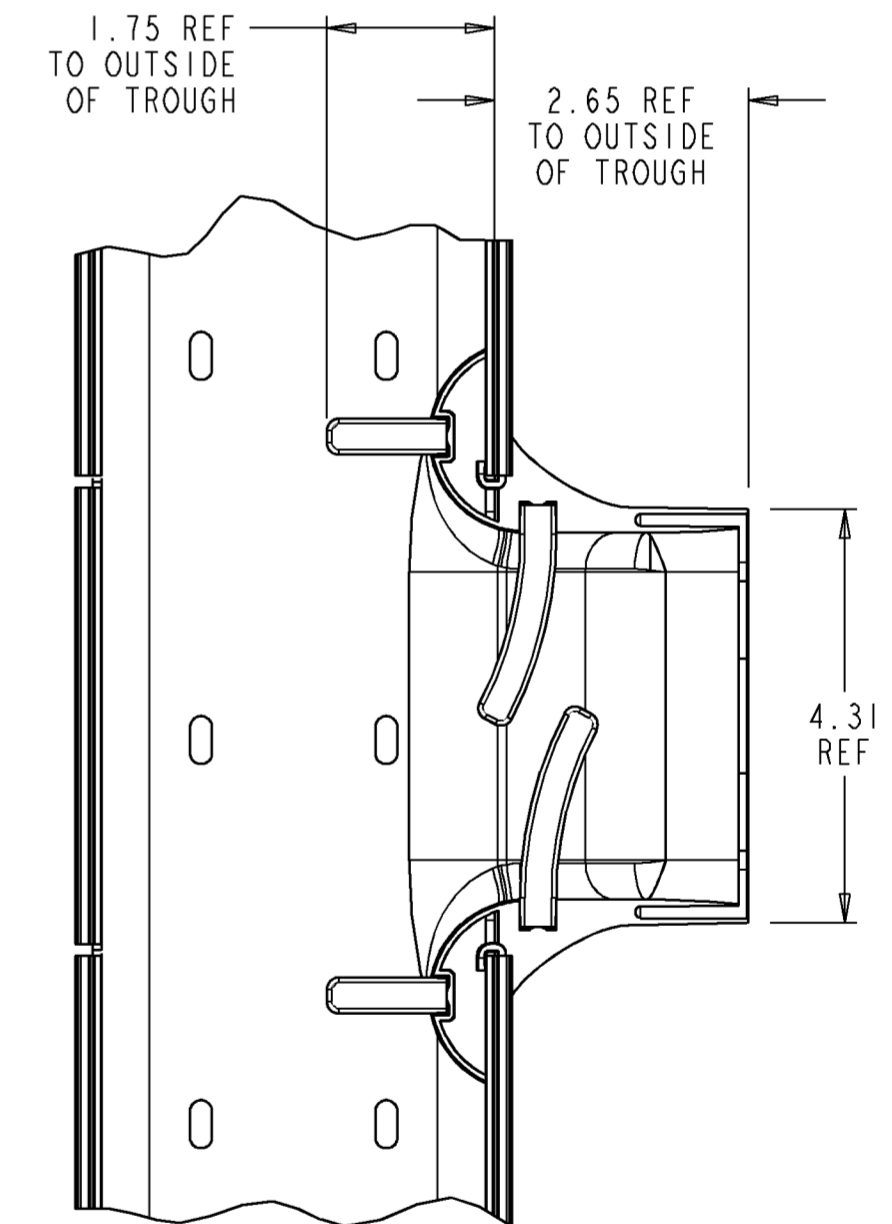
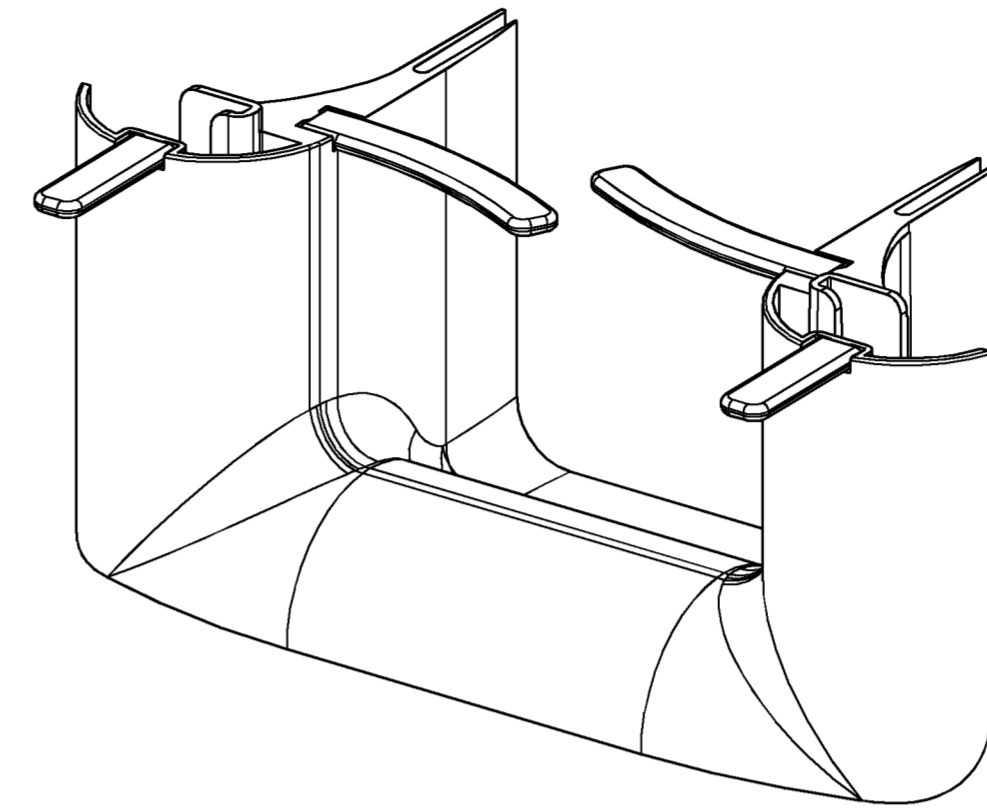
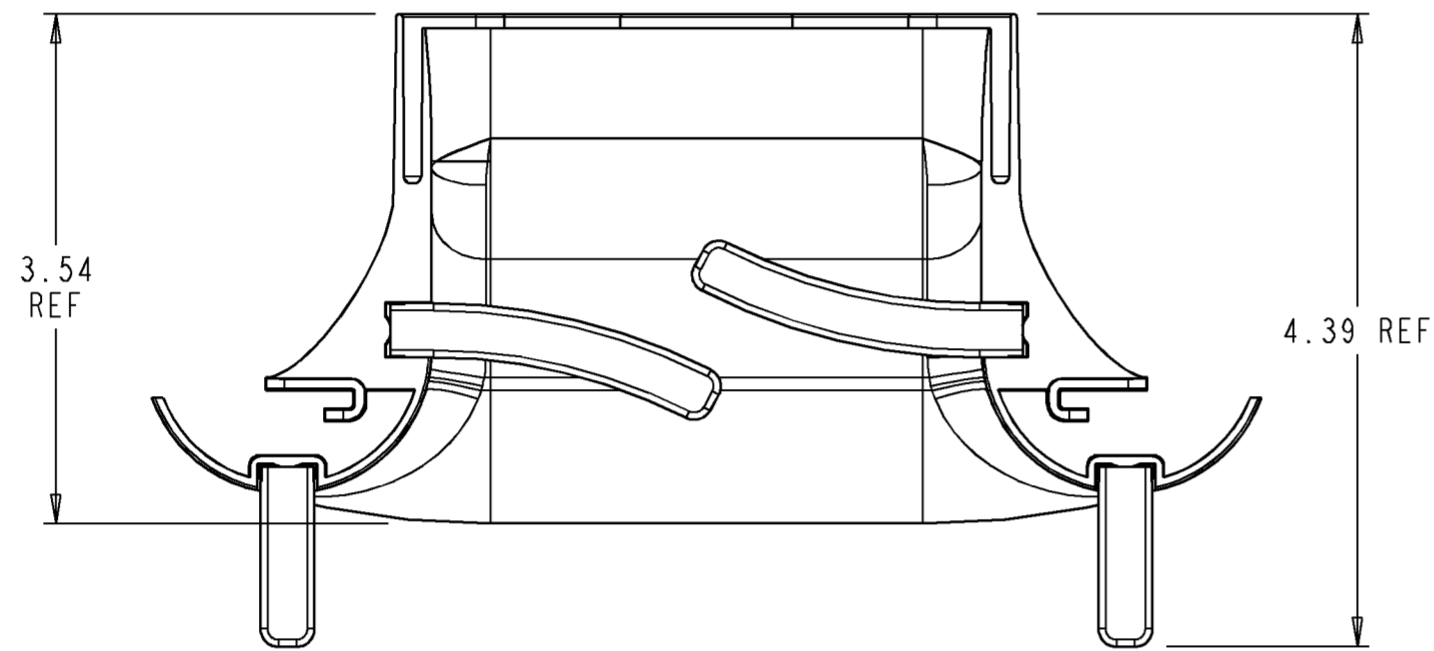


REV	MCO	DWN	DATE
A	20271559	RCR	14-OCT-09
B	20293873	EEG	04-OCT-10



FGSB-TRMP44	BLACK
FGS-TRMP44	YELLOW
CATALOG NUMBER	COLOR



INFORMATION ON THIS DOCUMENT IS PROPRIETARY TO ADC AND SHALL NOT BE USED, COPIED, REPRODUCED OR DISCLOSED IN WHOLE OR IN PART WITHOUT WRITTEN CONSENT OF ADC.

ALL DIMS AND TOLERANCES .XX:±N/A ARE INCHES UNLESS .XXX:±N/A OTHERWISE SPECIFIED ANGULAR:±N/A

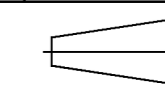
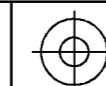
DO NOT SCALE DRAWING

TITLE
INSTALLATION DRAWING
FGS TRUMPET 4" TO 4"X4"

C SIZE	DRAWING NUMBER 1467489	B REV
--------	---------------------------	-------

ENGR: DEREK SAYRES
DWN: DEREK SAYRES

SHT. 1 OF 2



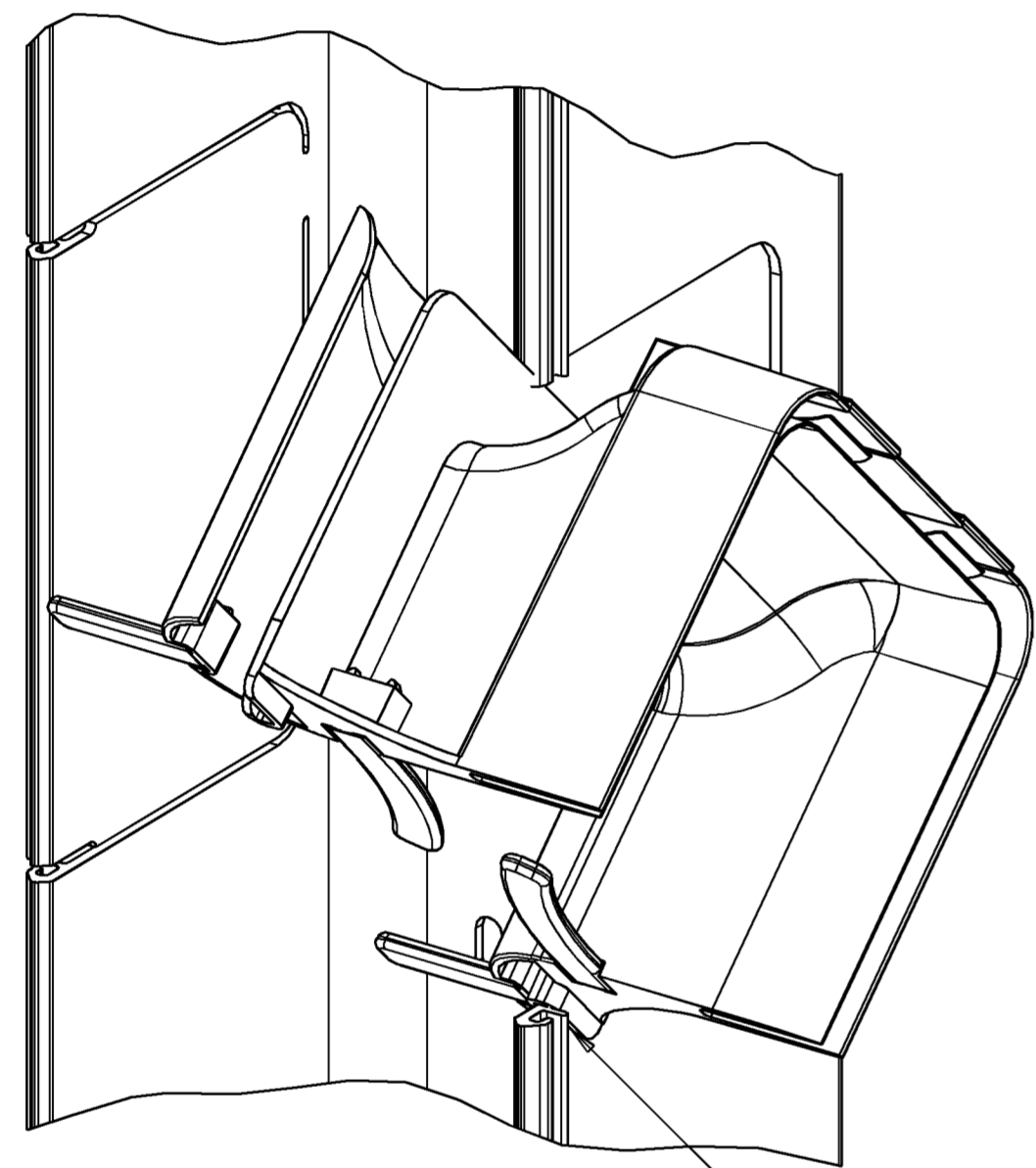
**DIMENSIONS IN INCHES
THIRD ANGLE PROJECTION**

A

B

C

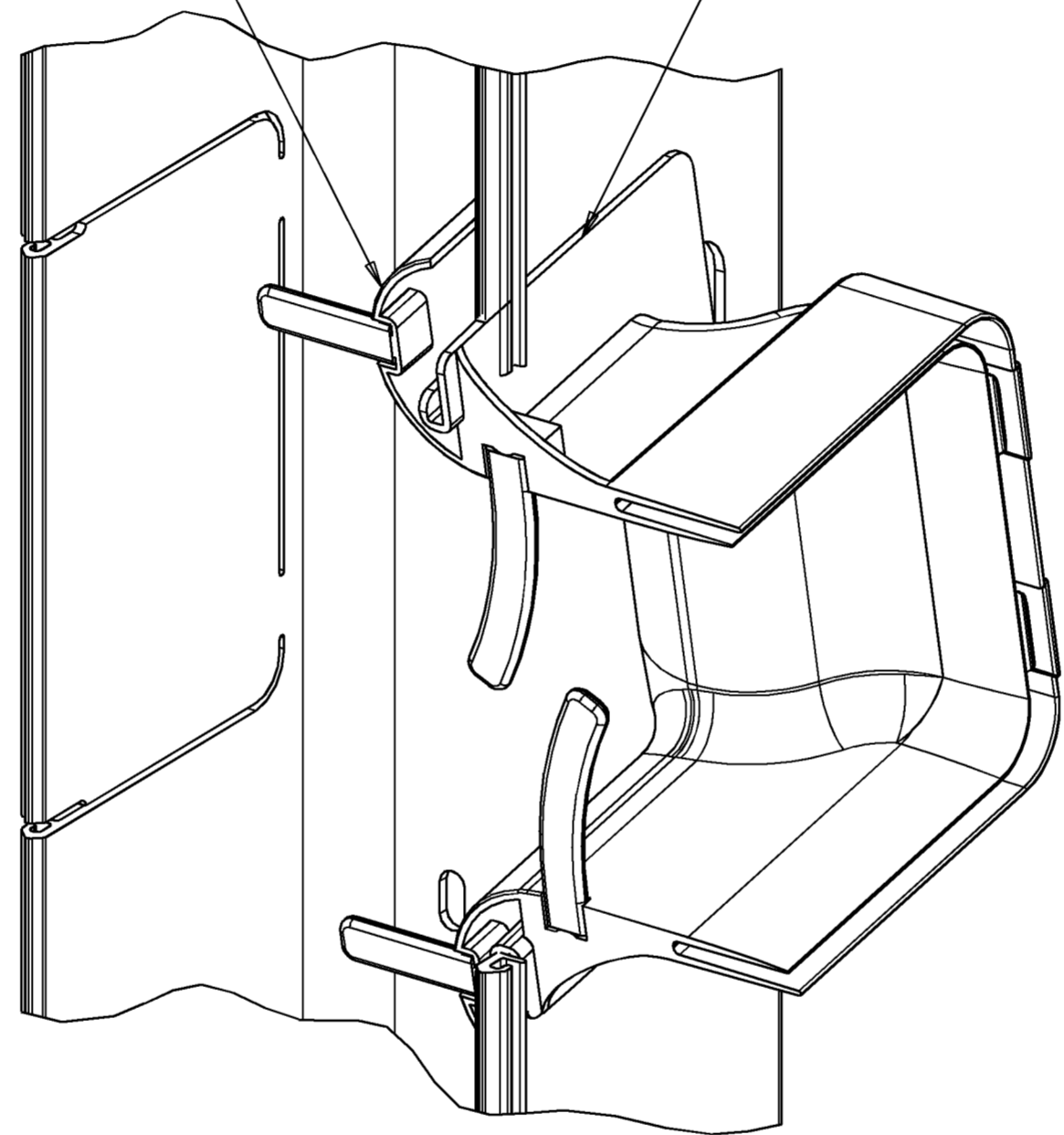
D



STEP 1

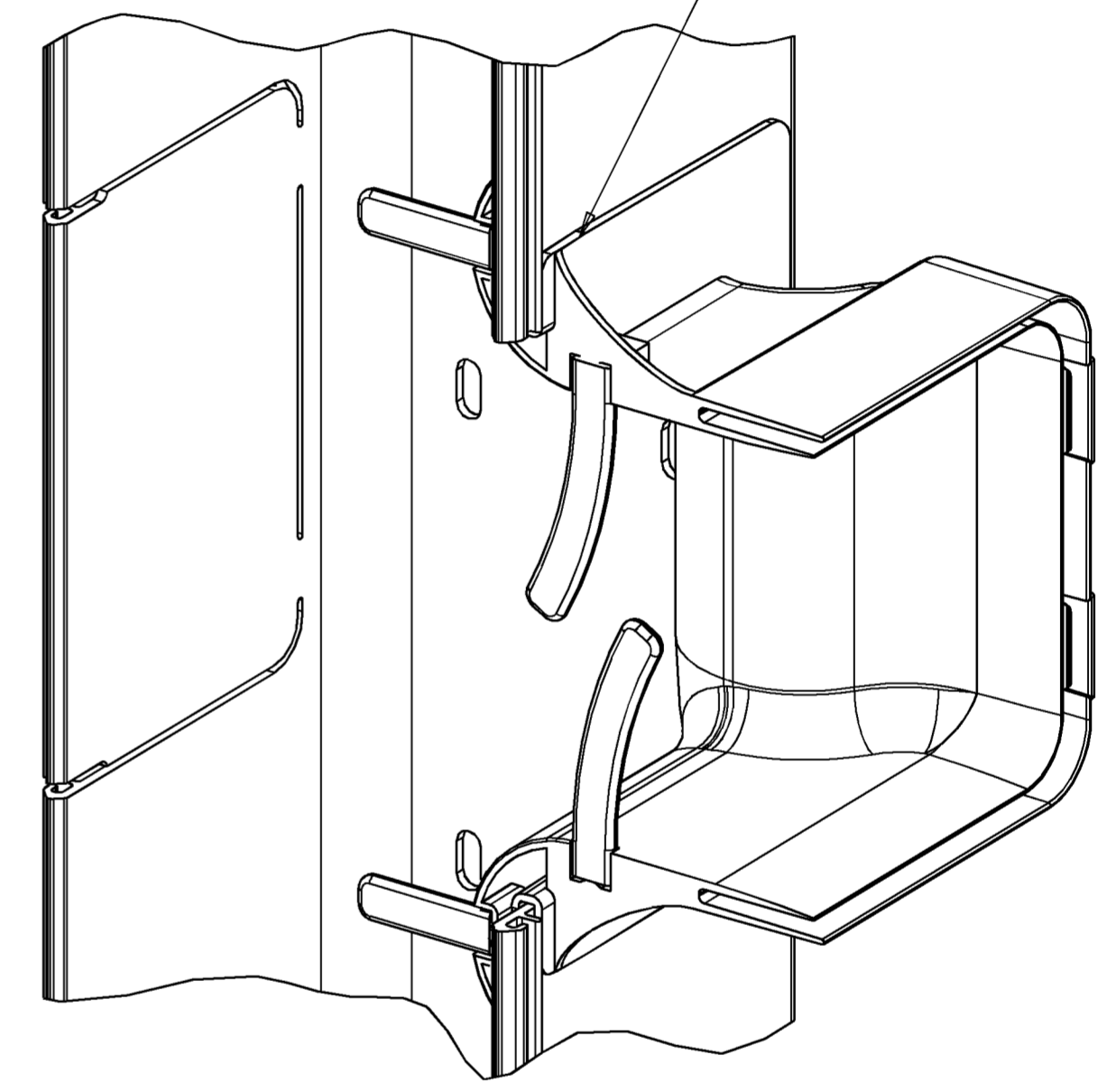
HOOK THIS AREA UNDER TROUGH & USE AS A PIVOT POINT

THIS AREA MUST BE FLEXED TOWARD CENTER OF TROUGH DURING INSTALLATION



STEP 2

THIS AREA MUST BE FLEXED OUTWARD DURING INSTALLATION TO GO AROUND HINGE FEATURE ON TROUGH



STEP 3

FLEX DOWN TO WRAP AROUND TROUGH



INFORMATION ON THIS DOCUMENT IS PROPRIETARY TO ADC AND SHALL NOT BE USED, COPIED, REPRODUCED OR DISCLOSED IN WHOLE OR IN PART WITHOUT WRITTEN CONSENT OF ADC.

ALL DIMS AND TOLERANCES ARE INCHES UNLESS OTHERWISE SPECIFIED
 .XX:±N/A
 .XXX:±N/A
 ANGULAR:±N/A

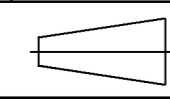
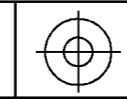
TITLE
 INSTALLATION DRAWING
 FGS TRUMPET 4" TO 4"X4"

DRAWING NUMBER
 1467489

DO NOT SCALE DRAWING

ENGR: DEREK SAYRES
 DWN: DEREK SAYRES

SHT. 2 OF 2



**DIMENSIONS IN INCHES
 THIRD ANGLE PROJECTION**

A

B

C

1

2

3

4

1

2

3

4