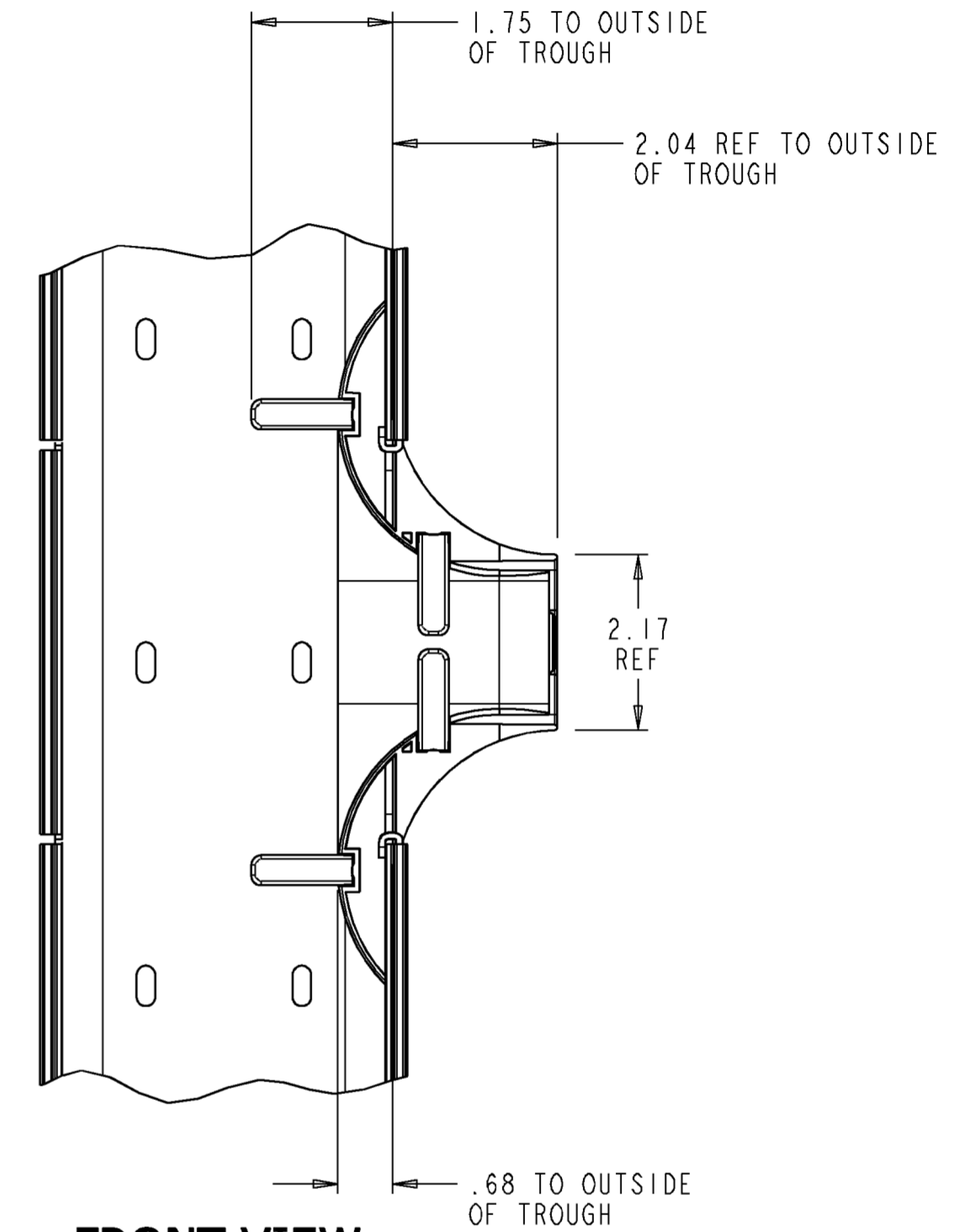
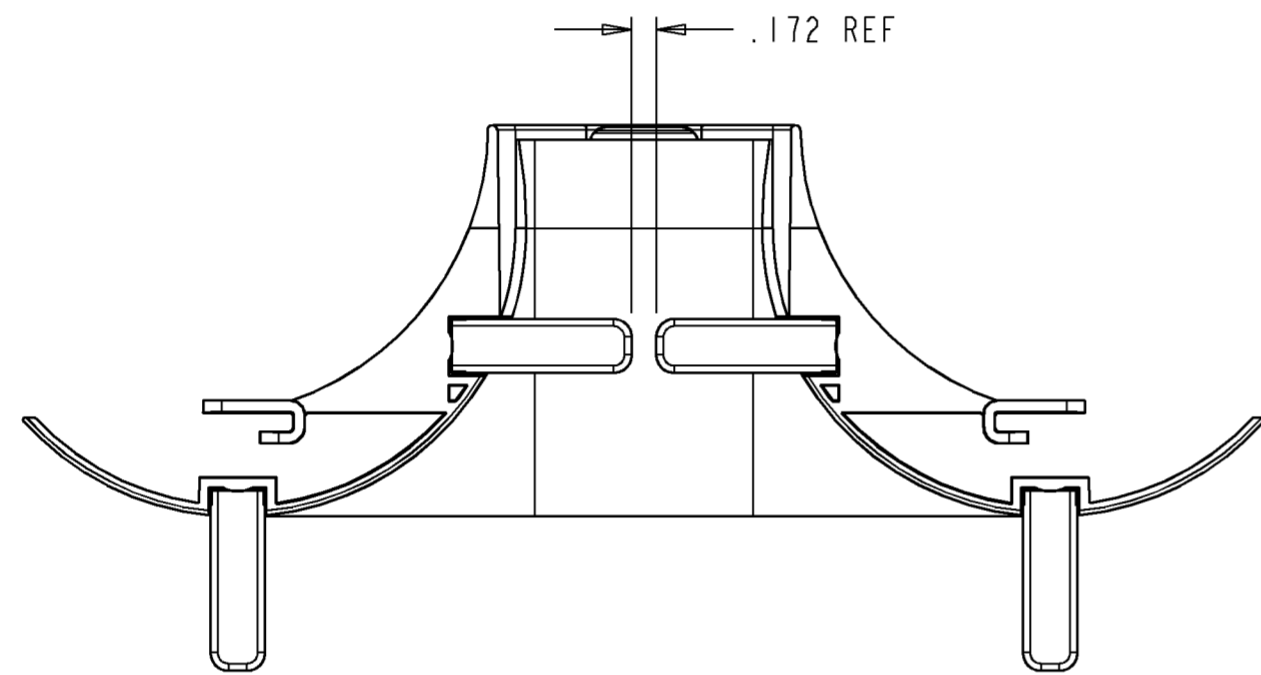
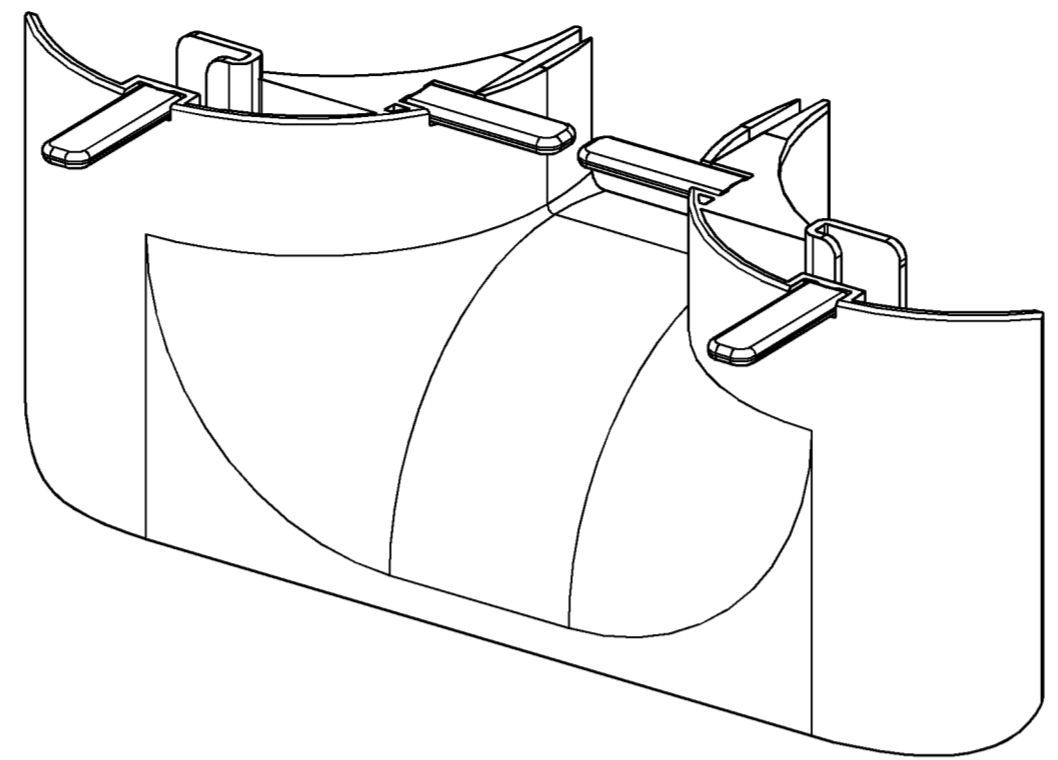
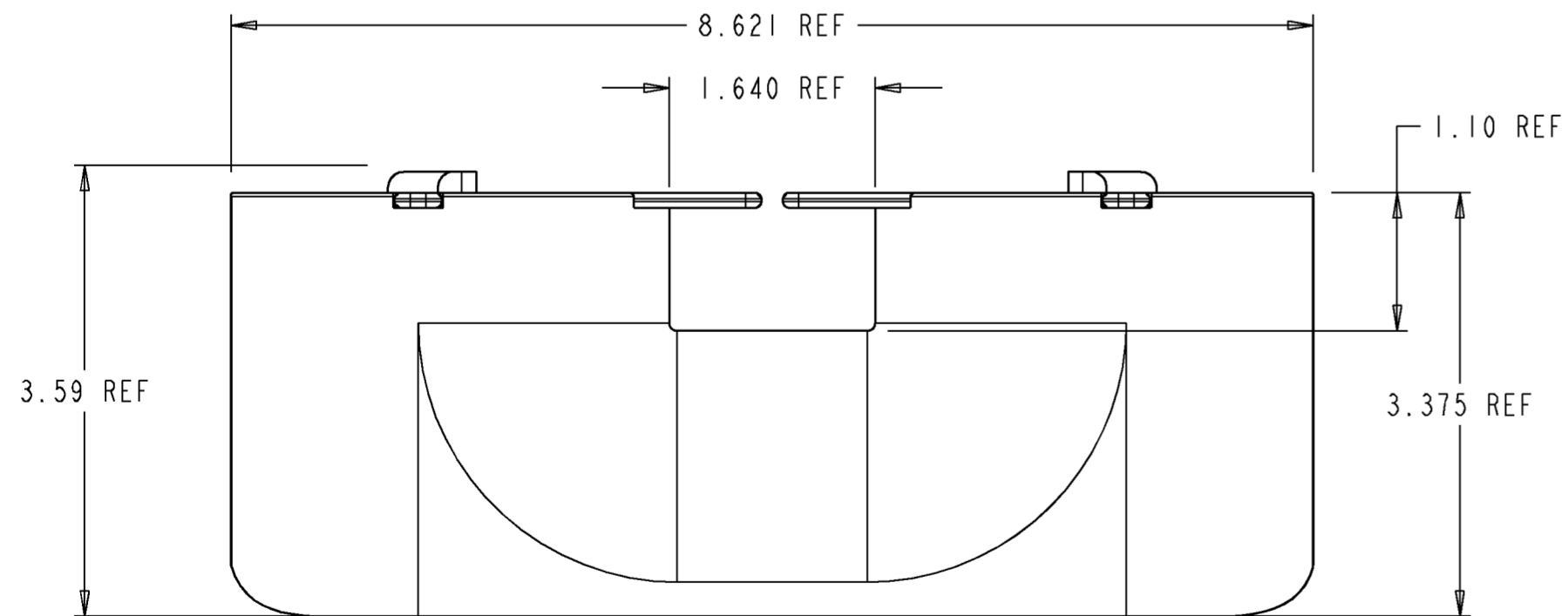
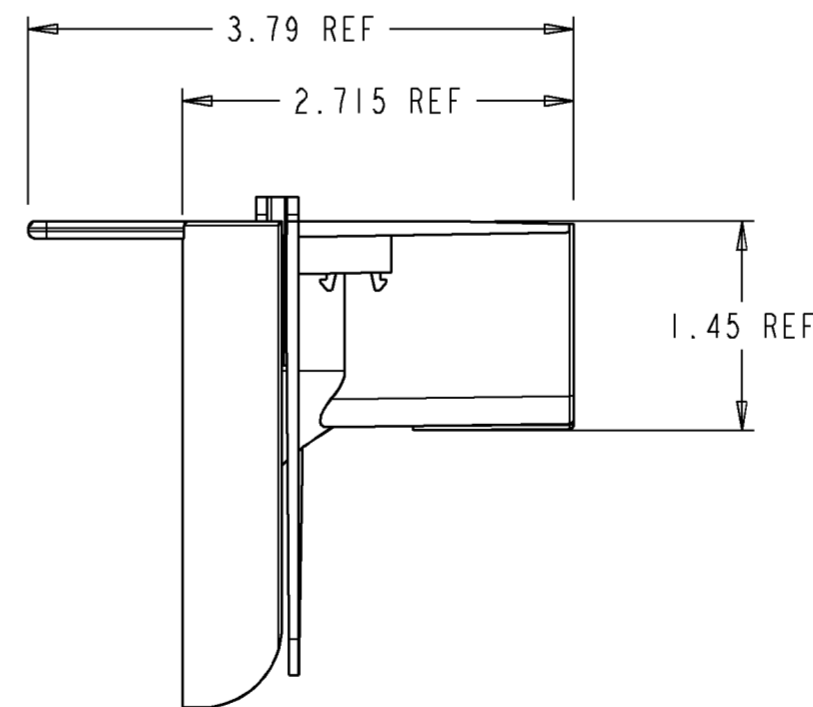


REV	MCO	DWN	DATE
A	20238240	DGS	17-APR-08
B	20293873	EEG	24-SEP-10



FRONT VIEW
 INSTALLED ON A 4" TROUGH
 SCALE 0.500



FGSB-TRMP42	BLACK
FGSO-TRMP42	ORANGE
FGS-TRMP42	YELLOW
CATALOG NUMBER	COLOR



INFORMATION ON THIS DOCUMENT IS PROPRIETARY TO ADC AND SHALL NOT BE USED, COPIED, REPRODUCED, OR DISCLOSED IN WHOLE OR IN PART WITHOUT WRITTEN CONSENT OF ADC.		TITLE INSTALLATION DRAWING VERTICAL FGS TRUMPET 4" TO 2" X 2"	
ALL DIMS AND TOLERANCES ARE INCHES UNLESS OTHERWISE SPECIFIED	.XX:±N/A .XXX:±N/A ANGULAR:±N/A	C SIZE	DRAWING NUMBER 1438630
DO NOT SCALE DRAWING		ENGR: DEREK SAYRES DWN: DEREK SAYRES	B REV
		SHT. 1 OF 2	

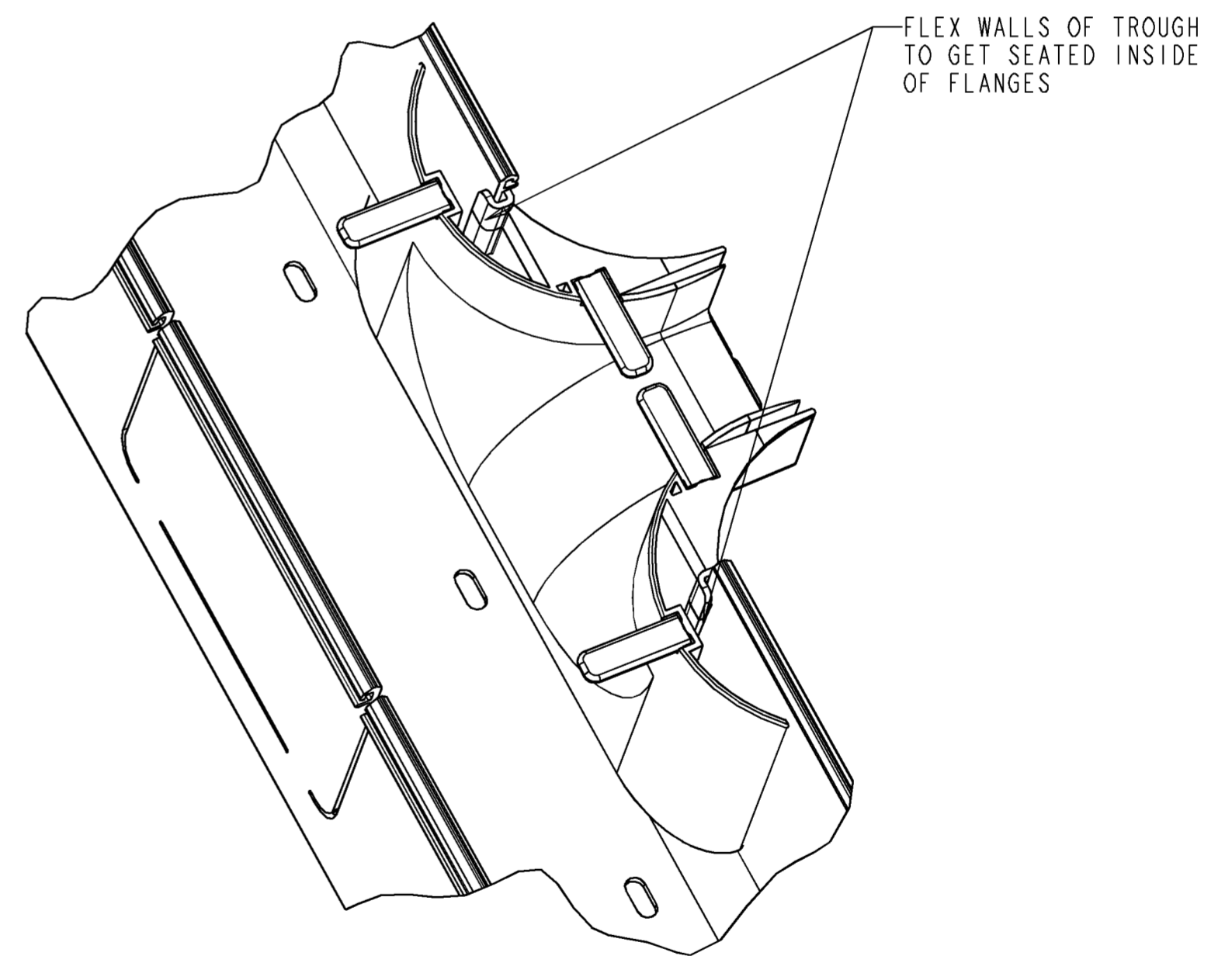
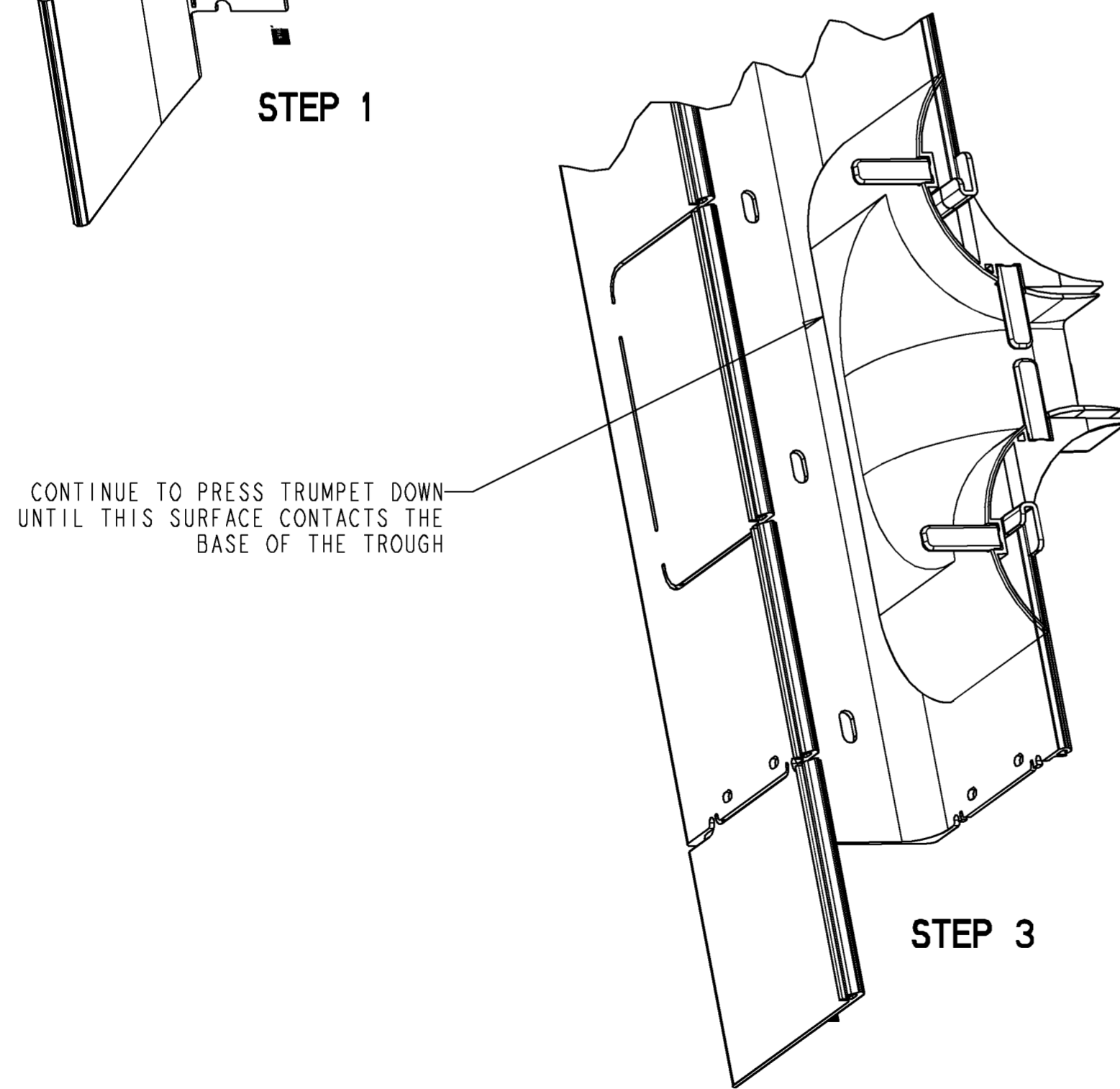
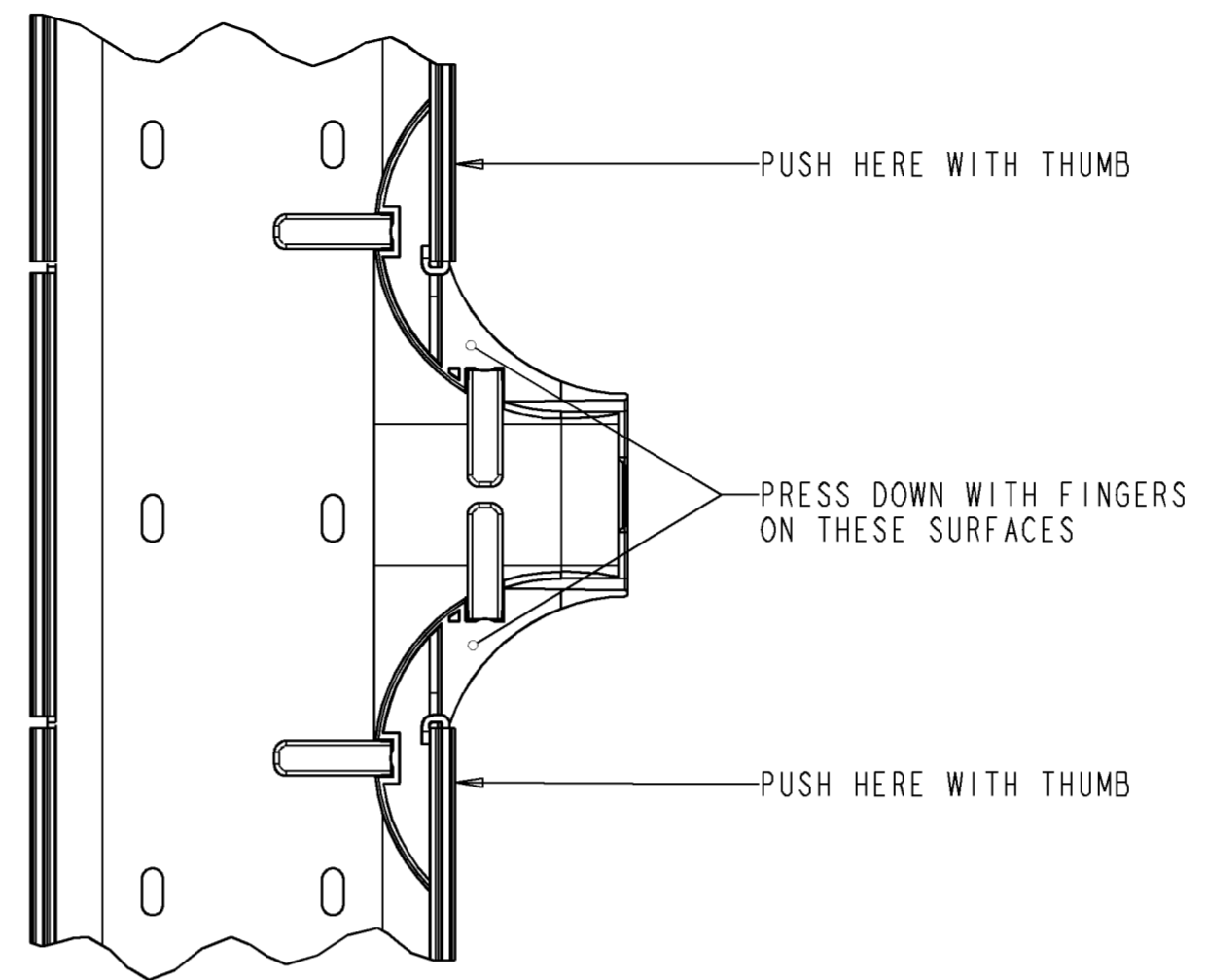
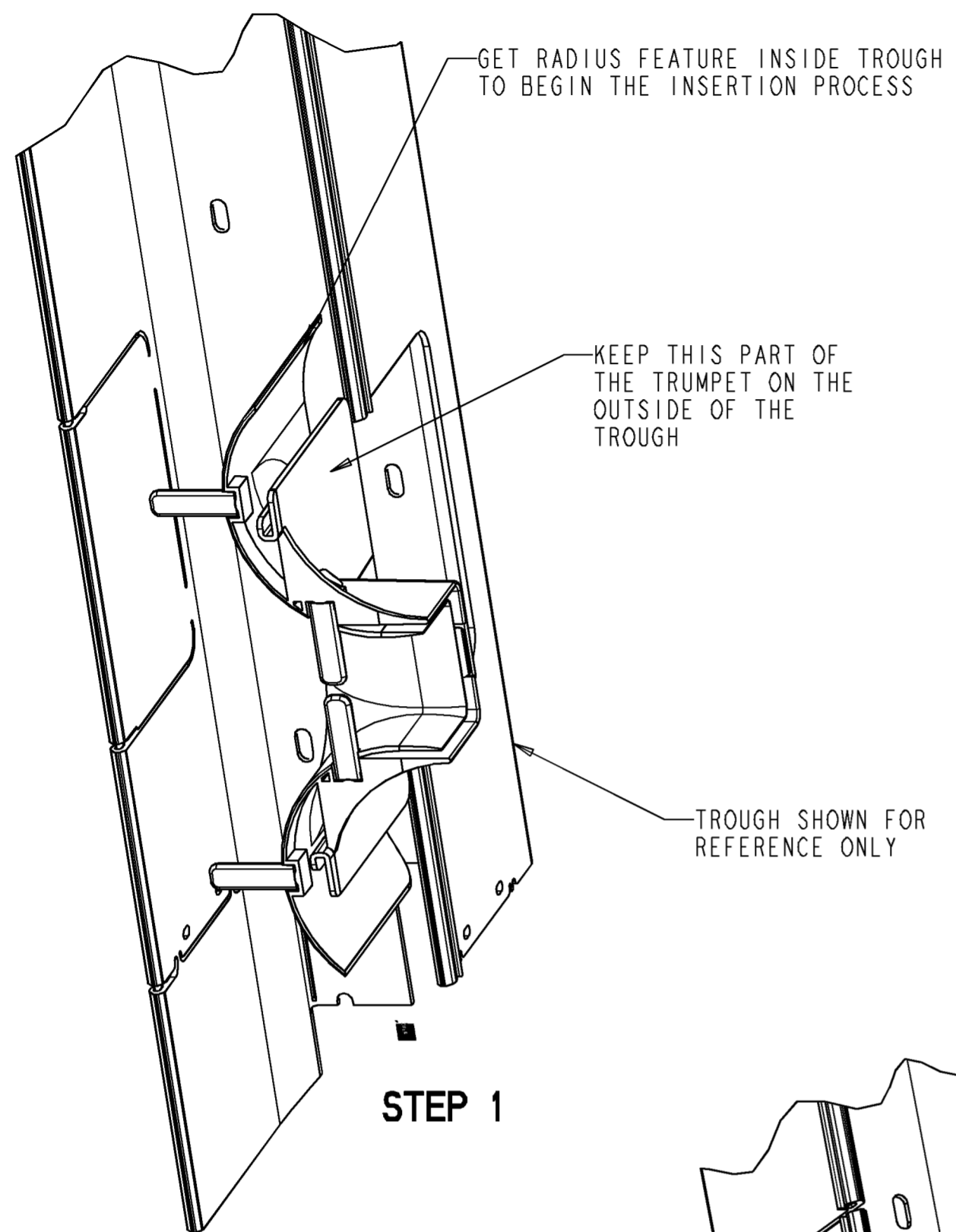
DIMENSIONS IN INCHES
 THIRD ANGLE PROJECTION

A

B

C

D



INFORMATION ON THIS DOCUMENT IS PROPRIETARY TO ADC AND SHALL NOT BE USED, COPIED, REPRODUCED OR DISCLOSED IN WHOLE OR IN PART WITHOUT WRITTEN CONSENT OF ADC.

ALL DIMS AND TOLERANCES ARE INCHES UNLESS OTHERWISE SPECIFIED

.XX:±.XX
.XXX:±.XXX
ANGULAR:±N/A

TITLE INSTALLATION DRAWING
VERTICAL FGS TRUMPET
4" TO 2" X 2"

DRAWING NUMBER 1438630

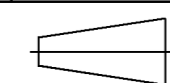
C SIZE

B REV

DO NOT SCALE DRAWING

ENGR: DEREK SAYRES
DWN: DEREK SAYRES

SHT. 2 OF 2



**DIMENSIONS IN INCHES
THIRD ANGLE PROJECTION**

A

B

C

1

2

3

4

1

2

3

4