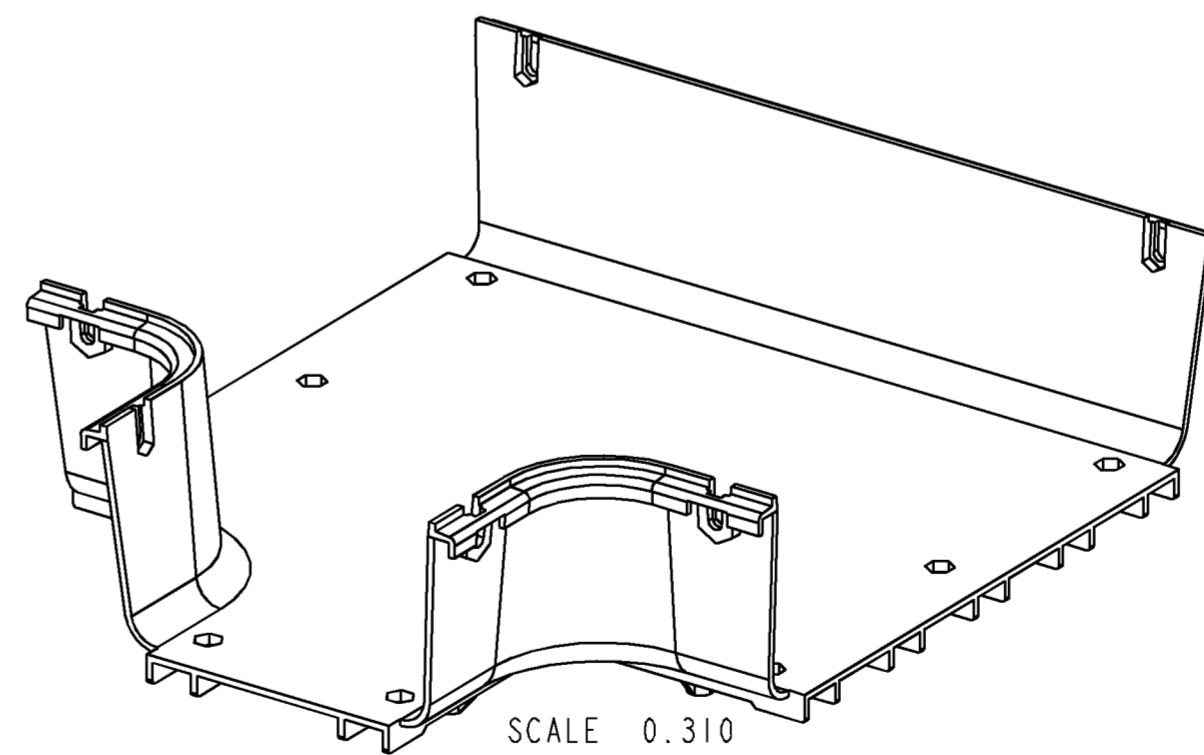
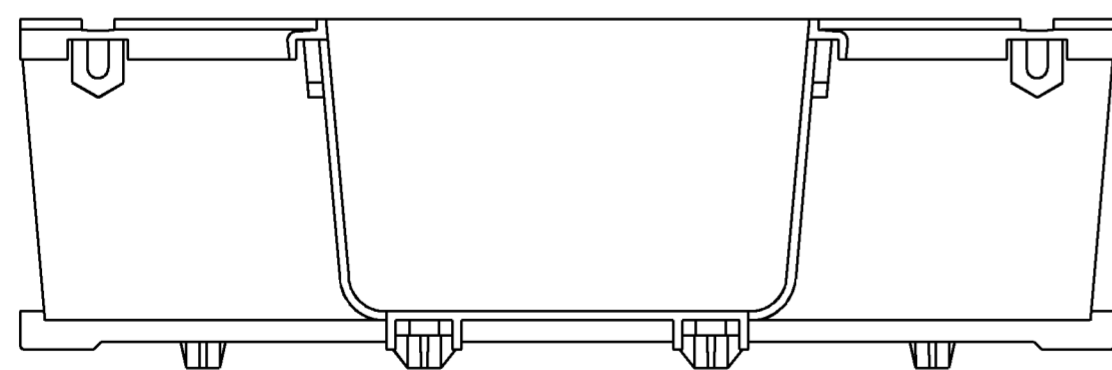
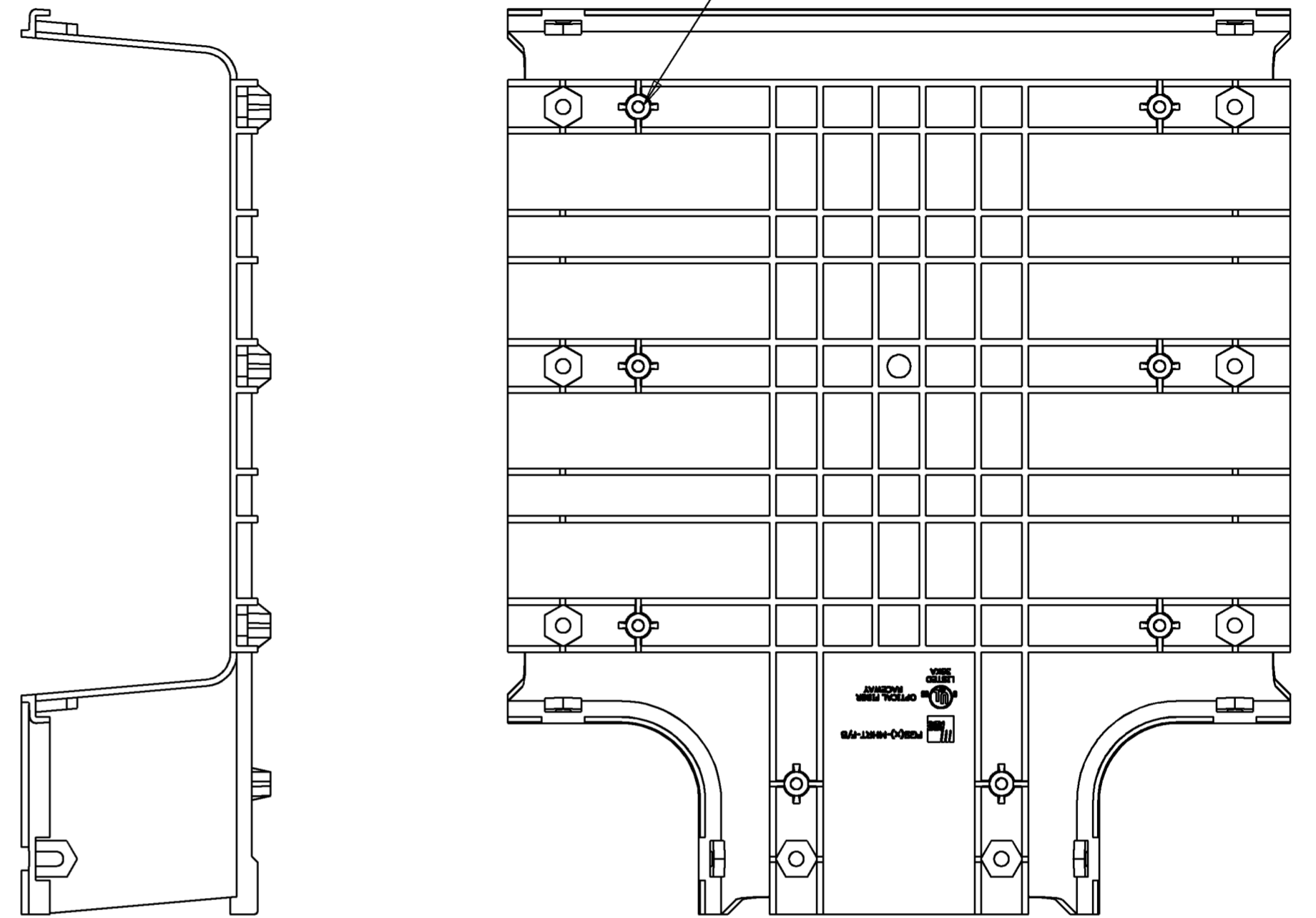
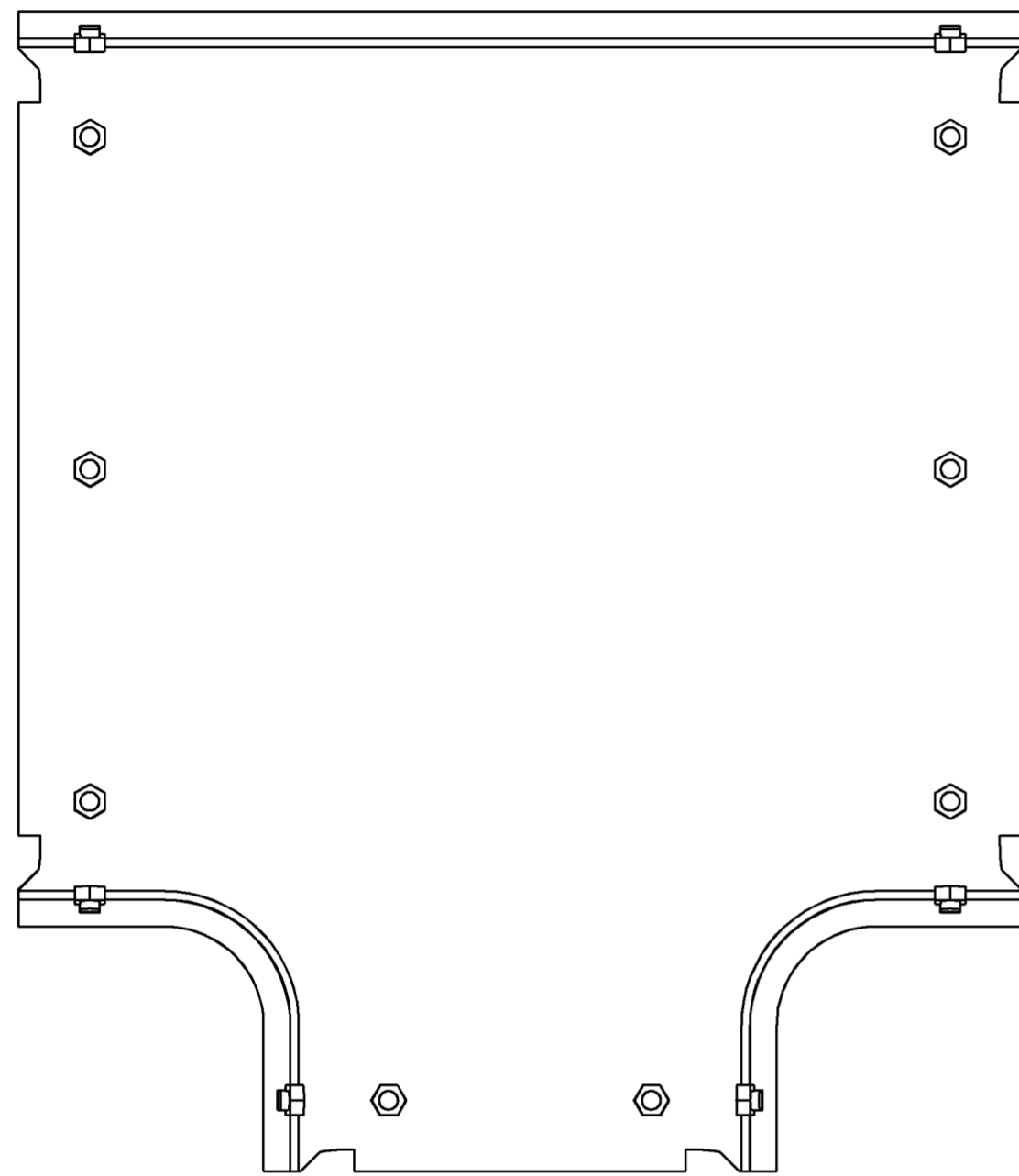


REV	MCO	DWN	DATE
A	20019792	TH	12/28/98
B	20236325	RCR	28-MAR-08



CATALOG NO.	COLOR
FGS-MHRT-F/B	YELLOW
FGSO-MHRT-F/B	ORANGE
FGSB-MHRT-F/B	BLACK

NOTES:
 1. MATERIAL IS SELF EXTINGUISHING WITH A UL 94 RATING OF V-0.



INFORMATION ON THIS DOCUMENT IS PROPRIETARY TO ADC AND SHALL NOT BE USED, COPIED, REPRODUCED OR DISCLOSED IN WHOLE OR IN PART WITHOUT WRITTEN CONSENT OF ADC.		TITLE TEE, HORIZ 4X12 4X6 EXIT, INSTL DWG	
ALL DIMS AND TOLERANCES ARE INCHES UNLESS OTHERWISE SPECIFIED	.XX:±N/A .XXX:±N/A ANGULAR:±N/A	C SIZE	DRAWING NUMBER 1044496
DO NOT SCALE DRAWING	ENGR: T. HAATAJA DWN: T. HAATAJA	B REV	
		SHT. 1 OF 1	

DIMENSIONS IN INCHES
 THIRD ANGLE PROJECTION